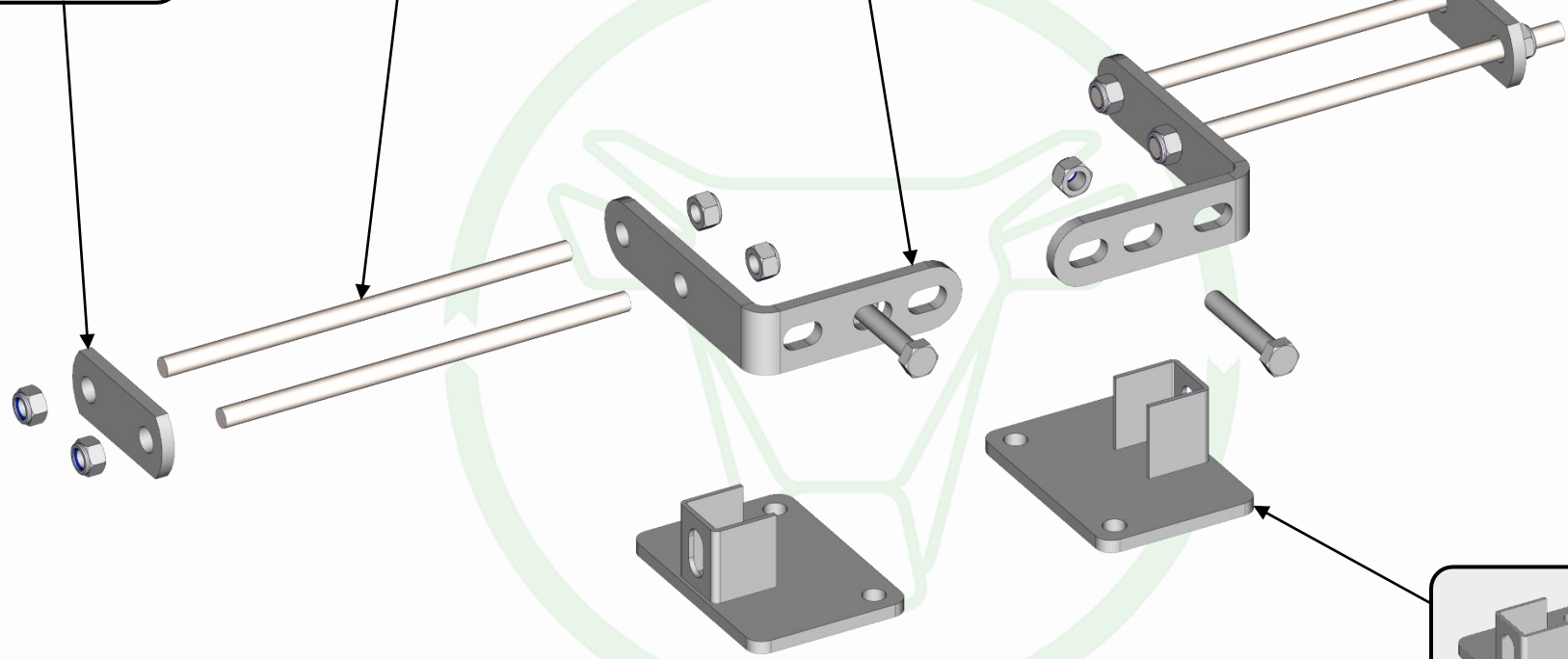


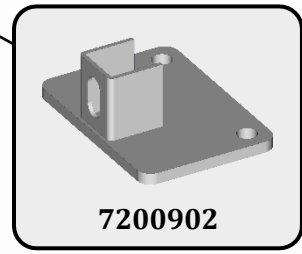
AJ7283A

9870010

AJ7270A



SAC 413*



7200902



BX9904 - BRACKET SULLY STABLE FRONT/WALL

THIS DOCUMENT IS THE EXCLUSIVE PROPERTY OF JOURDAIN SAS, IT IS PROVIDED ON A CONFIDENTIAL BASIS.
IT MUST NEITHER BE COPIED, NOR DISCLOSED TO A THIRD PARTY WITHOUT OUR WRITTEN AUTHORISATION

FTB
14/10/2021