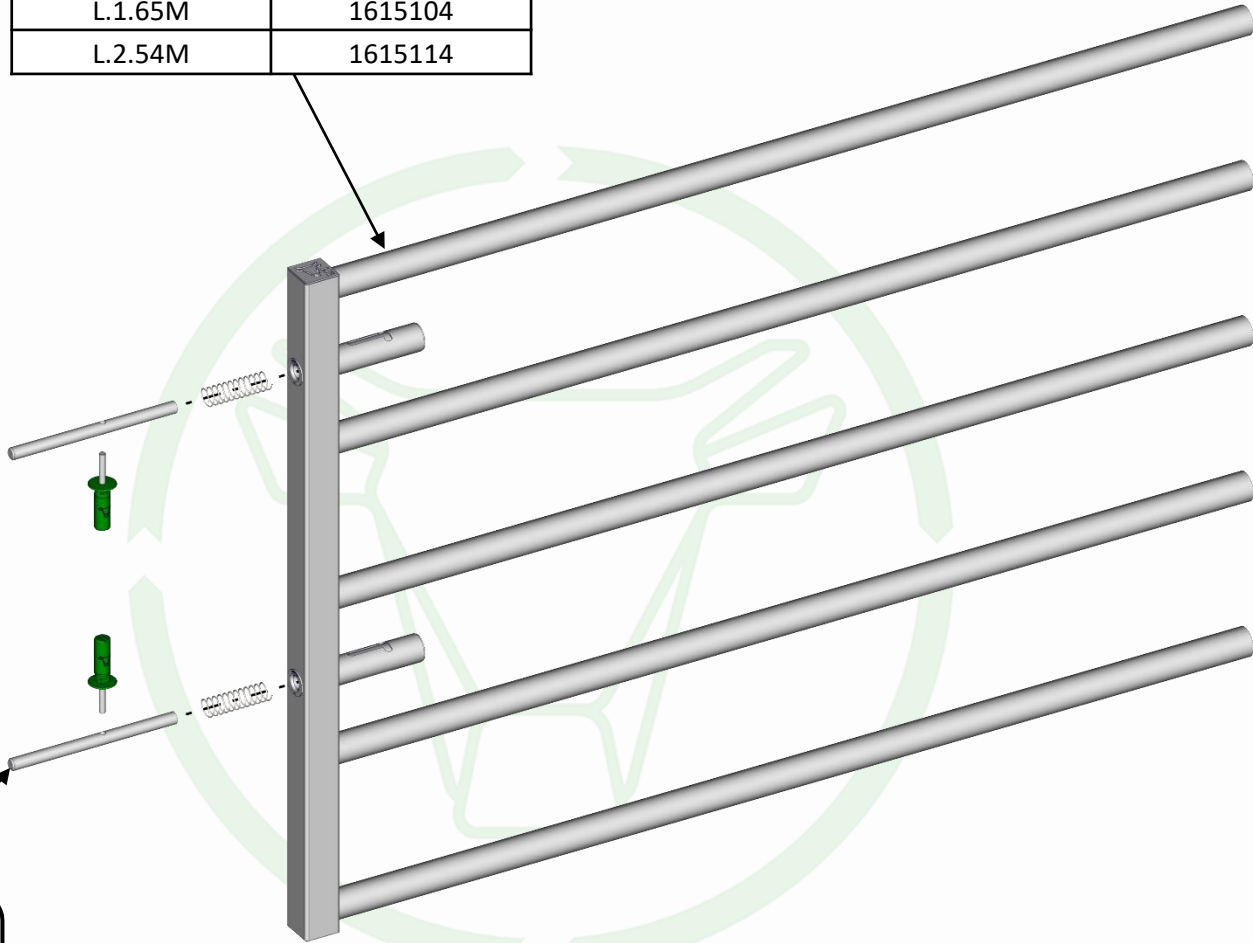
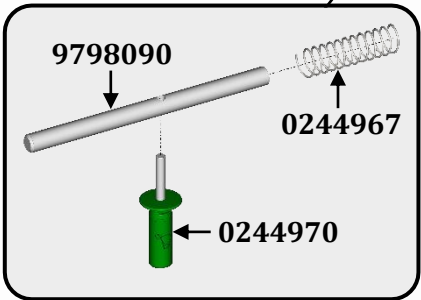


L.1.65M	1615104
L.2.54M	1615114



SAC 182*



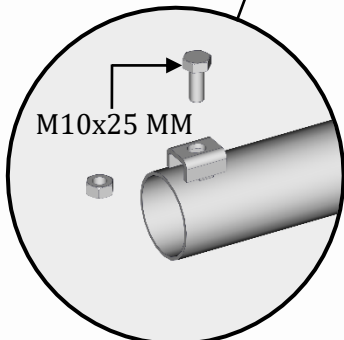
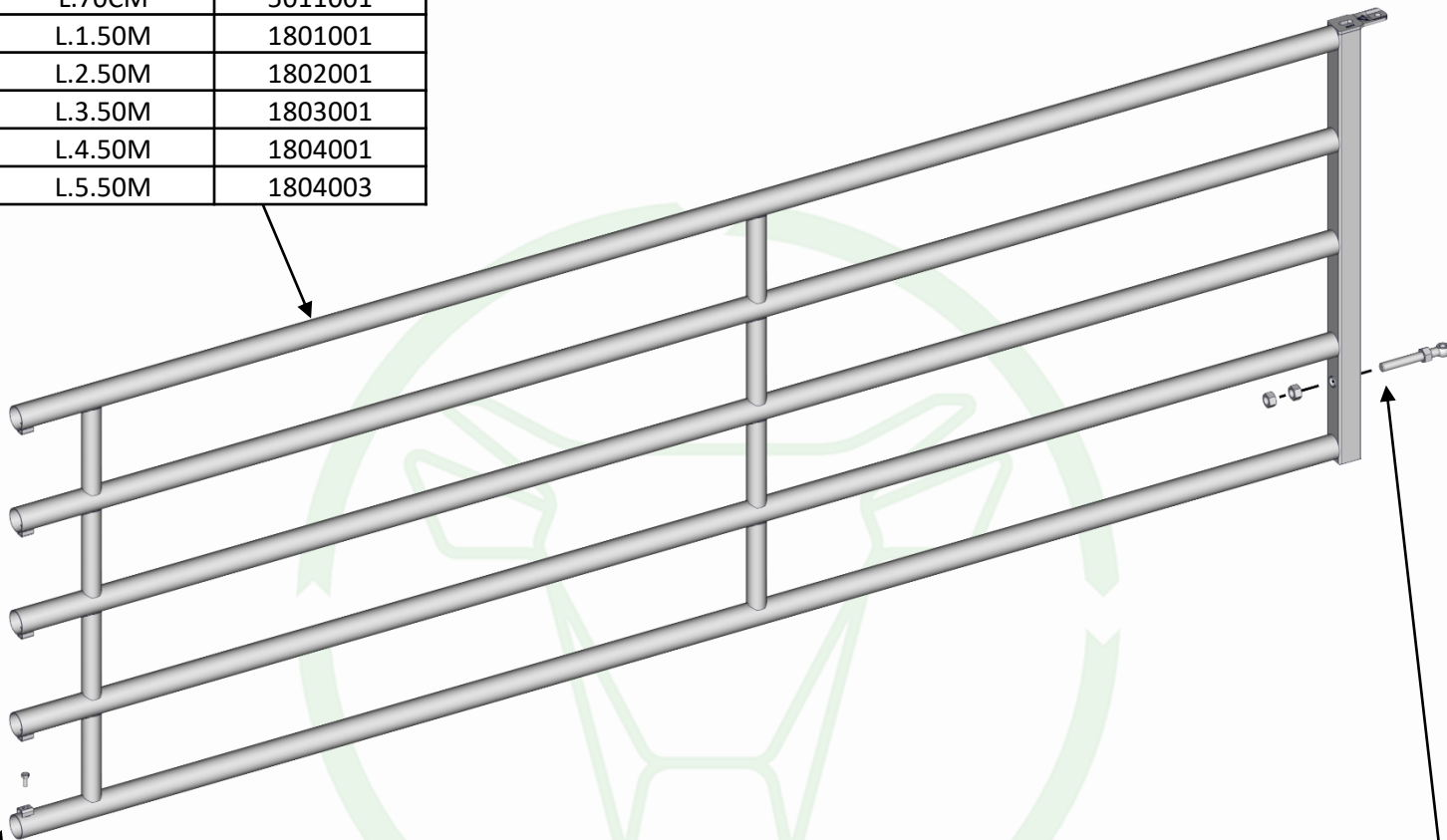
FRONT GATE AUTOLOCK EX5

THIS DOCUMENT IS THE EXCLUSIVE PROPERTY OF JOURDAIN SAS, IT IS PROVIDED ON A CONFIDENTIAL BASIS.
IT MUST NEITHER BE COPIED, NOR DISCLOSED TO A THIRD PARTY WITHOUT OUR WRITTEN AUTHORISATION

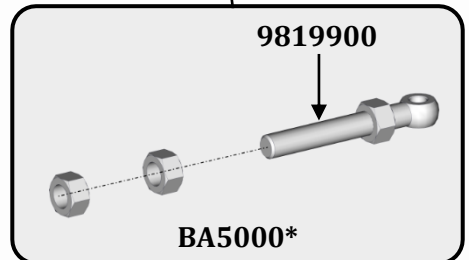
FTB

06/07/2021

L.70CM	5011001
L.1.50M	1801001
L.2.50M	1802001
L.3.50M	1803001
L.4.50M	1804001
L.5.50M	1804003



SAC 119*



BACK GATE EX5

THIS DOCUMENT IS THE EXCLUSIVE PROPERTY OF JOURDAIN SAS, IT IS PROVIDED ON A CONFIDENTIAL BASIS.
IT MUST NEITHER BE COPIED, NOR DISCLOSED TO A THIRD PARTY WITHOUT OUR WRITTEN AUTHORISATION

FTB

30/05/2022