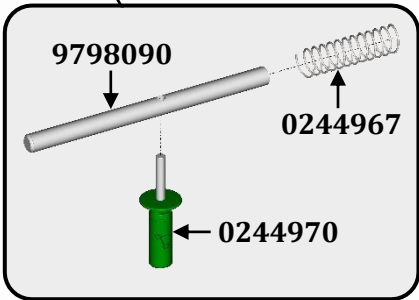
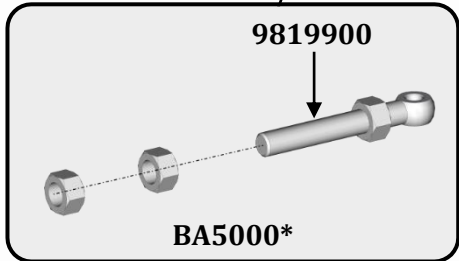
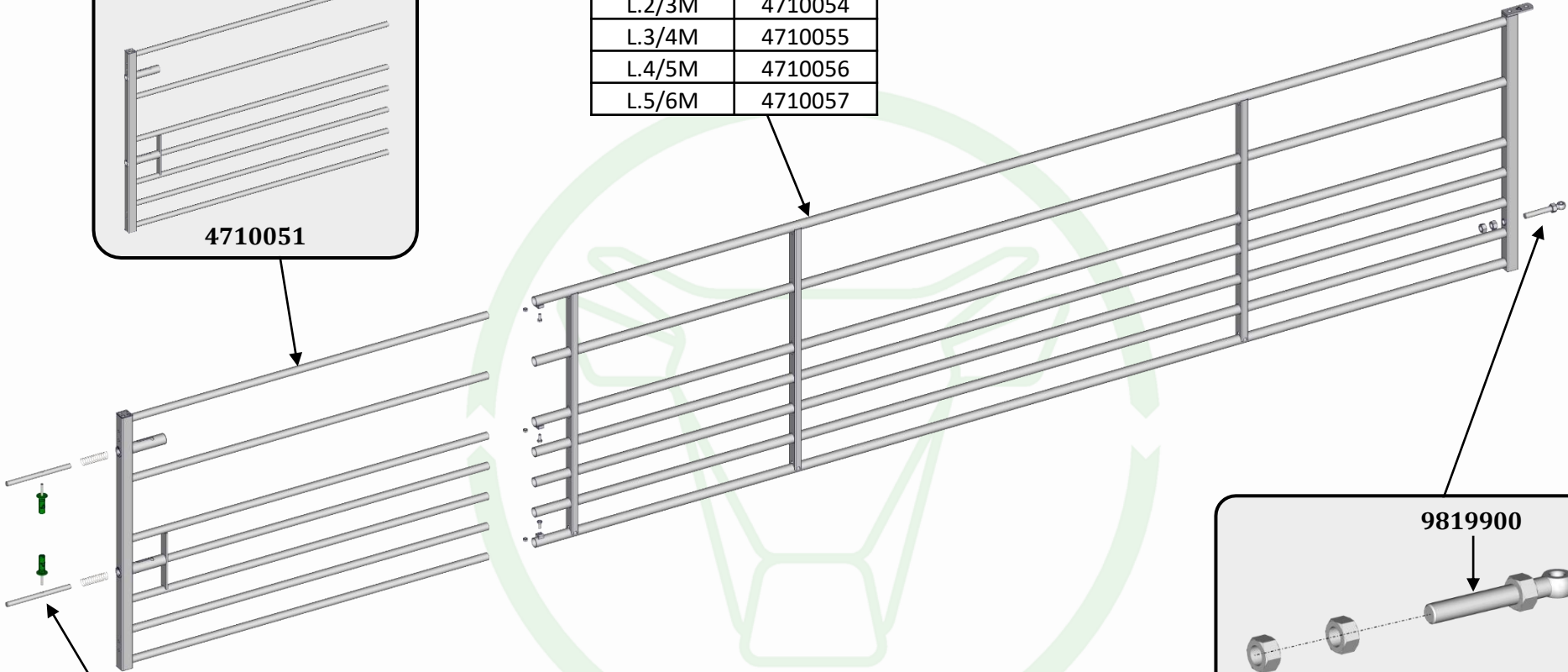


L.1/2M	4710052
L.2/3M	4710054
L.3/4M	4710055
L.4/5M	4710056
L.5/6M	4710057



SAC 119* + **SAC 182***



GATE 7 BARS SMALL ANIMALS

THIS DOCUMENT IS THE EXCLUSIVE PROPERTY OF JOURDAIN SAS, IT IS PROVIDED ON A CONFIDENTIAL BASIS. IT MUST NEITHER BE COPIED, NOR DISCLOSED TO A THIRD PARTY WITHOUT OUR WRITTEN AUTORIZATION

FTB

29/07/2021