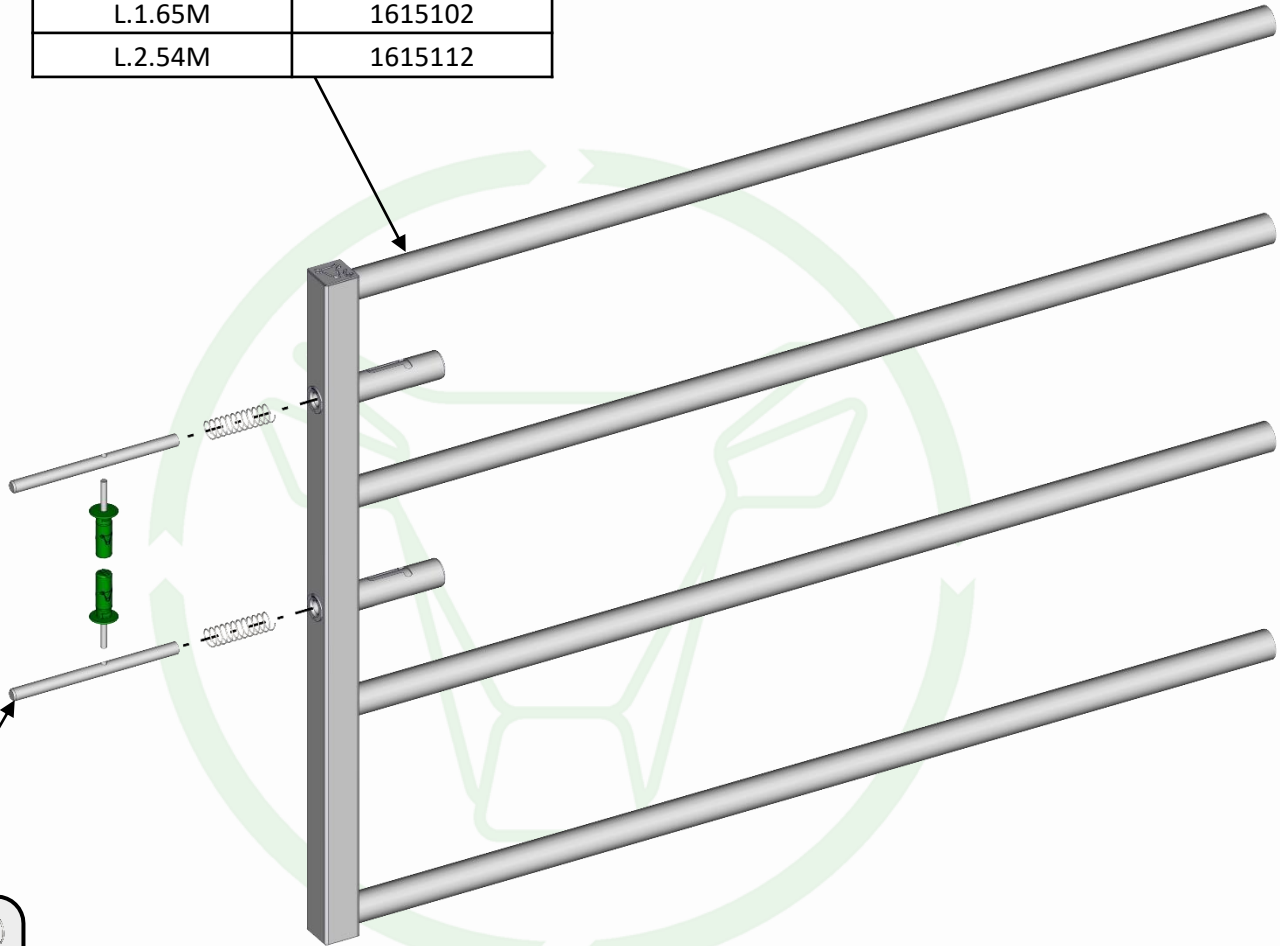
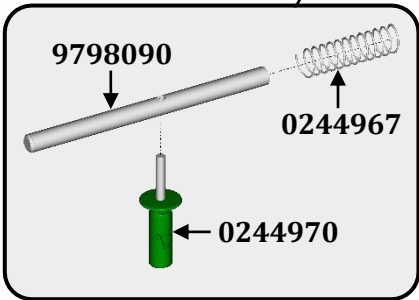


|         |         |
|---------|---------|
| L.1.65M | 1615102 |
| L.2.54M | 1615112 |



**SAC 182\***



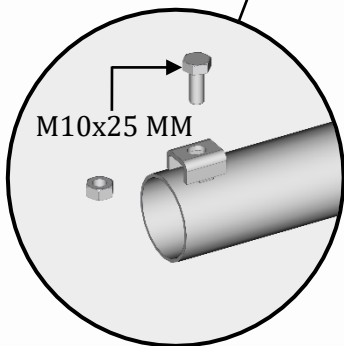
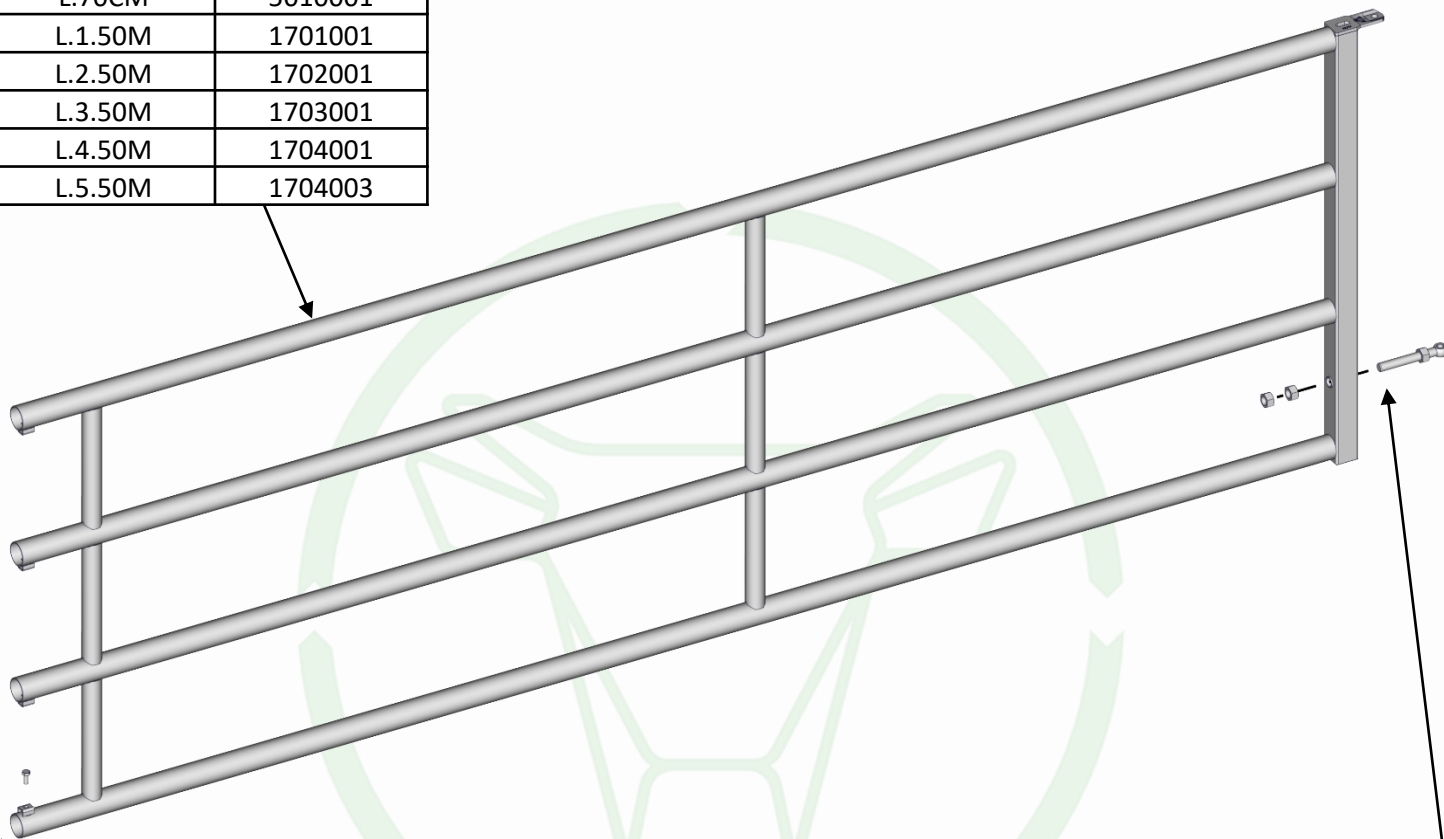
**FRONT GATE AUTOLOCK EX4**

THIS DOCUMENT IS THE EXCLUSIVE PROPERTY OF JOURDAIN SAS, IT IS PROVIDED ON A CONFIDENTIAL BASIS.  
IT MUST NEITHER BE COPIED, NOR DISCLOSED TO A THIRD PARTY WITHOUT OUR WRITTEN AUTORIZATION

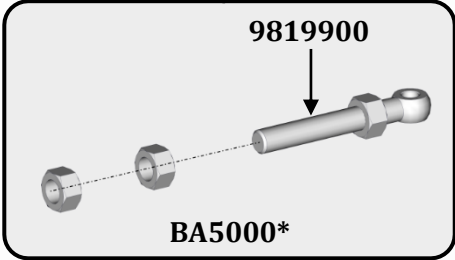
**FTB**

**06/07/2021**

|         |         |
|---------|---------|
| L.70CM  | 5010001 |
| L.1.50M | 1701001 |
| L.2.50M | 1702001 |
| L.3.50M | 1703001 |
| L.4.50M | 1704001 |
| L.5.50M | 1704003 |



**SAC 119\***



**BACK GATE EX4**

THIS DOCUMENT IS THE EXCLUSIVE PROPERTY OF JOURDAIN SAS, IT IS PROVIDED ON A CONFIDENTIAL BASIS.  
IT MUST NEITHER BE COPIED, NOR DISCLOSED TO A THIRD PARTY WITHOUT OUR WRITTEN AUTORISATION

FTB

30/05/2022