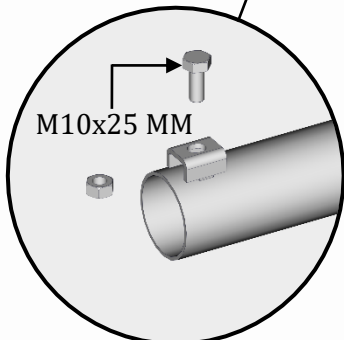
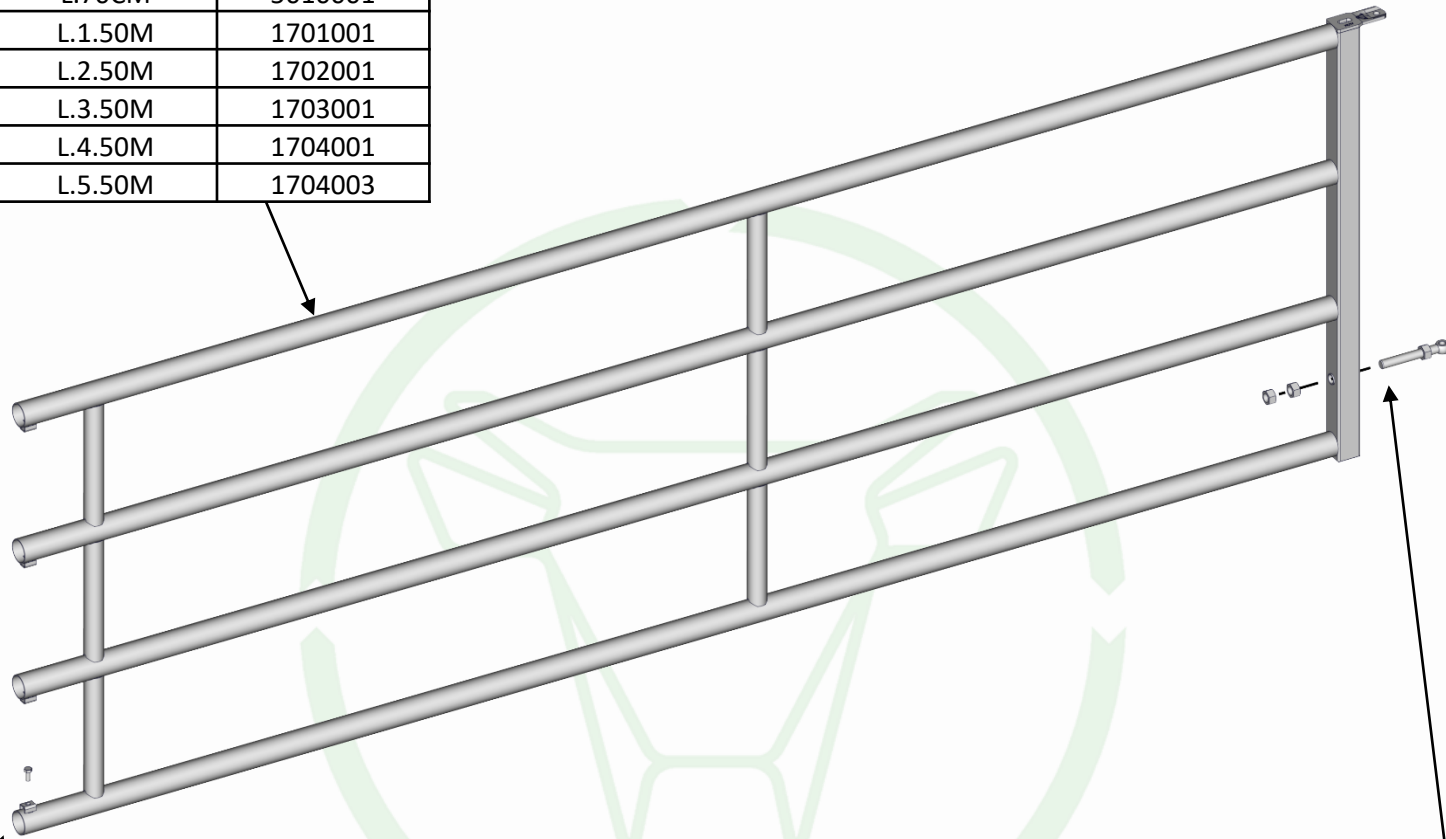
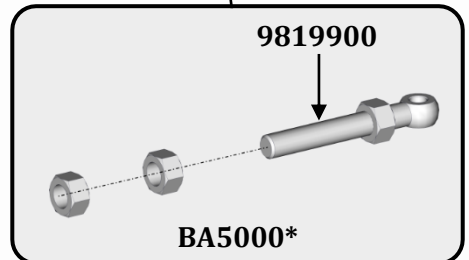


L.70CM	5010001
L.1.50M	1701001
L.2.50M	1702001
L.3.50M	1703001
L.4.50M	1704001
L.5.50M	1704003



SAC 119*



BACK GATE EX4

THIS DOCUMENT IS THE EXCLUSIVE PROPERTY OF JOURDAIN SAS, IT IS PROVIDED ON A CONFIDENTIAL BASIS.
IT MUST NEITHER BE COPIED, NOR DISCLOSED TO A THIRD PARTY WITHOUT OUR WRITTEN AUTORISATION

FTB

30/05/2022