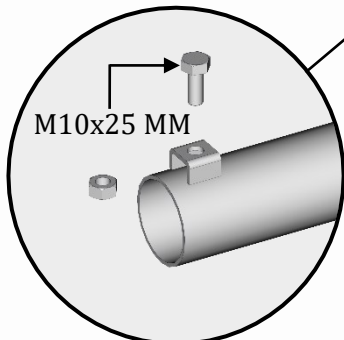
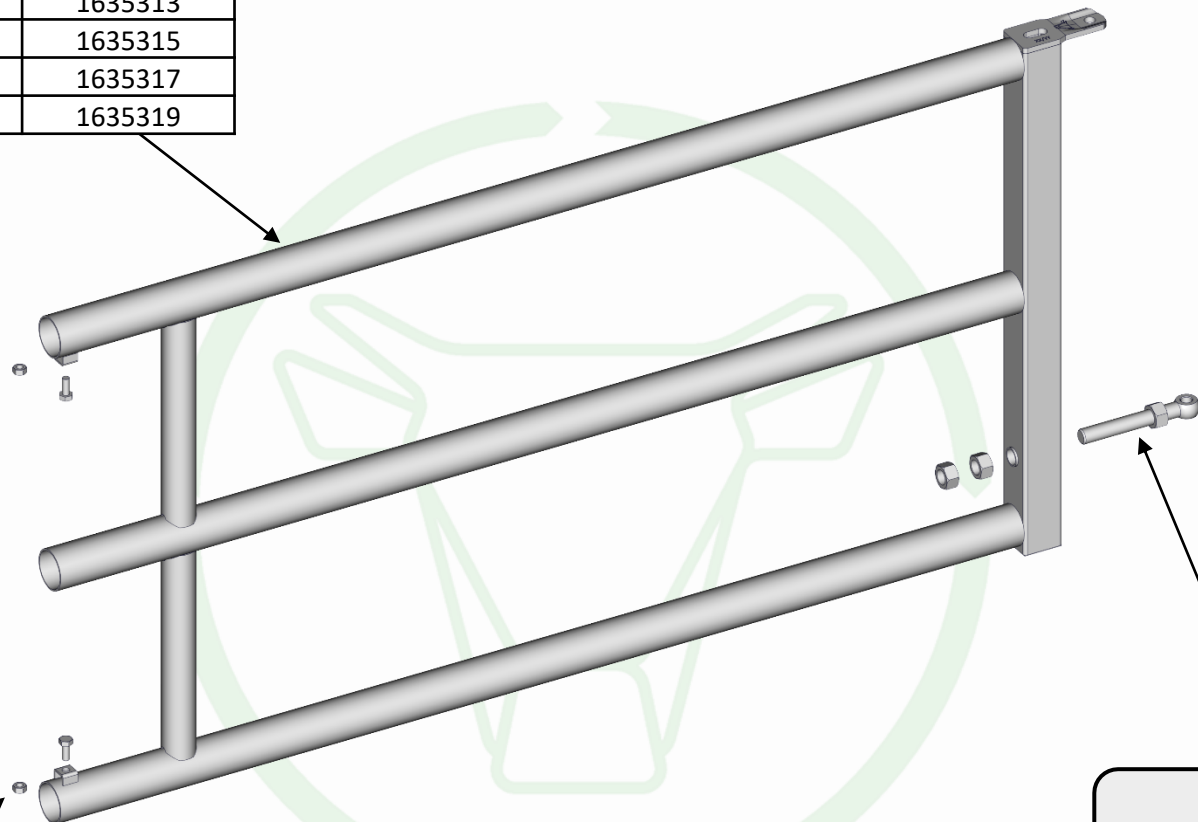
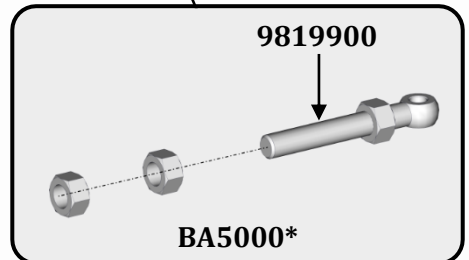


L.0.70M	1635312
L.1.50M	1635313
L.2.50M	1635315
L.3.50M	1635317
L.4.50M	1635319



SAC 171*



BACK GATE MILKY AUTOLOCK EX3

THIS DOCUMENT IS THE EXCLUSIVE PROPERTY OF JOURDAIN SAS, IT IS PROVIDED ON A CONFIDENTIAL BASIS.
IT MUST NEITHER BE COPIED, NOR DISCLOSED TO A THIRD PARTY WITHOUT OUR WRITTEN AUTORISATION

FTB

08/09/2023