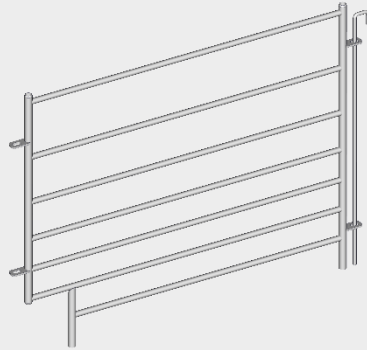
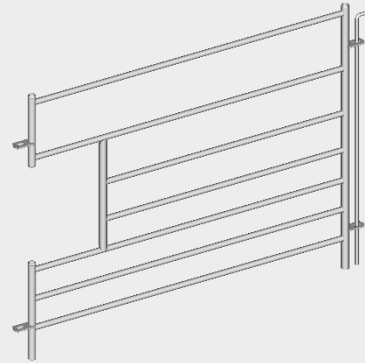


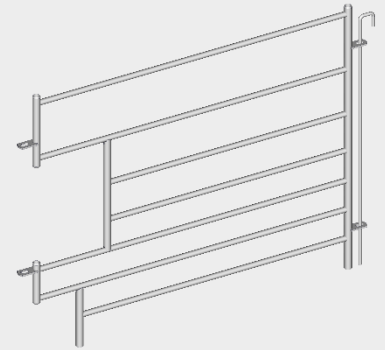
1.25M	OV3712*
1.50M	OV3715*
2M	OV3720*
2.50M	OV3725*
3M	OV3730*



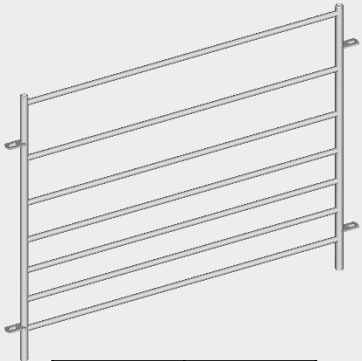
OV3702*



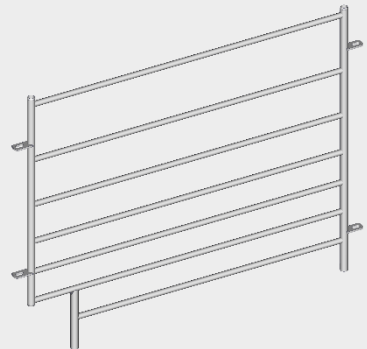
OV3704*



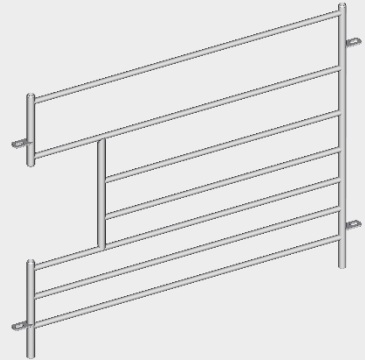
OV3701*



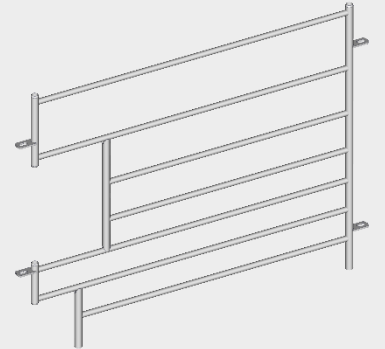
1.25M	3590531
1.50M	3590535
2M	3590539
2.50M	3590541
3M	3590543



3590533



3590559



3590537

PN9985*
2543112



SHEEP HURDLE 7 BARS

THIS DOCUMENT IS THE EXCLUSIVE PROPERTY OF JOURDAIN SAS, IT IS PROVIDED ON A CONFIDENTIAL BASIS.
IT MUST NEITHER BE COPIED, NOR DISCLOSED TO A THIRD PARTY WITHOUT OUR WRITTEN AUTHORISATION

FTB

16/07/2021