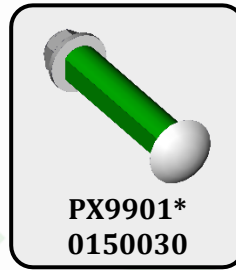
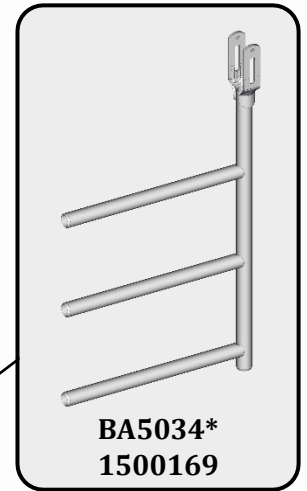


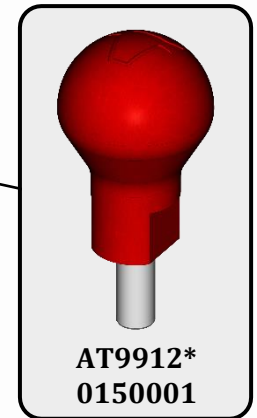
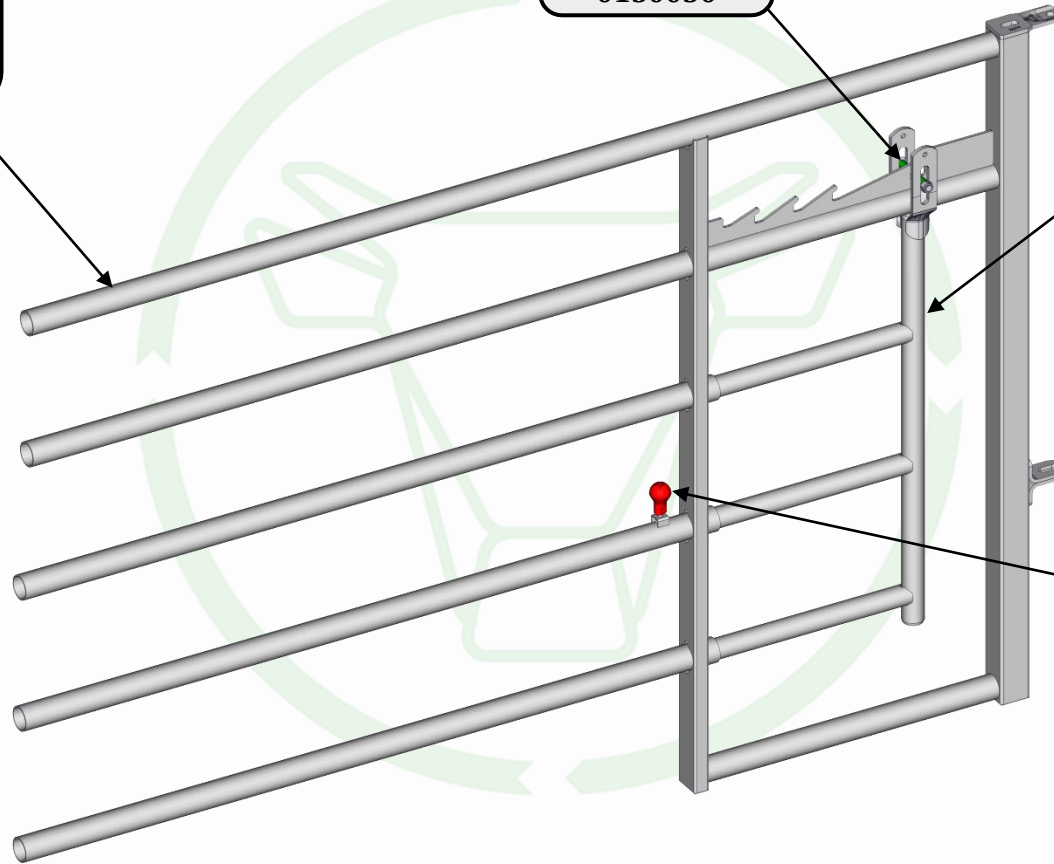
5034592



PX9901\*  
0150030



BA5034\*  
1500169



AT9912\*  
0150001



JOURDAIN  
www.jourdain-group.com

BA2098 - FRONT EX5 WITH CALF CREEP

THIS DOCUMENT IS THE EXCLUSIVE PROPERTY OF JOURDAIN SAS, IT IS PROVIDED ON A CONFIDENTIAL BASIS.  
IT MUST NEITHER BE COPIED, NOR DISCLOSED TO A THIRD PARTY WITHOUT OUR WRITTEN AUTHORISATION

FTB

27/11/2023