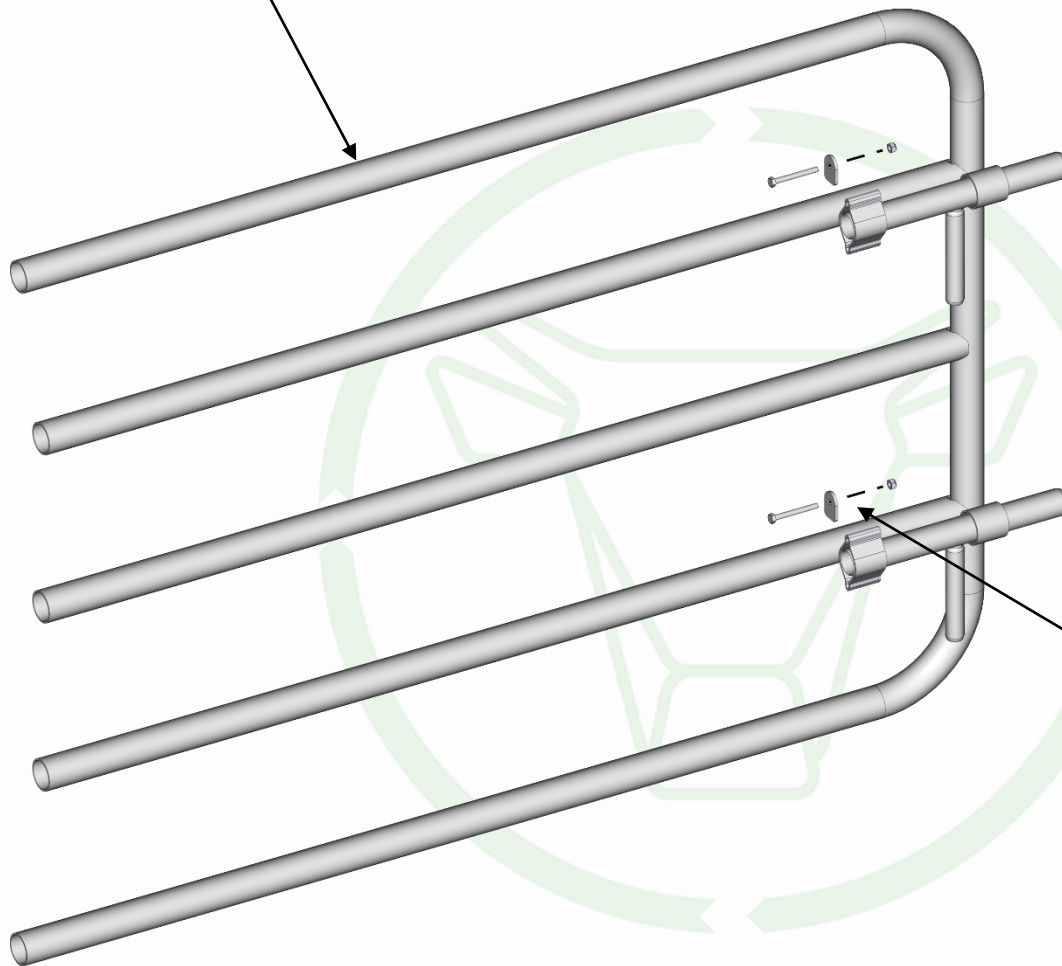
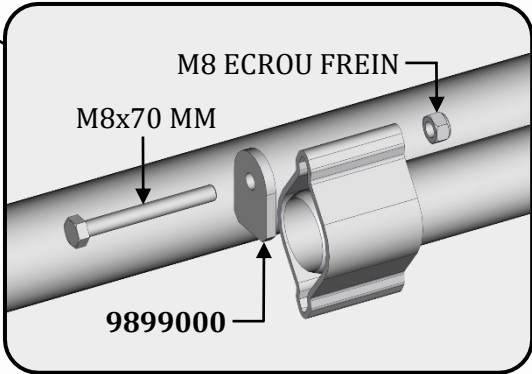


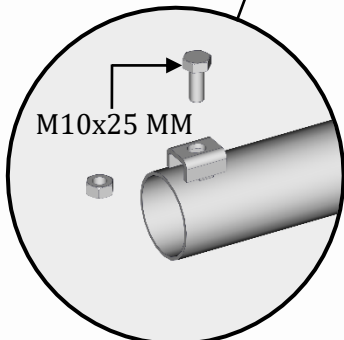
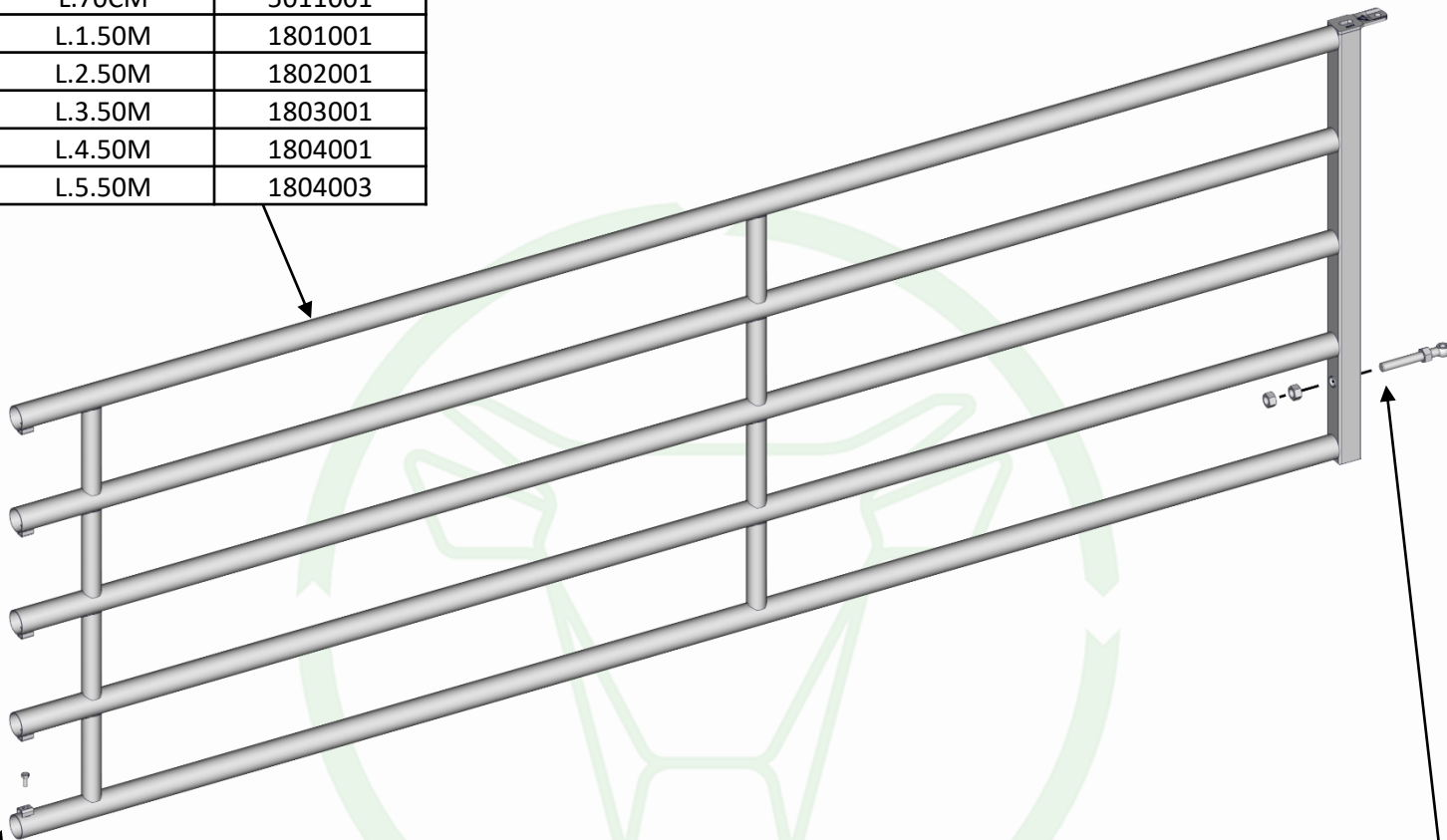
L.1.51M	1805050
---------	---------



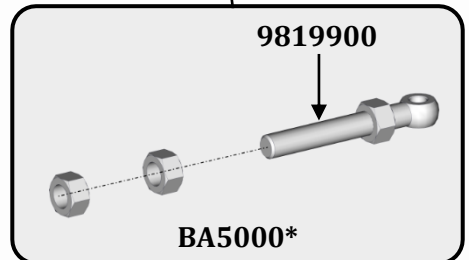
**SAC 116\***



L.70CM	5011001
L.1.50M	1801001
L.2.50M	1802001
L.3.50M	1803001
L.4.50M	1804001
L.5.50M	1804003



**SAC 119\***



**BACK GATE EX5**

THIS DOCUMENT IS THE EXCLUSIVE PROPERTY OF JOURDAIN SAS, IT IS PROVIDED ON A CONFIDENTIAL BASIS.  
IT MUST NEITHER BE COPIED, NOR DISCLOSED TO A THIRD PARTY WITHOUT OUR WRITTEN AUTORIZATION

**FTB**

**30/05/2022**