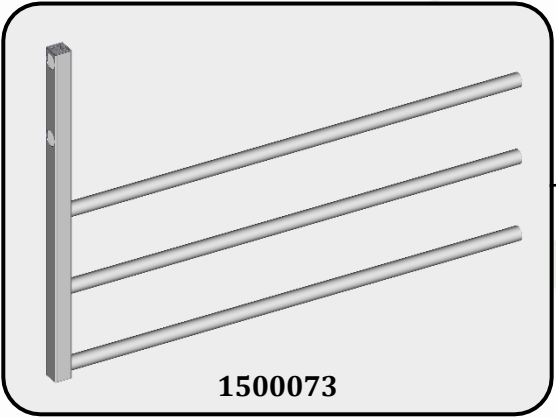
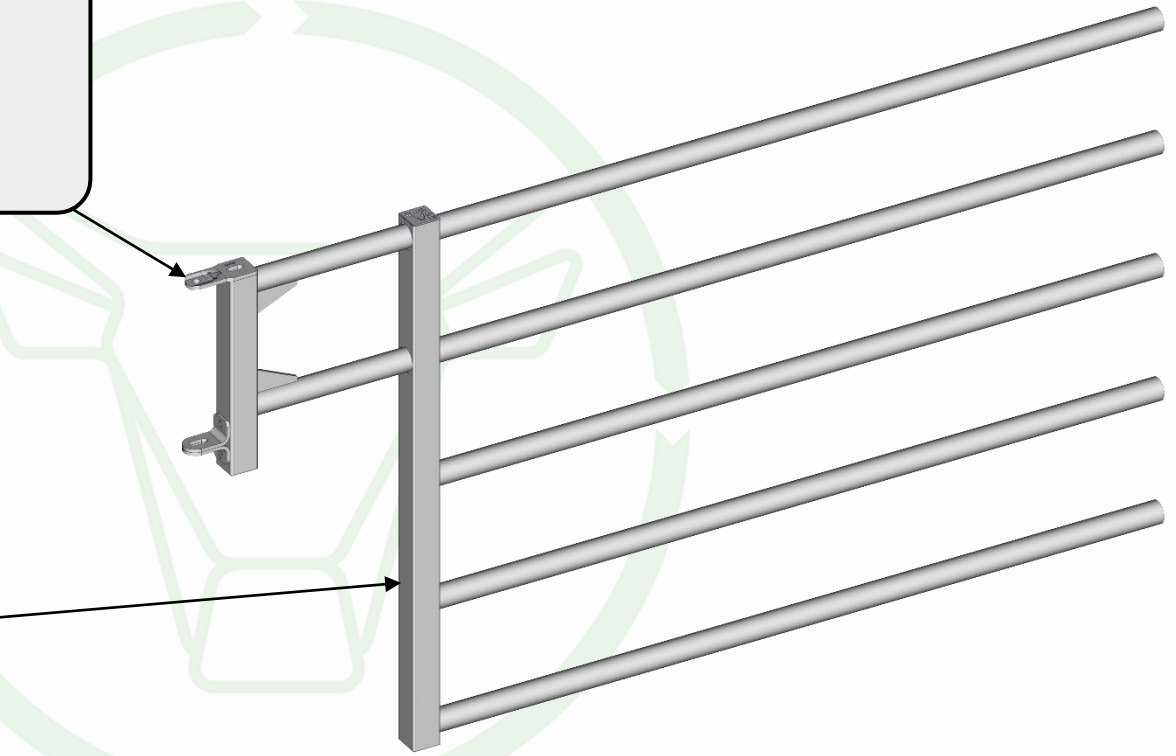


**BA5033\***  
**5026002**



**1500073**



**BA5028 - FRONT RECESS FOR DRINKER TROUGH EX5 L.2.05M**

**FTB**

THIS DOCUMENT IS THE EXCLUSIVE PROPERTY OF JOURDAIN SAS, IT IS PROVIDED ON A CONFIDENTIAL BASIS.  
IT MUST NEITHER BE COPIED, NOR DISCLOSED TO A THIRD PARTY WITHOUT OUR WRITTEN AUTHORISATION

**25/06/2021**