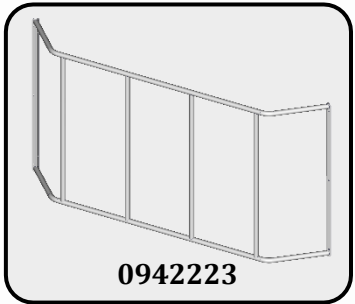
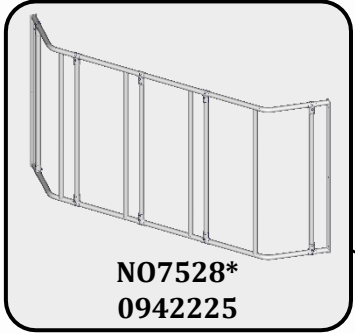


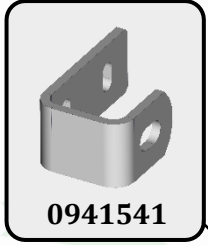
SAC 557\*



0942223



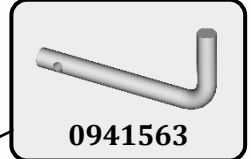
N07528\*  
0942225



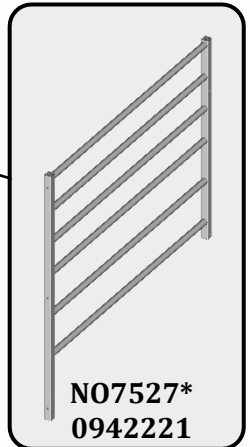
0941541



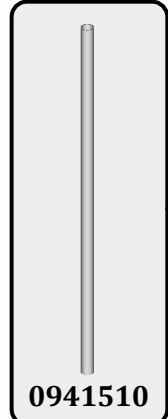
0941564



0941563



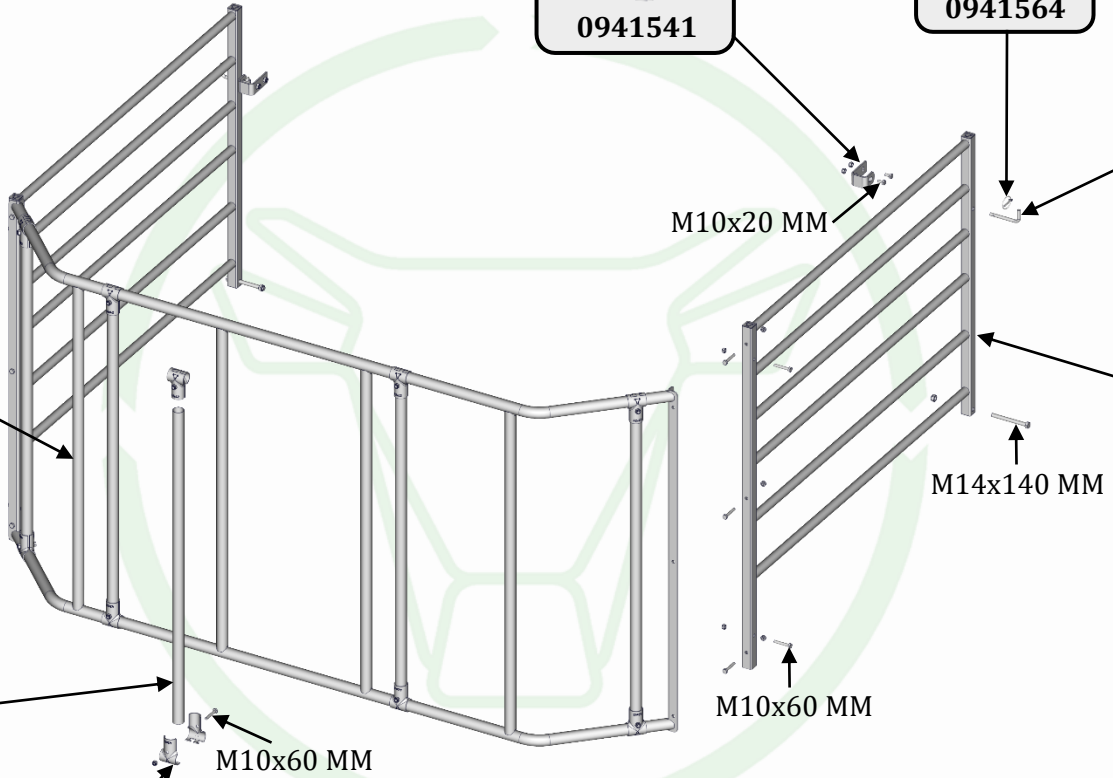
N07527\*  
0942221



0941510



AT0201\*



**N07525 - CREEP FEEDER PEN L.2.70M**  
THIS DOCUMENT IS THE EXCLUSIVE PROPERTY OF JOURDAIN SAS, IT IS PROVIDED ON A CONFIDENTIAL BASIS.  
IT MUST NEITHER BE COPIED, NOR DISCLOSED TO A THIRD PARTY WITHOUT OUR WRITTEN AUTHORISATION

FTB  
04/09/2023