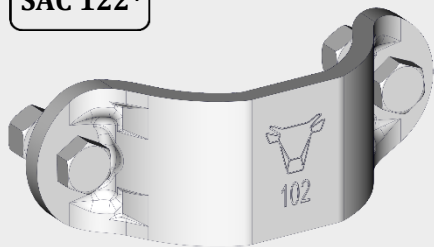


1D

2D

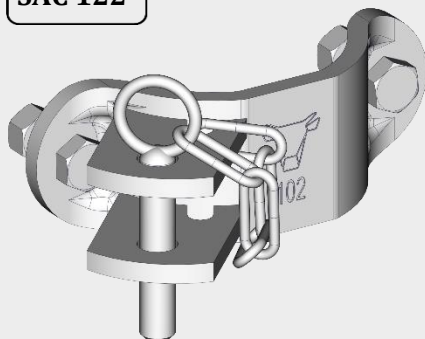
1D AXIS

SAC 122*



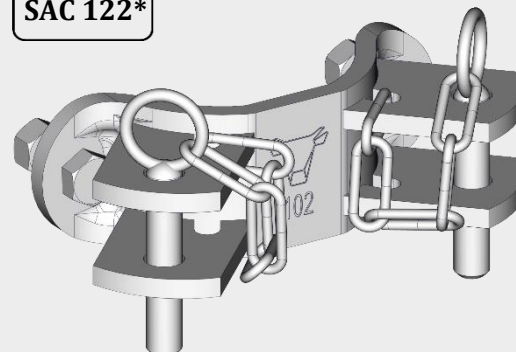
TR4060*

SAC 122*



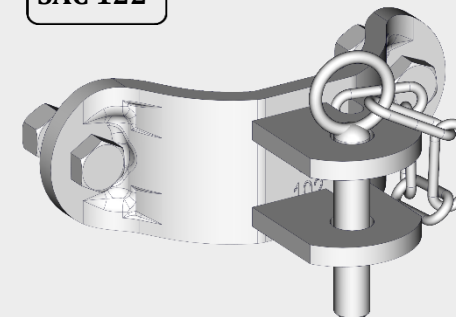
TR4061*

SAC 122*

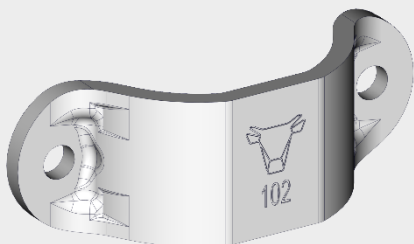


TR4062*

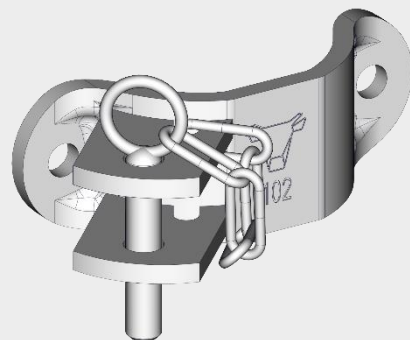
SAC 122*



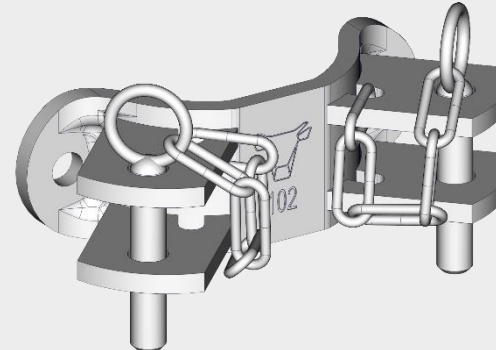
TR4065*



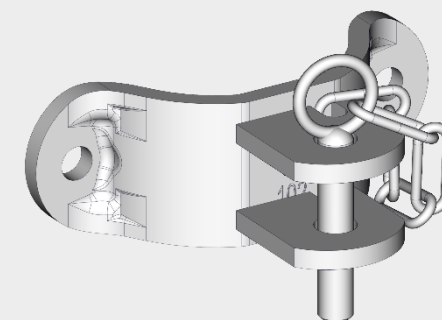
4000000



4000001



4040001



2180562



JOURDAIN
www.jourdain-group.com

HALF BRACKET OCTAGONAL D.102MM

THIS DOCUMENT IS THE EXCLUSIVE PROPERTY OF JOURDAIN SAS, IT IS PROVIDED ON A CONFIDENTIAL BASIS. IT MUST NEITHER BE COPIED, NOR DISCLOSED TO A THIRD PARTY WITHOUT OUR WRITTEN AUTHORISATION

FTB

21/07/2021