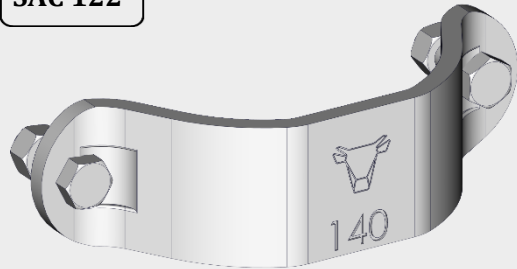
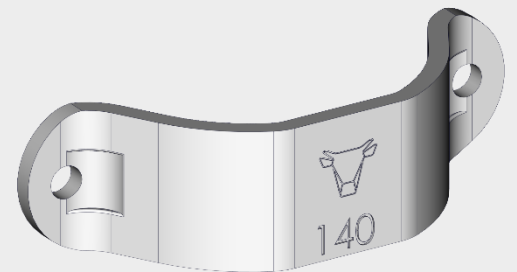


SAC 122*



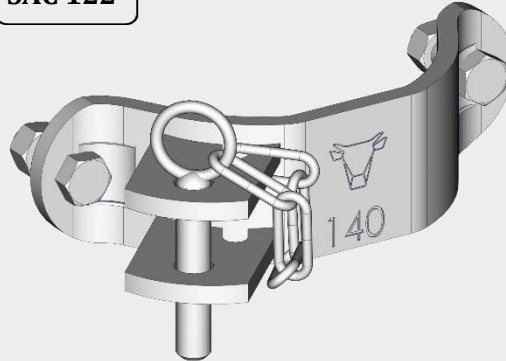
TR4070*



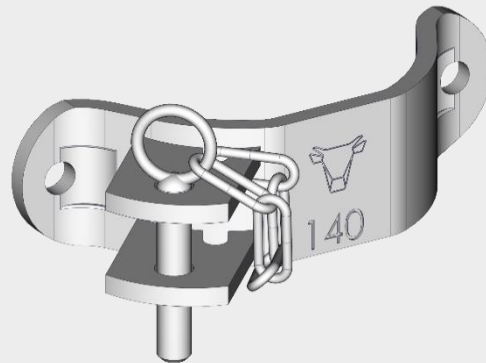
4114001

1D

SAC 122*



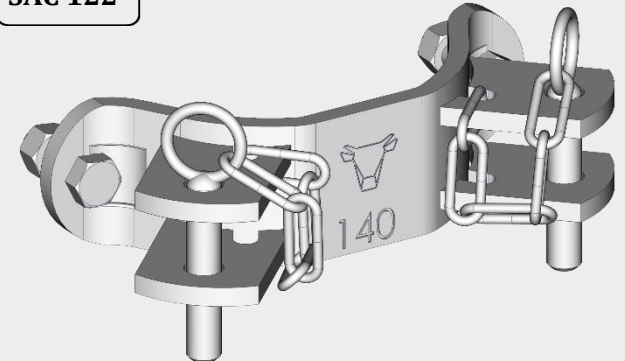
TR4071*



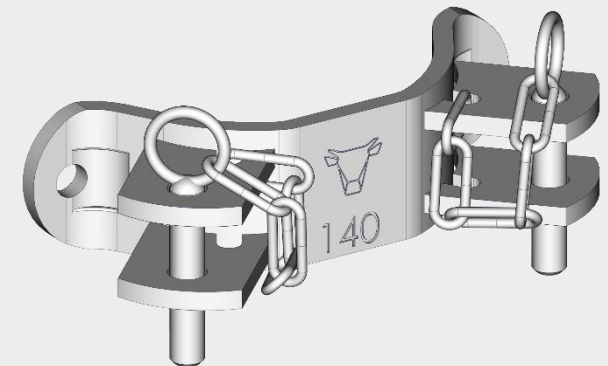
4114002

2D

SAC 122*



TR4072*



4114003