



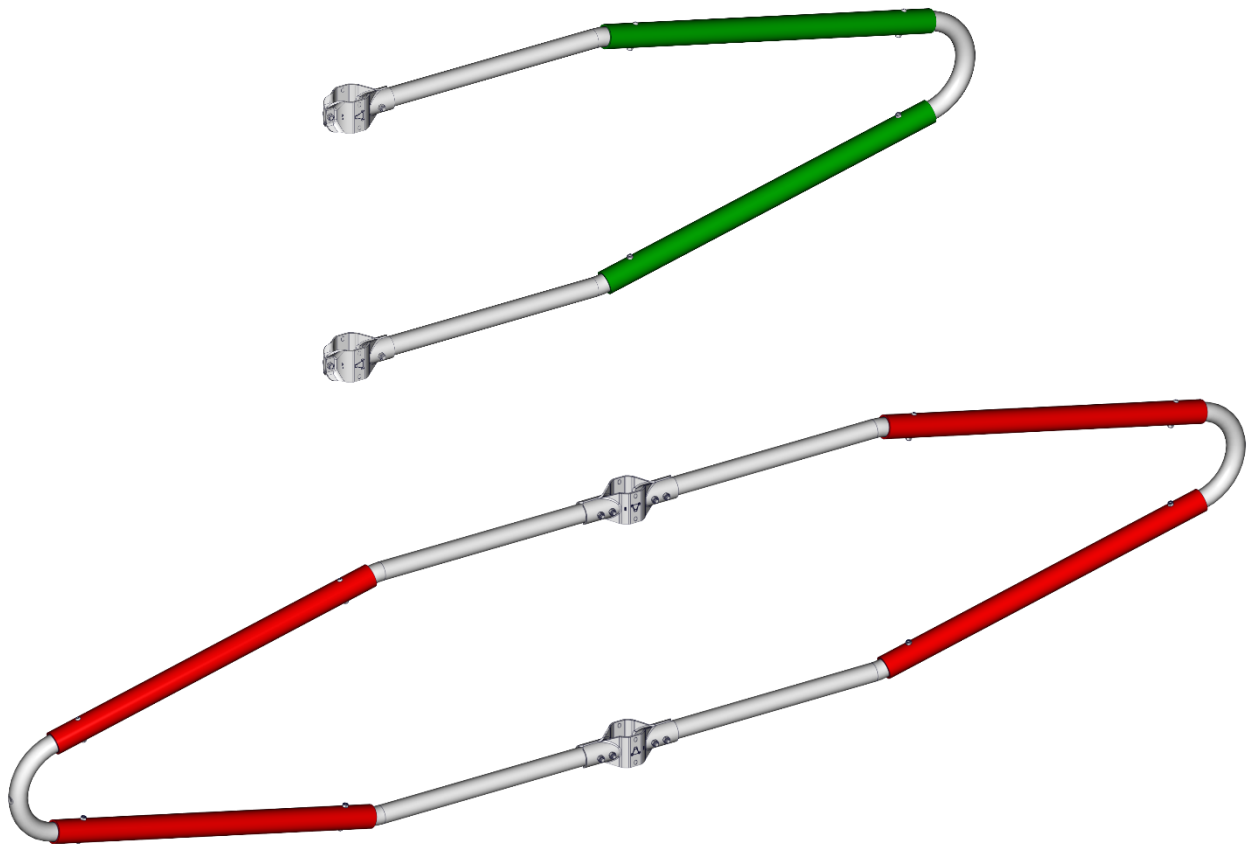
**JOURDAIN**  
www.jourdain-group.com

**L03211 / L03215**  
**L03212 / L03216**

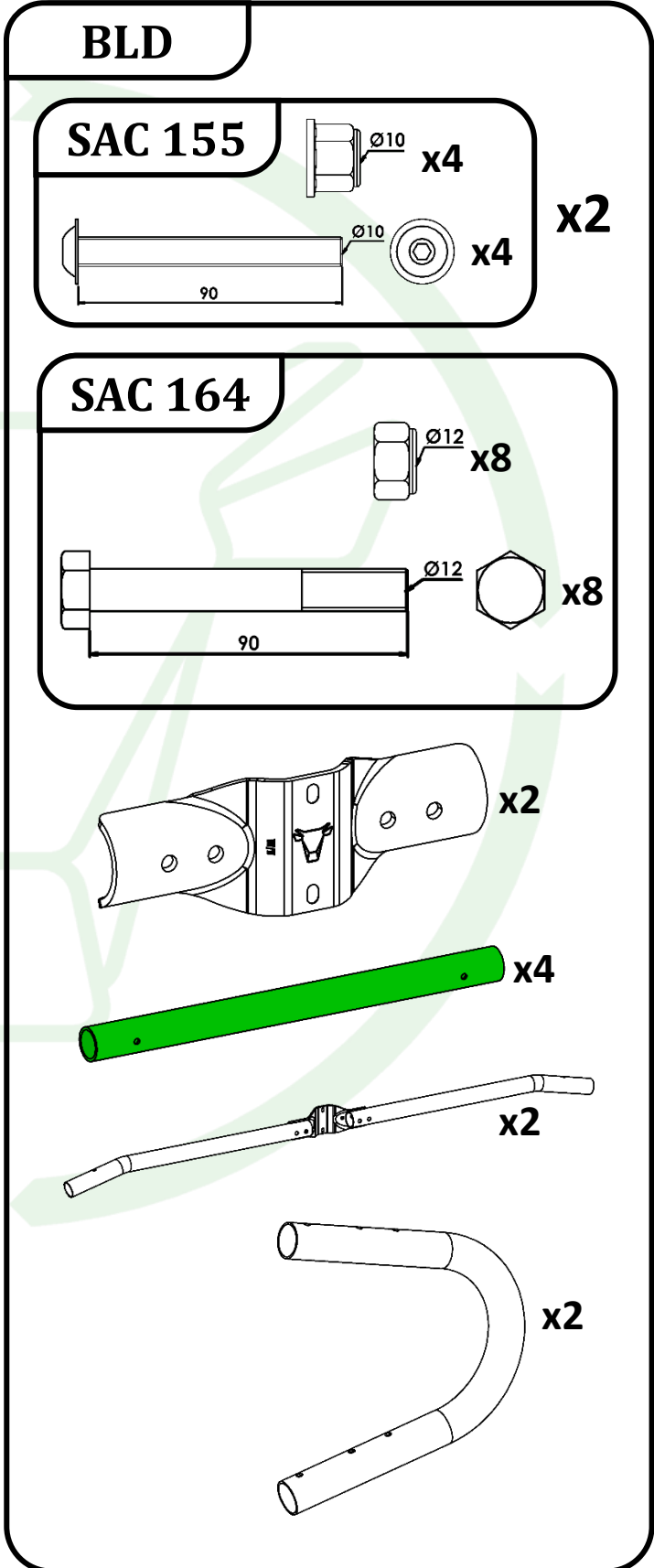
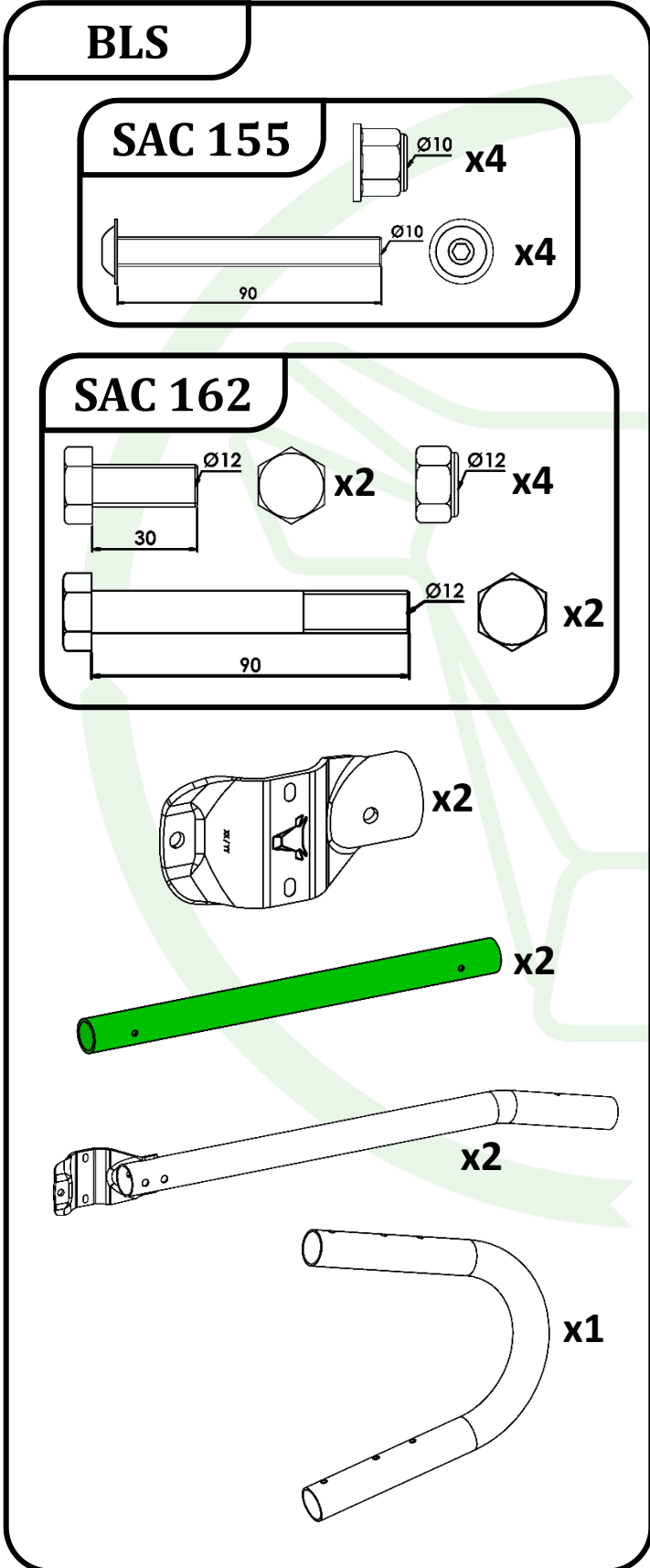
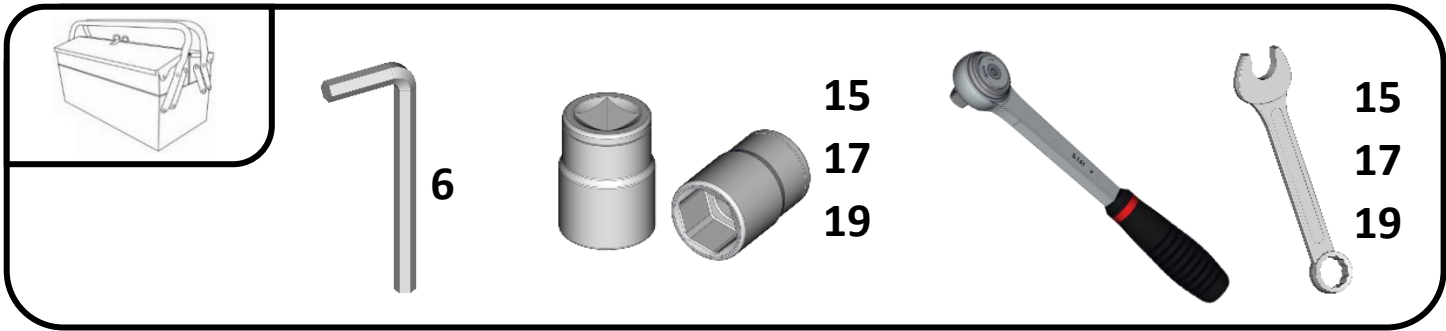
**EPINGLE COWFLEX II BLS**  
**CUBICLE LOOP COWFLEX II BLS**  
**HORQUILLA COWFLEX II BLS**  
**BÜGEL COWFLEX II BLS**

---

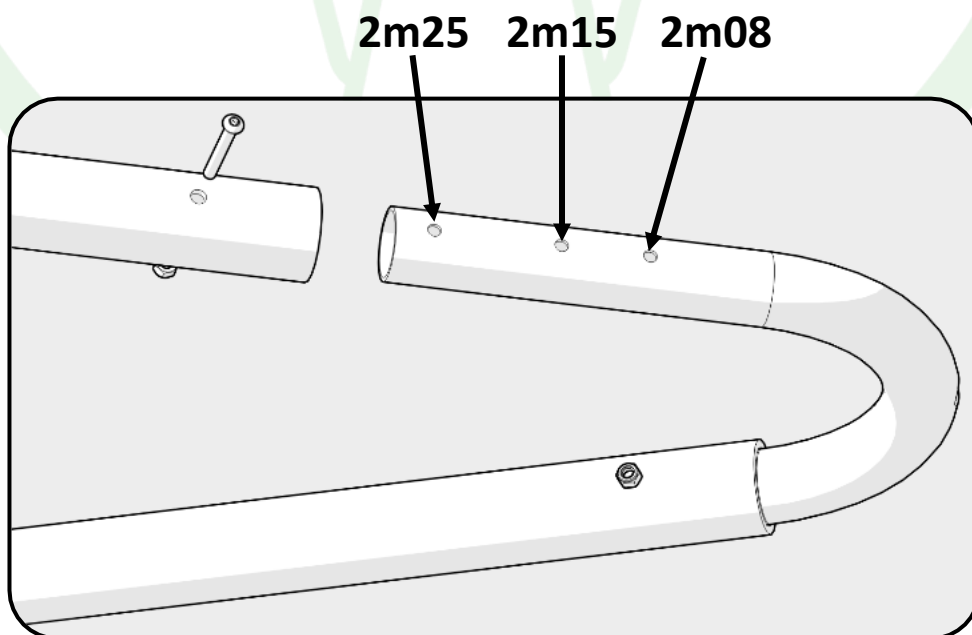
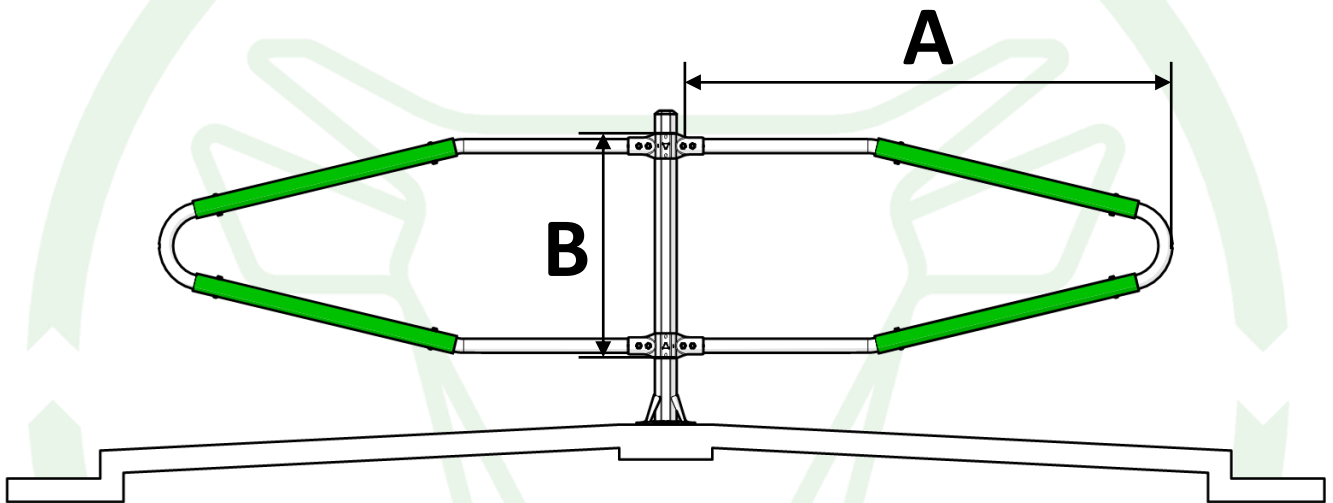
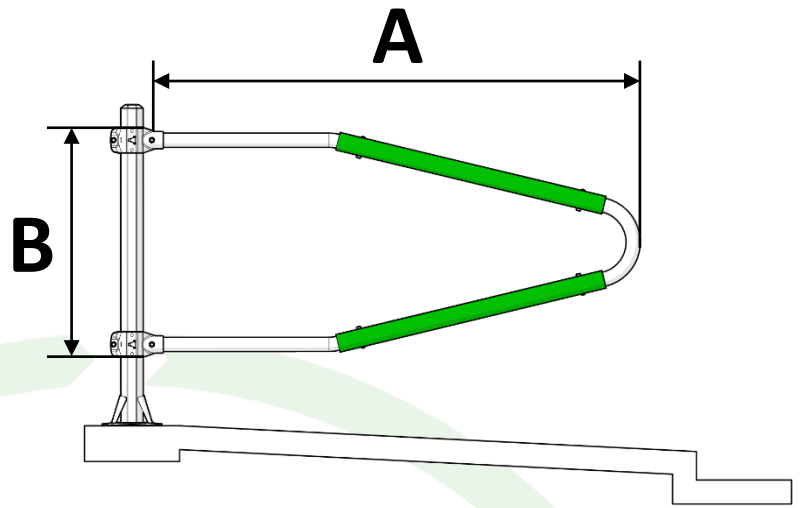
**EPINGLE COWFLEX II BLD**  
**CUBICLE LOOP COWFLEX II BLD**  
**HORQUILLA COWFLEX II BLD**  
**BÜGEL COWFLEX II BLD**



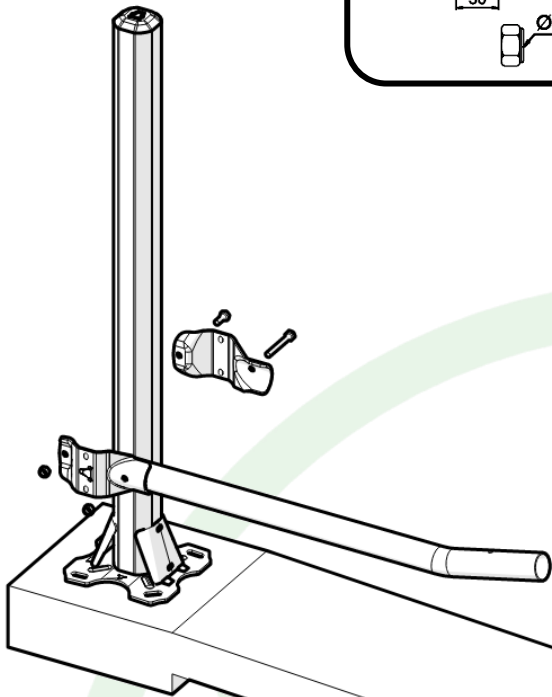
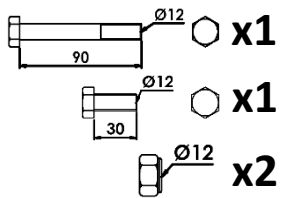
**PATENT PENDING**



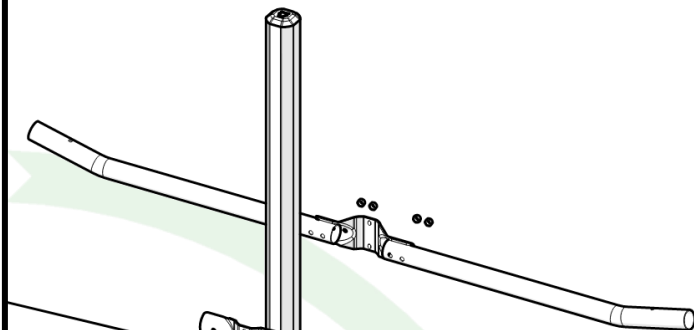
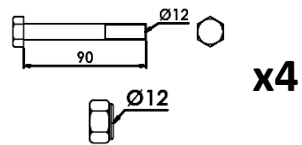
A	B
2m08	96.5cm
2m15	100cm
2m25	104.5cm



# 1 - BLS

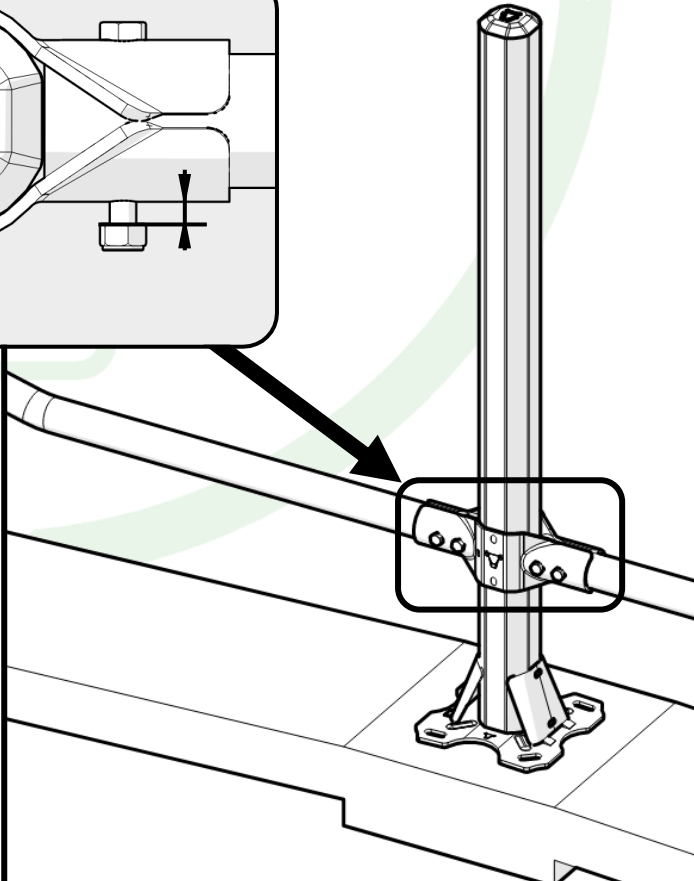
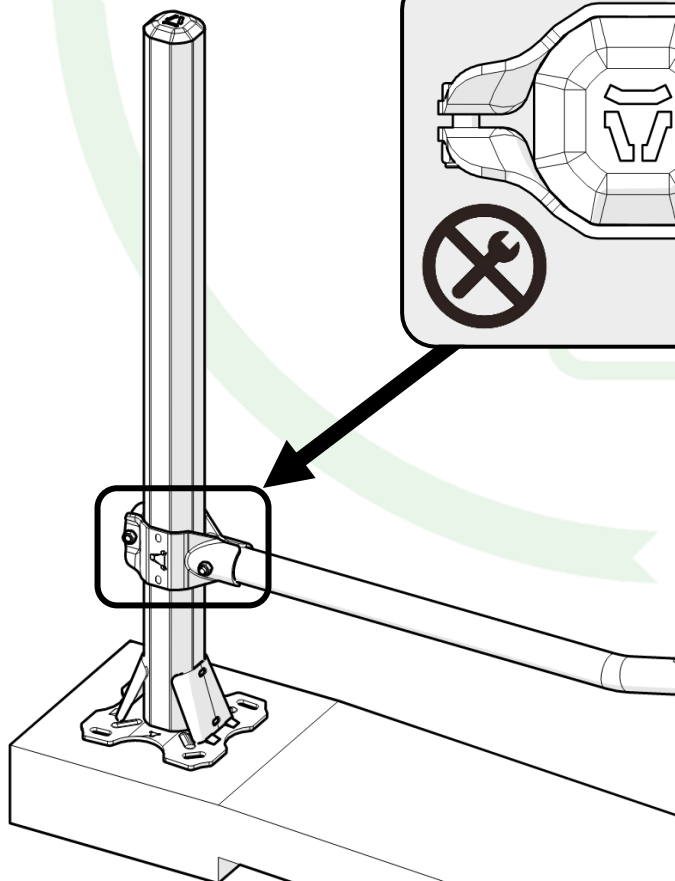
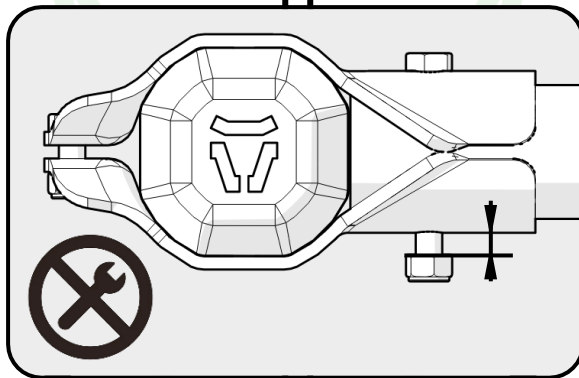


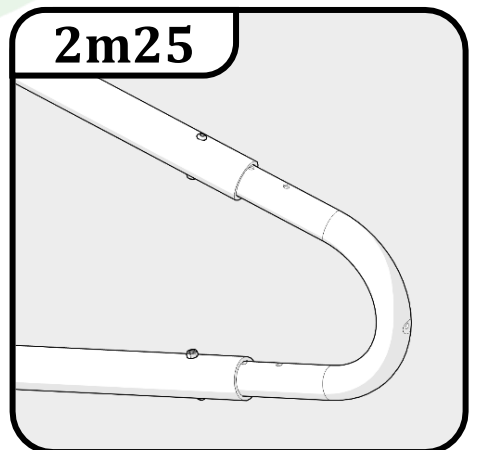
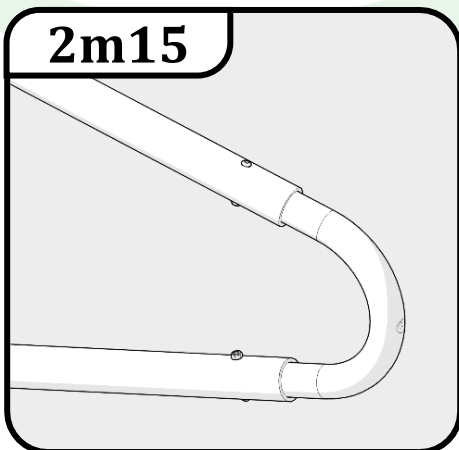
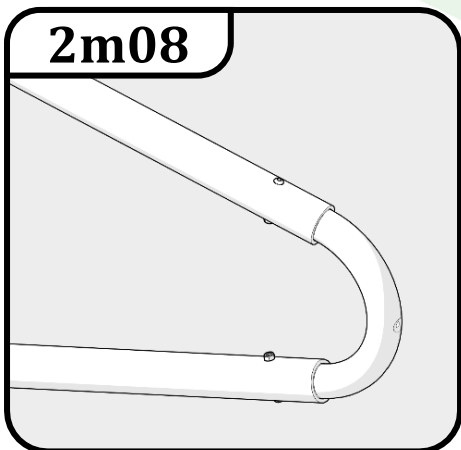
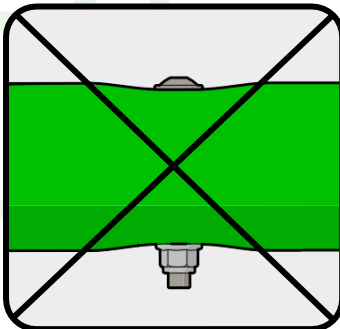
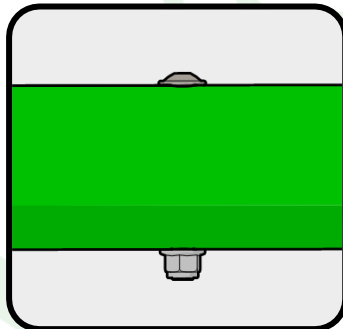
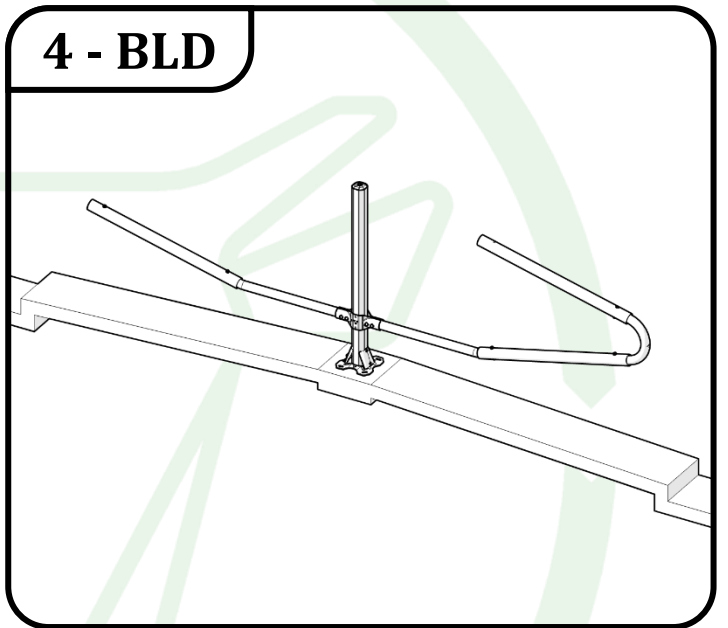
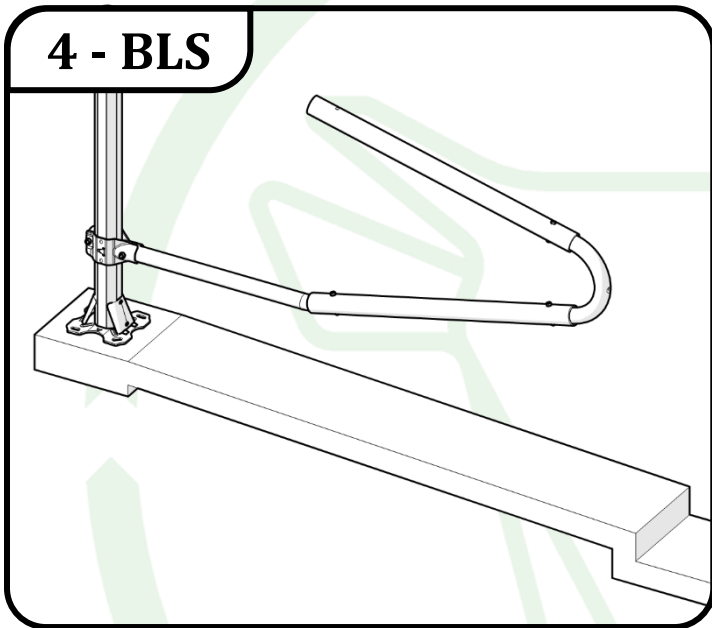
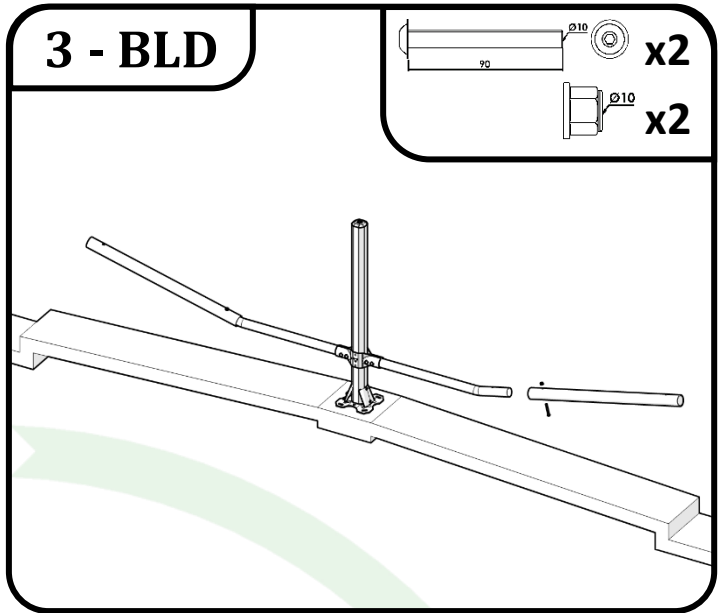
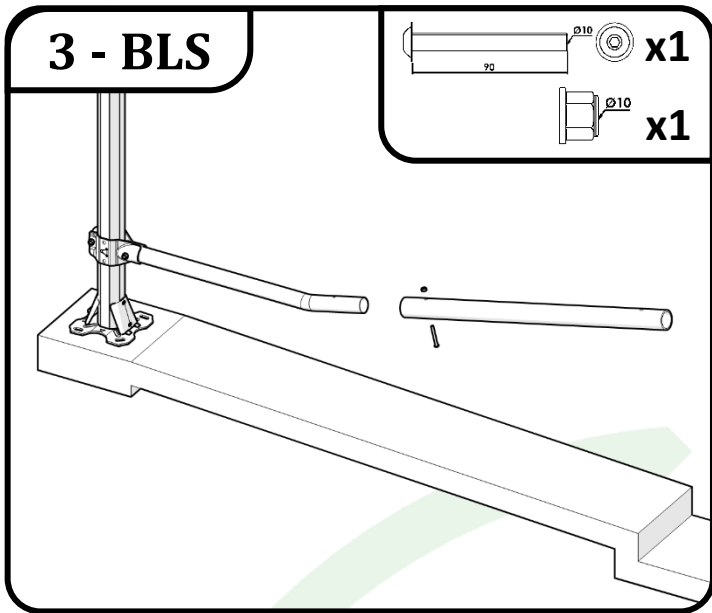
# 1 - BLD



# 2 - BLS

# 2 - BLD

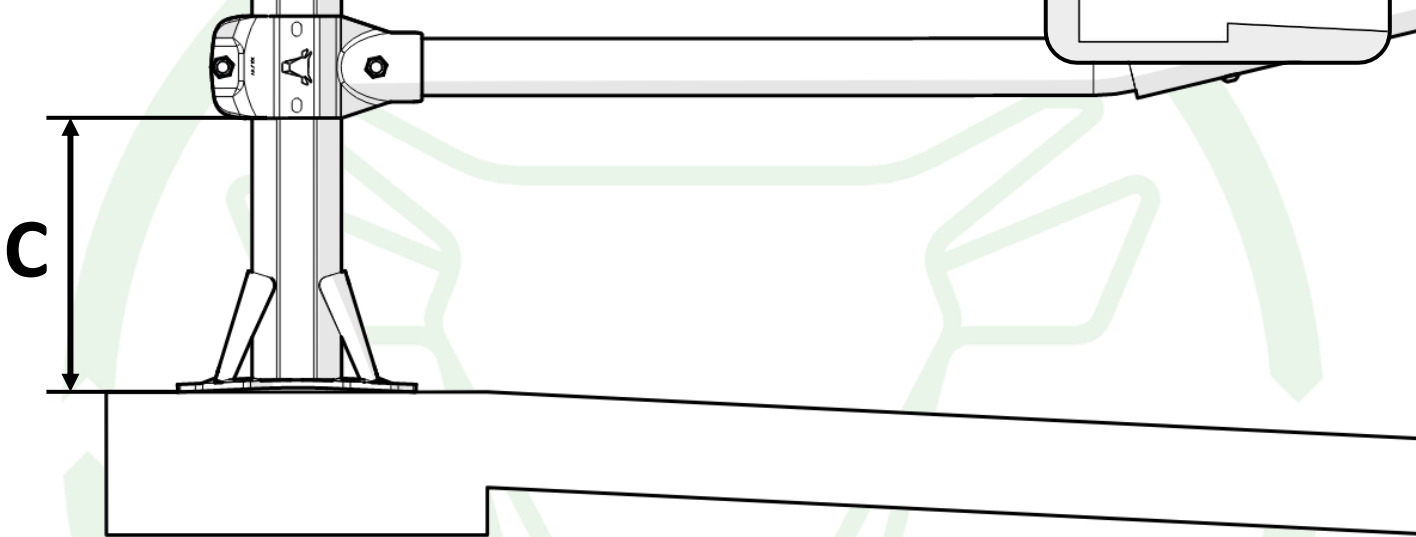
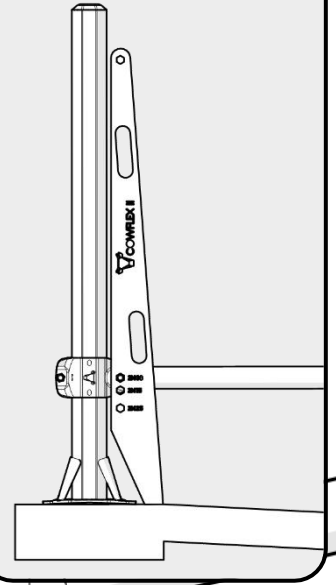




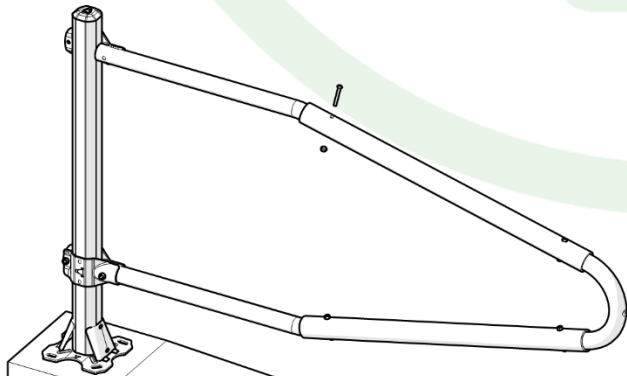
5

	C
2m08	29cm
2m15	25cm
2m25	20cm

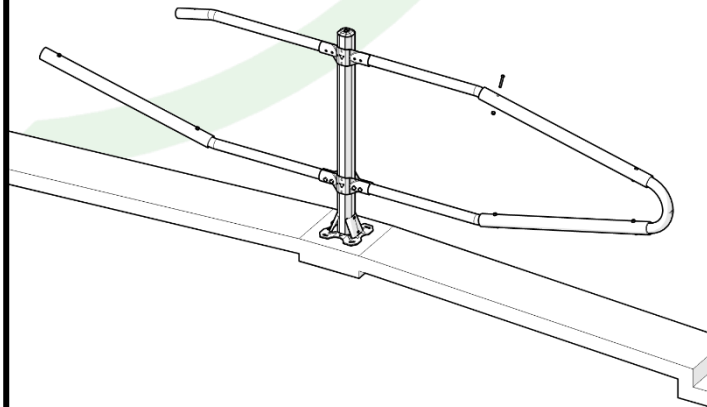
Optional



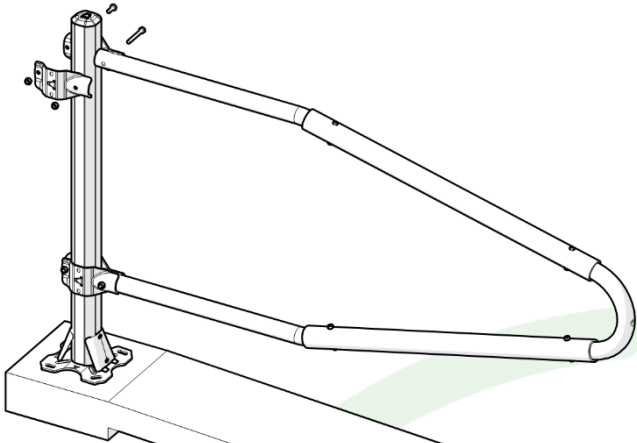
6 - BLS



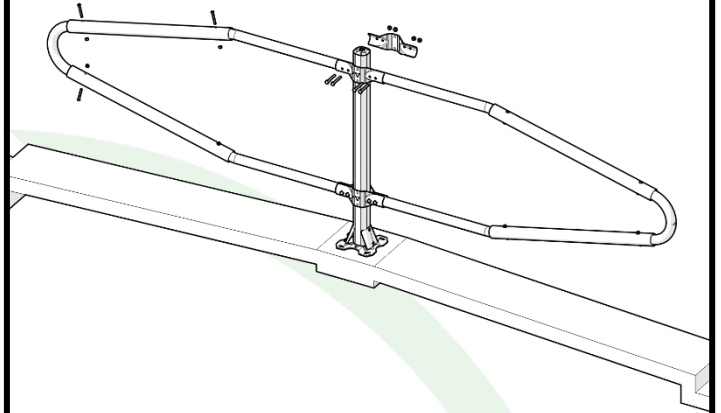
6 - BLD



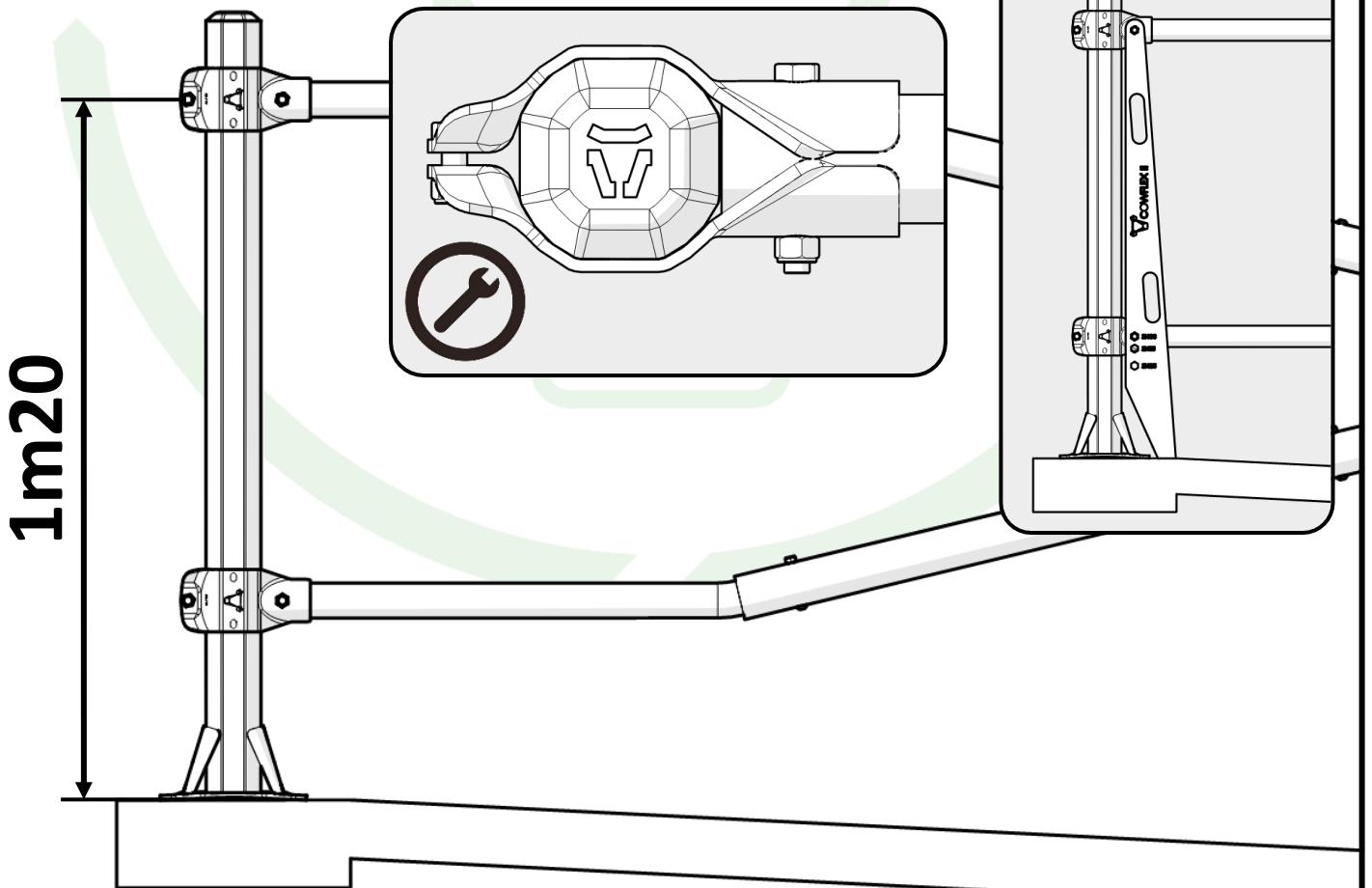
7 - BLS



7 - BLD



8



1m20

Optional

