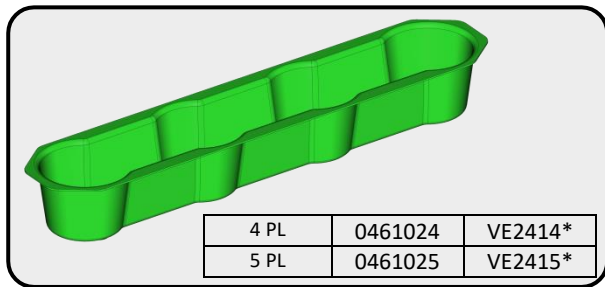
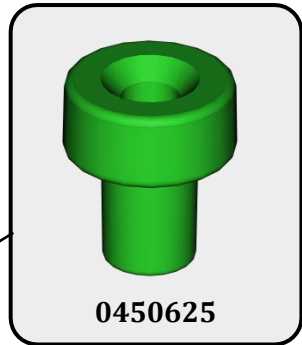


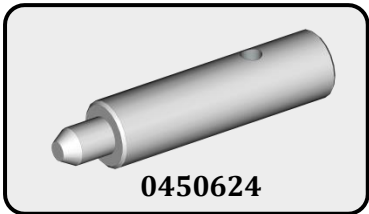
0450621



SAC 530*



0450625

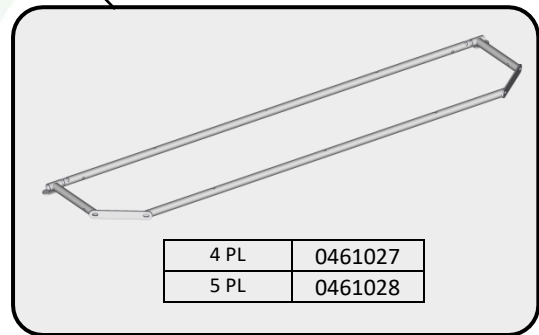
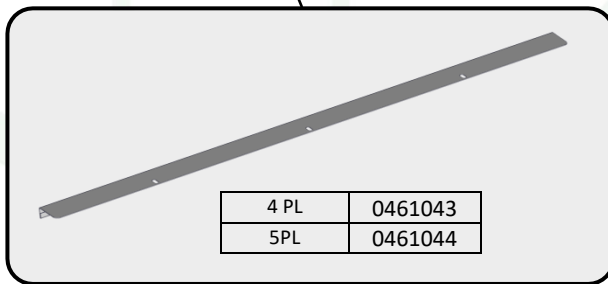
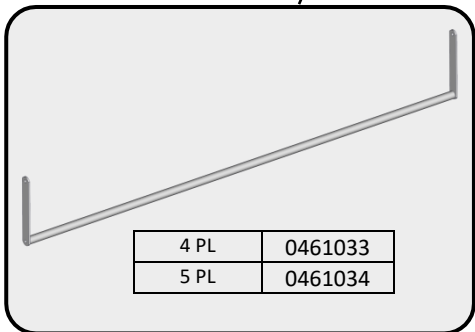


0450624



0450622

8 PL	VE2407*
10 PL	VE2408*



REVERSE TROUGH FOR BUCKETS Ø28.5 CM 8,10 PLACES

THIS DOCUMENT IS THE EXCLUSIVE PROPERTY OF JOURDAIN SAS, IT IS PROVIDED ON A CONFIDENTIAL BASIS. IT MUST NEITHER BE COPIED, NOR DISCLOSED TO A THIRD PARTY WITHOUT OUR WRITTEN AUTORIZATION

FTB

07/04/2022