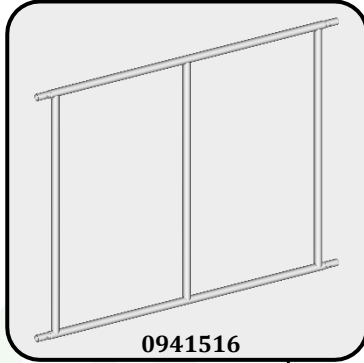
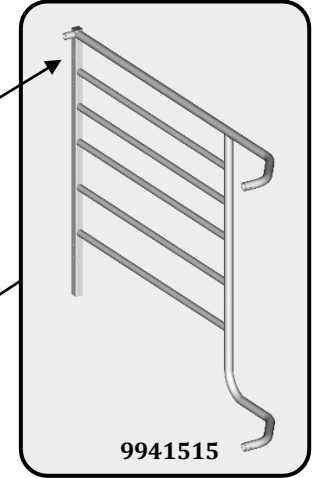
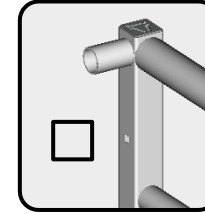


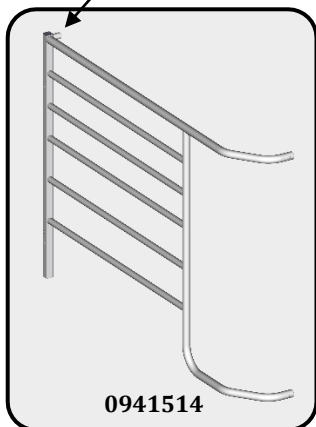
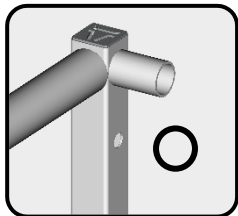
SAC 513*



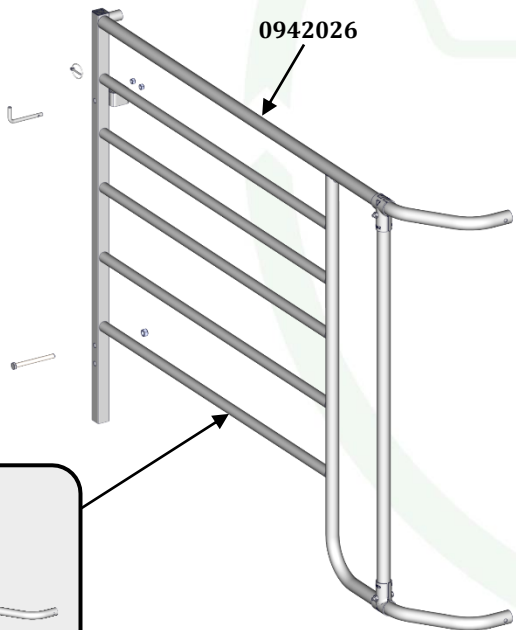
0941516



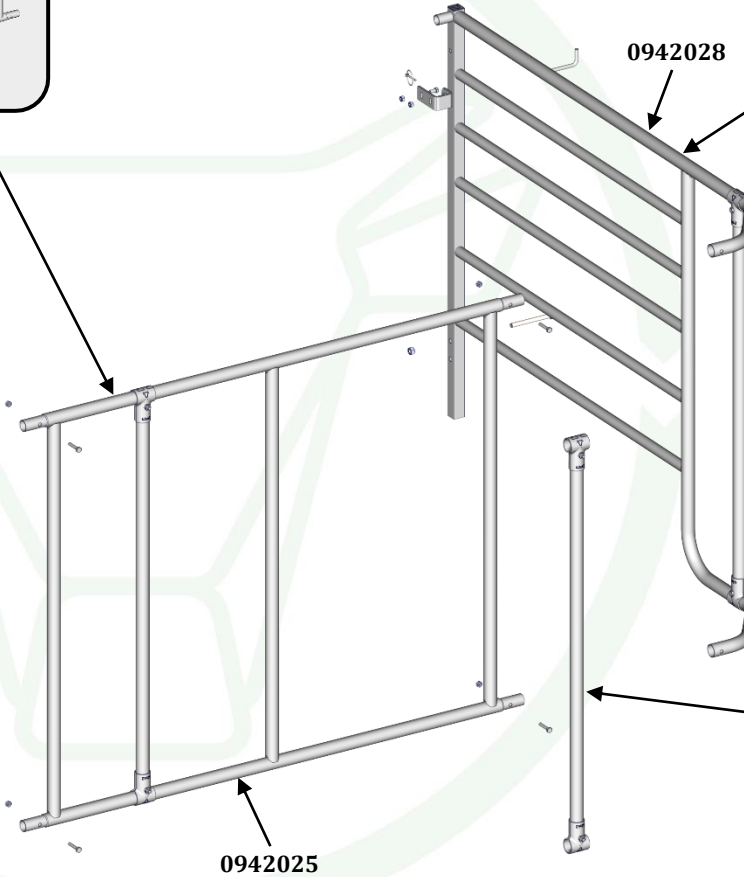
9941515



0941514

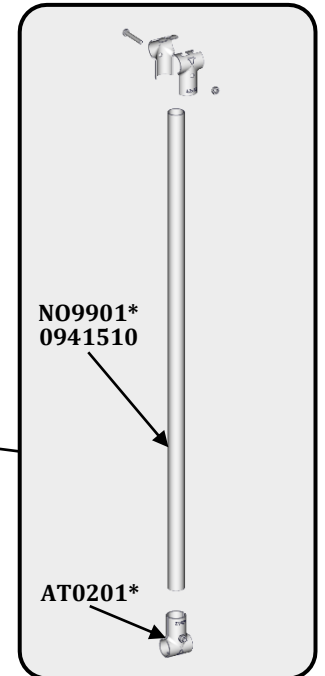


0942026



0942025

0942028



**NO9901*
0941510**

AT0201*



JOURDAIN
www.jourdain-group.com

NO7020 - CREEP FEEDER PEN L.2.20M

THIS DOCUMENT IS THE EXCLUSIVE PROPERTY OF JOURDAIN SAS, IT IS PROVIDED ON A CONFIDENTIAL BASIS. IT MUST NEITHER BE COPIED, NOR DISCLOSED TO A THIRD PARTY WITHOUT OUR WRITTEN AUTHORISATION

FTB

15/09/2021