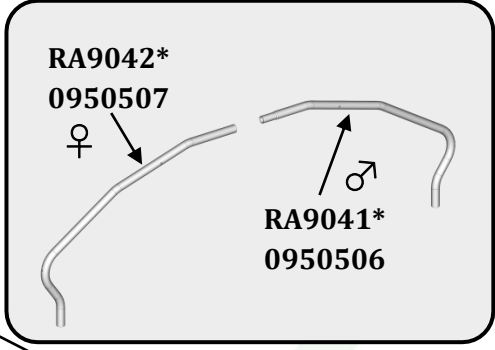
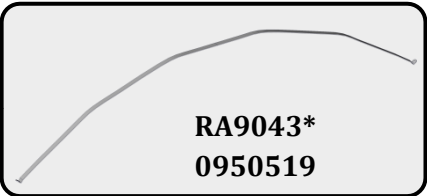


0909546

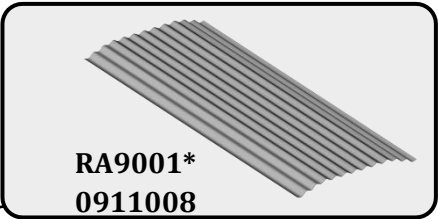


RA9042*
0950507

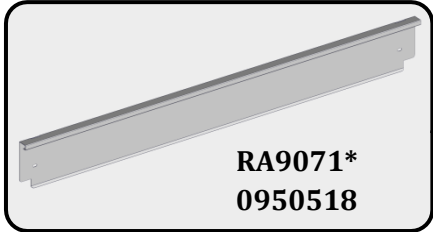
RA9041*
0950506



RA9043*
0950519



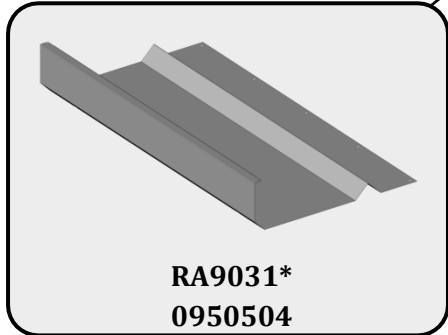
RA9001*
0911008



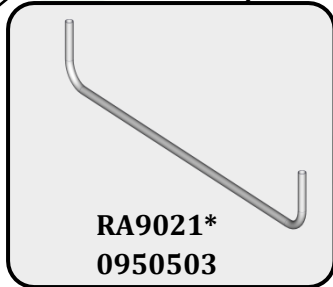
RA9071*
0950518



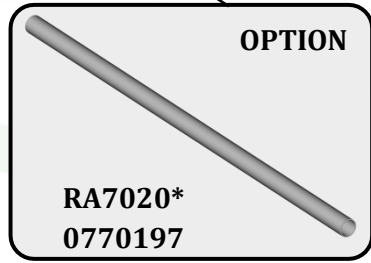
RA9012*
0950502



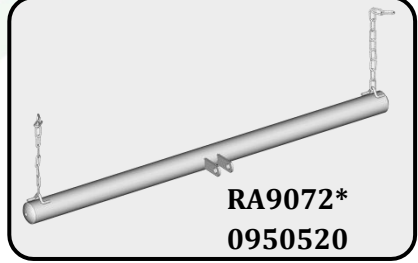
RA9031*
0950504



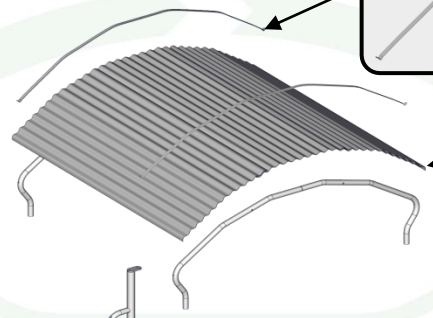
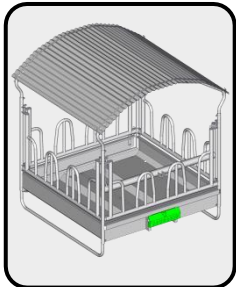
RA9021*
0950503



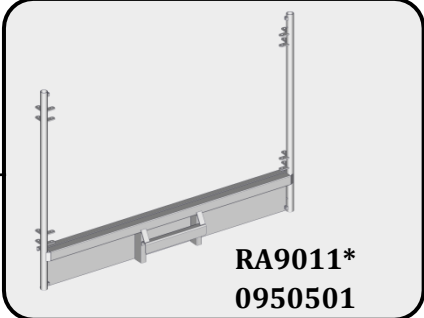
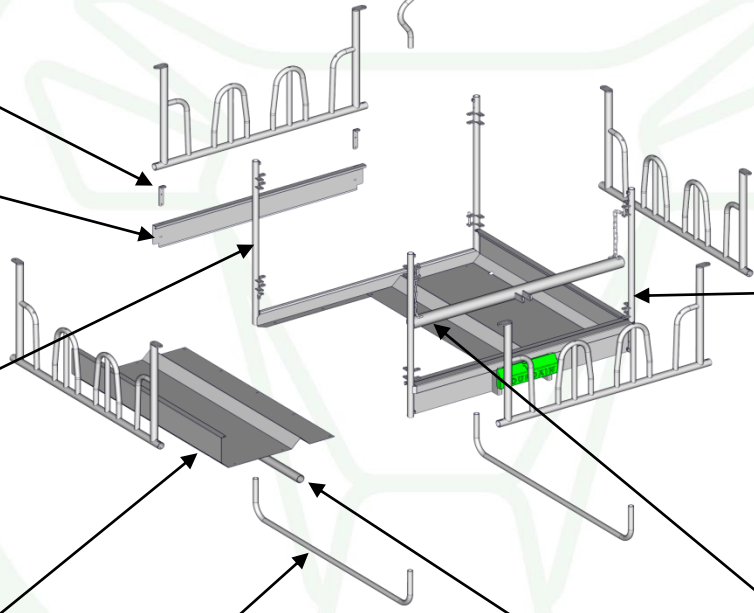
RA7020*
0770197



RA9072*
0950520



SAC 502*



RA9011*
0950501



HAY RACK 4 FACES

THIS DOCUMENT IS THE EXCLUSIVE PROPERTY OF JOURDAIN SAS, IT IS PROVIDED ON A CONFIDENTIAL BASIS. IT MUST NEITHER BE COPIED, NOR DISCLOSED TO A THIRD PARTY WITHOUT OUR WRITTEN AUTORISATION

FTB

06/07/2021