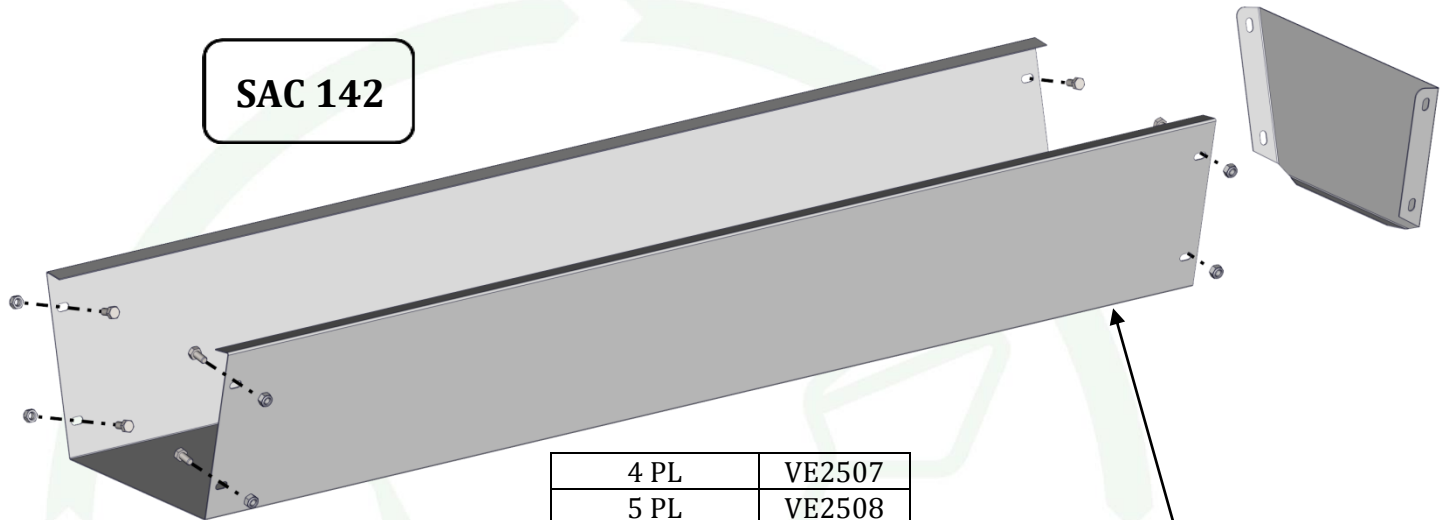
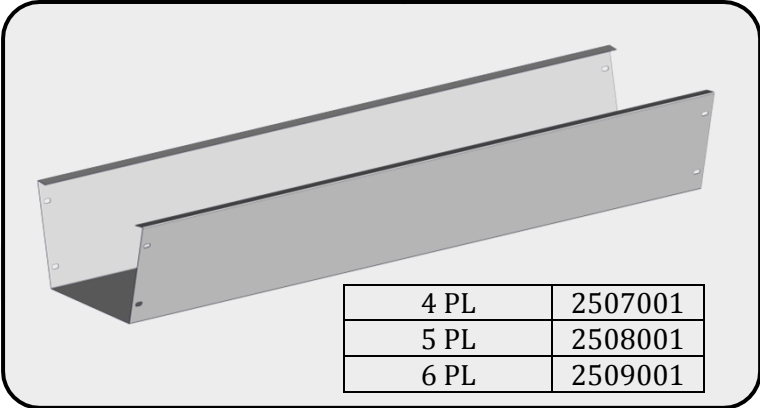
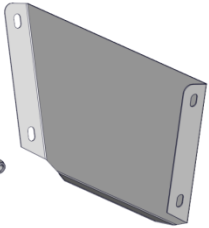
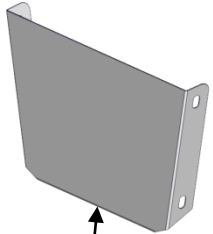


SAC 142



4 PL	VE2507
5 PL	VE2508
6 PL	VE2509



4 PL	2507001
5 PL	2508001
6 PL	2509001



**VE2503
2507050**

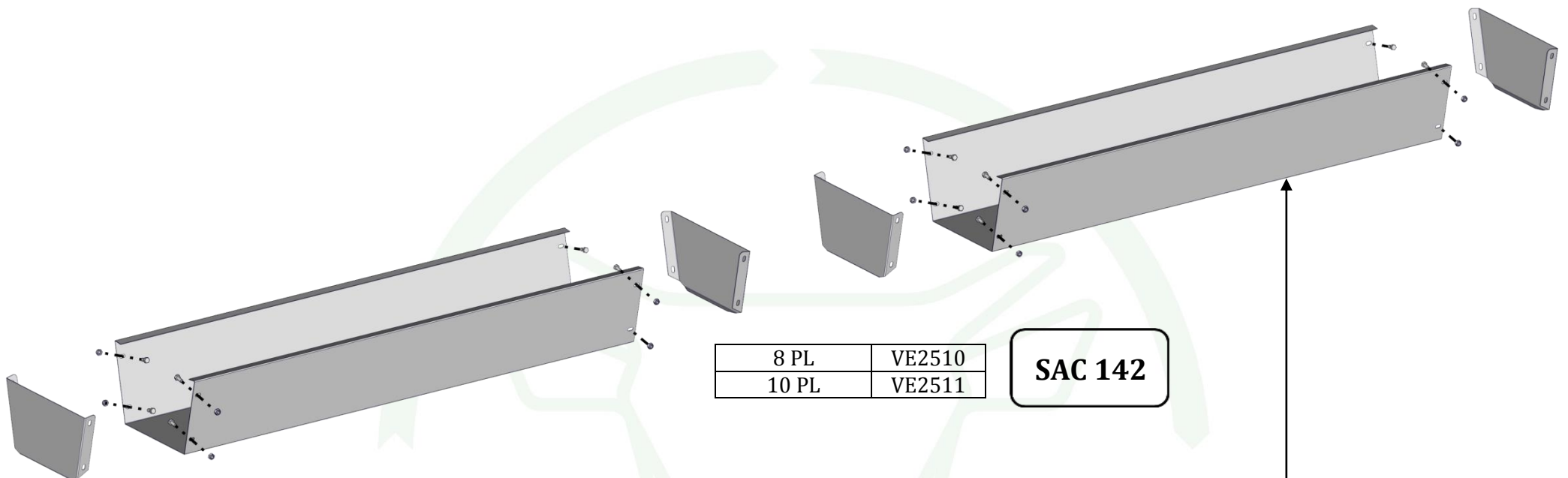


METAL TROUGH FOR CALF HEADLOCK 4,5,6 PLACES

FTB

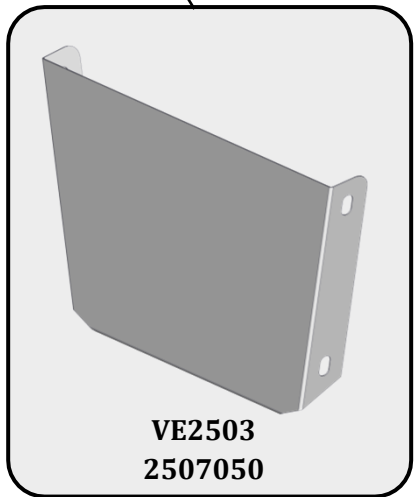
THIS DOCUMENT IS THE EXCLUSIVE PROPERTY OF JOURDAIN SAS, IT IS PROVIDED ON A CONFIDENTIAL BASIS. IT MUST NEITHER BE COPIED, NOR DISCLOSED TO A THIRD PARTY WITHOUT OUR WRITTEN AUTHORISATION

12/06/2017

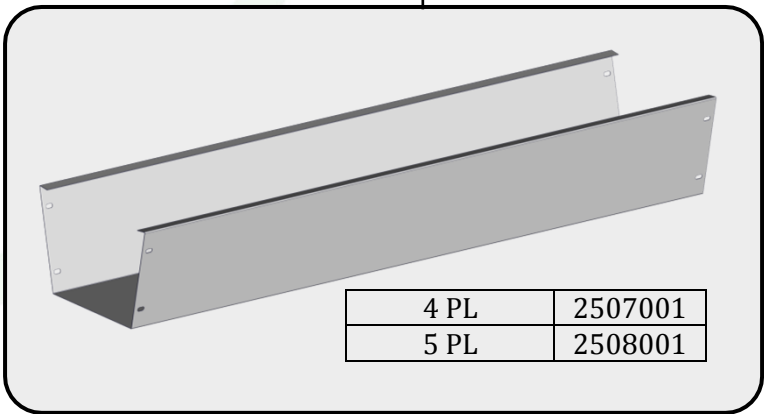


8 PL	VE2510
10 PL	VE2511

SAC 142



**VE2503
2507050**



4 PL	2507001
5 PL	2508001



METAL TROUGH FOR CALF HEADLOCK 8,10 PLACES

THIS DOCUMENT IS THE EXCLUSIVE PROPERTY OF JOURDAIN SAS, IT IS PROVIDED ON A CONFIDENTIAL BASIS. IT MUST NEITHER BE COPIED, NOR DISCLOSED TO A THIRD PARTY WITHOUT OUR WRITTEN AUTORIZATION

FTB

12/06/2017