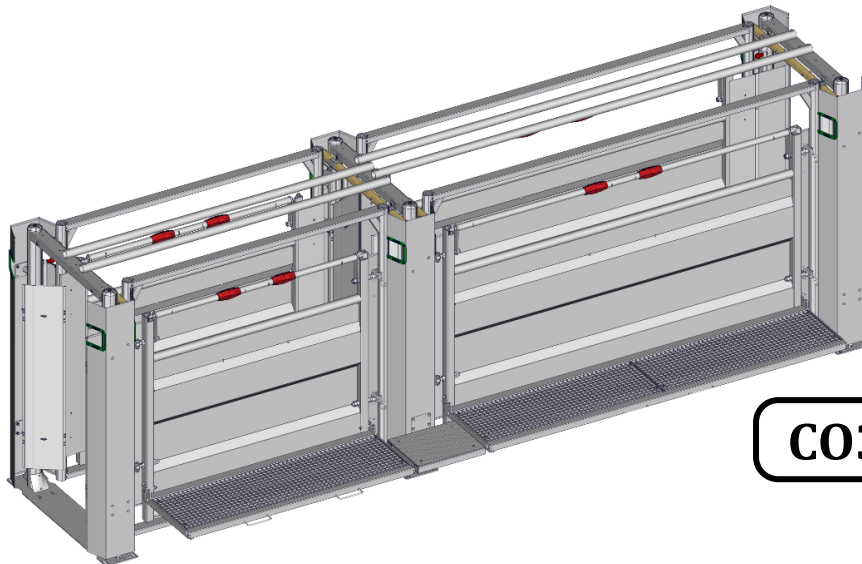




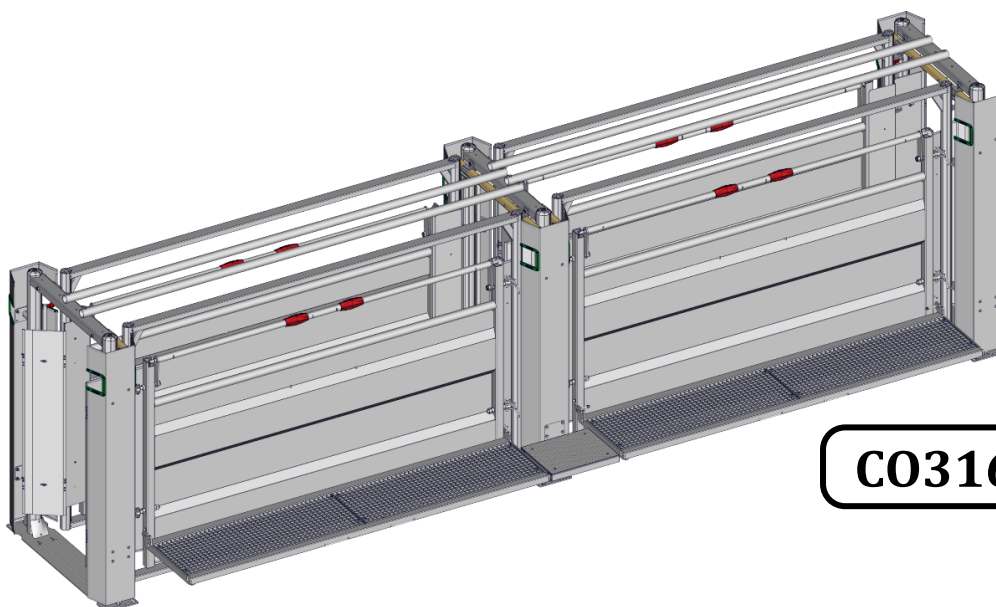
JOURDAIN
www.jourdain-group.com

C03163
C03164

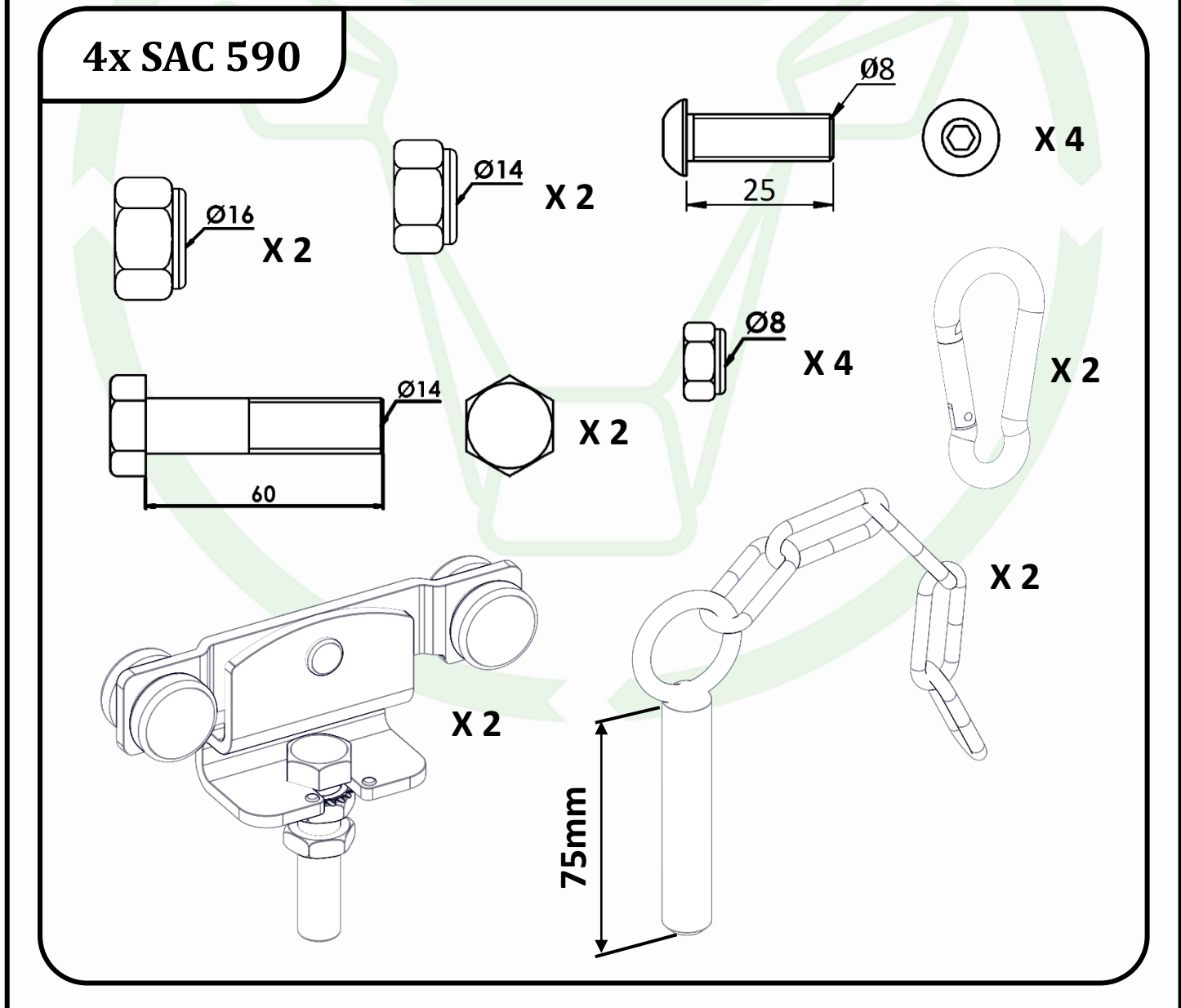
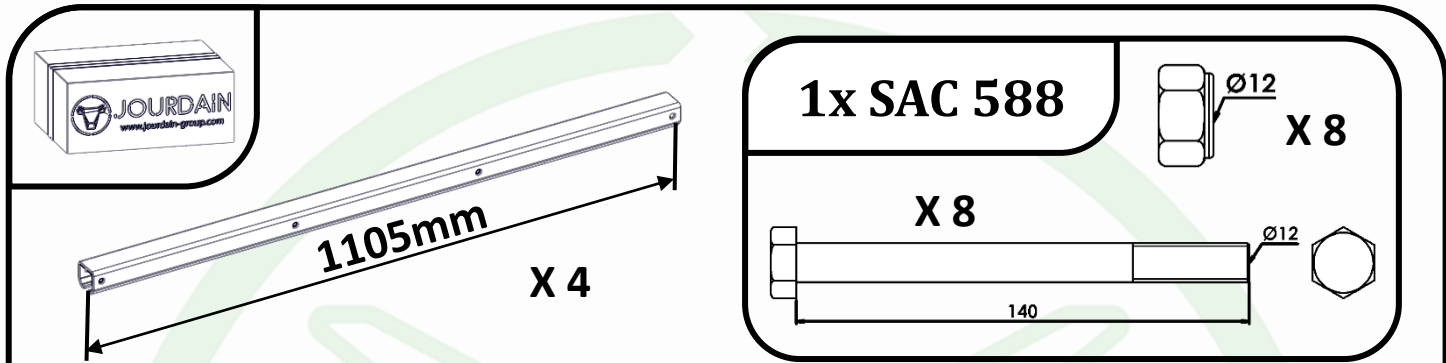
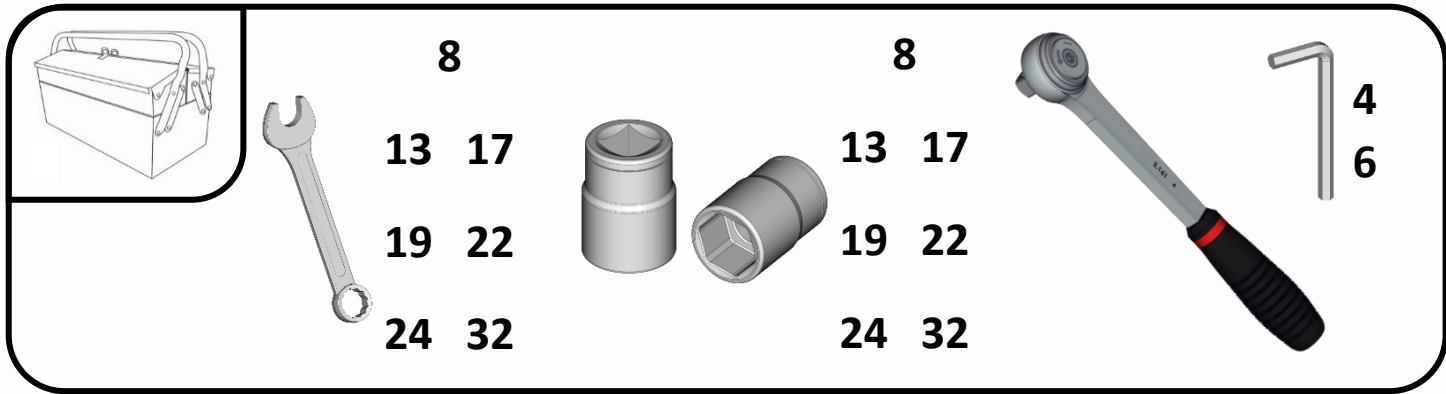
COULOIR REGLABLE DE CONTENTION
ADJUSTABLE RACE
CORRAL DE MANEJO AJUSTABLE
VERSTELLBARER BEHANDLUNGSGANG



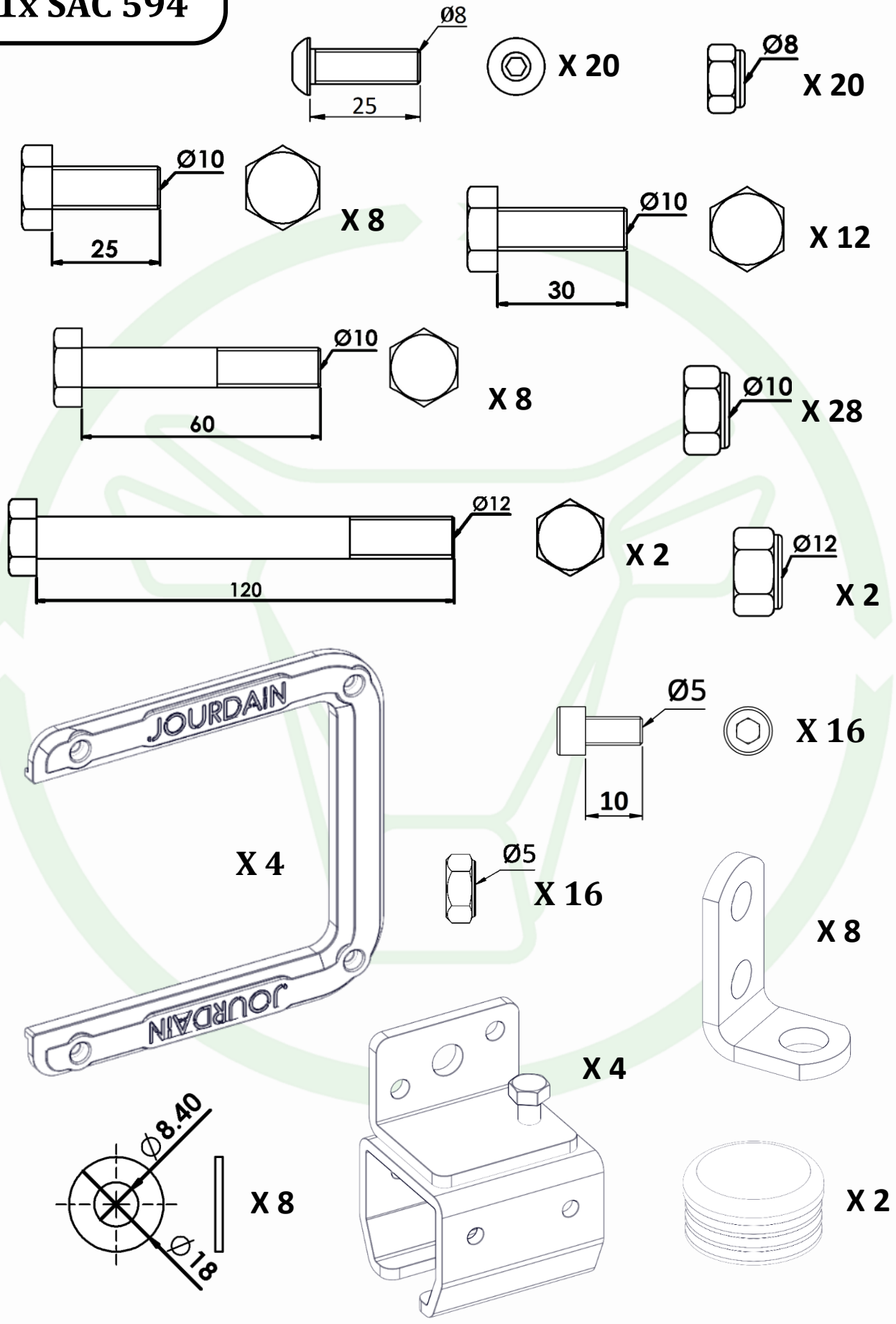
C03163

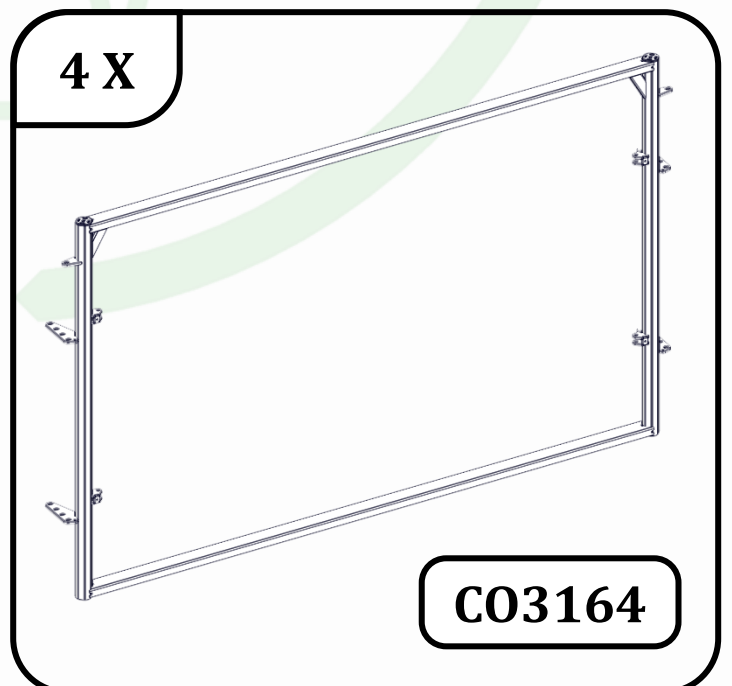
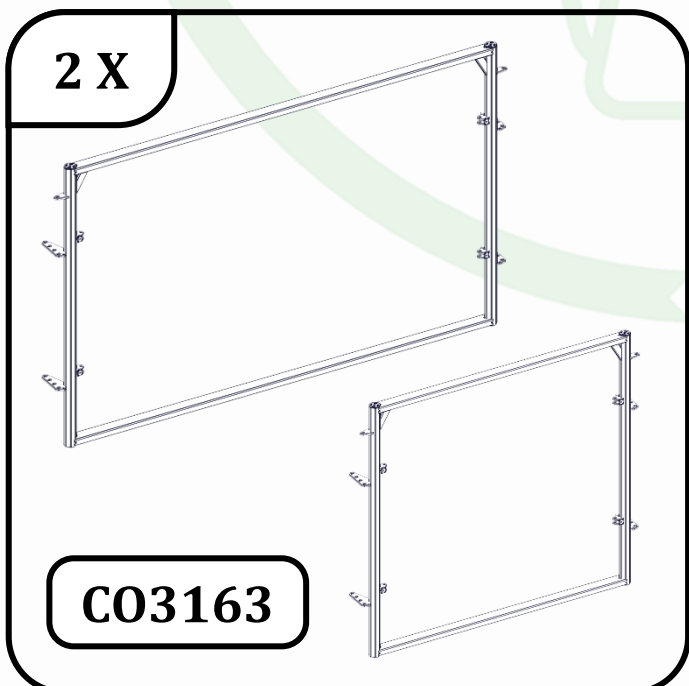
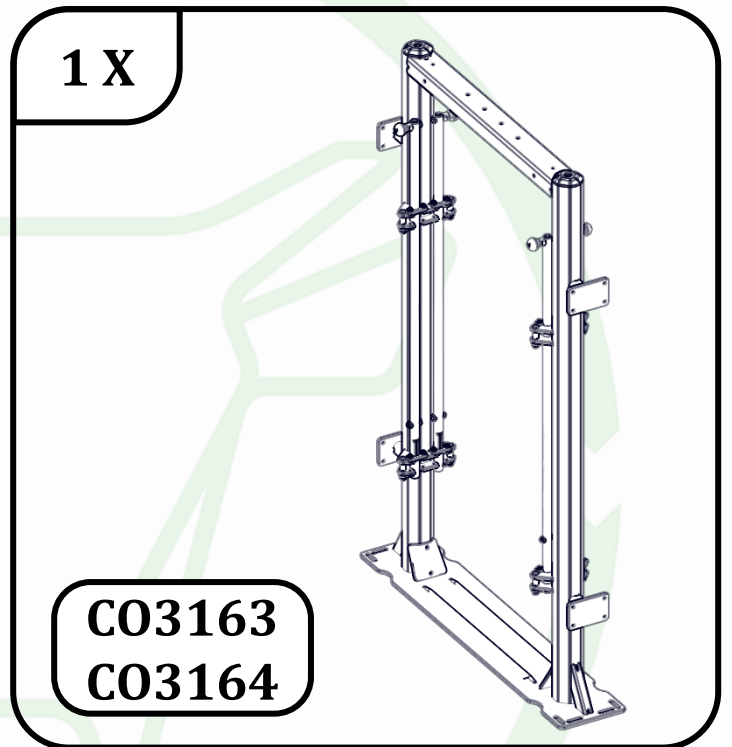
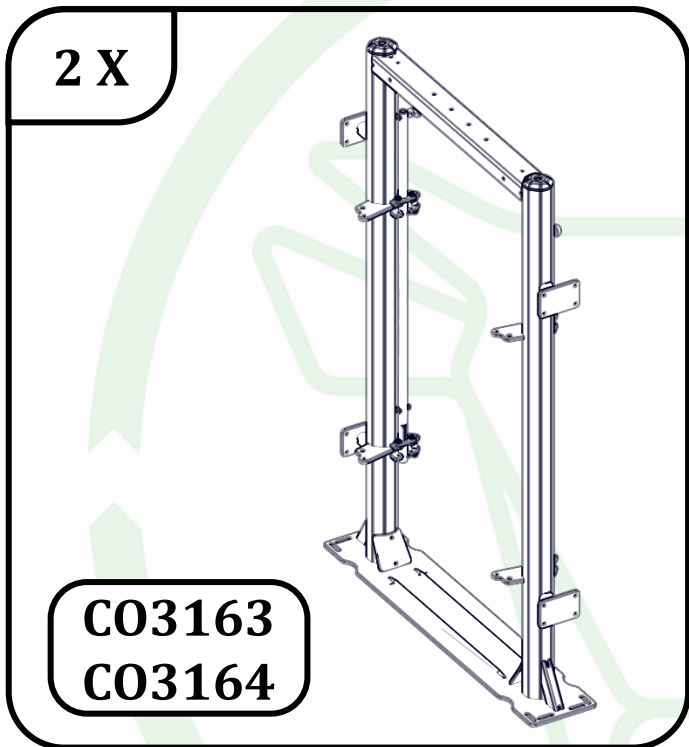
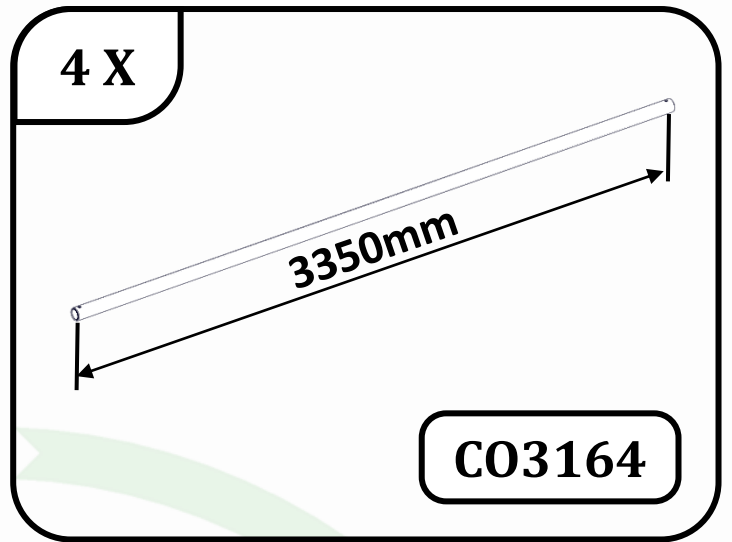
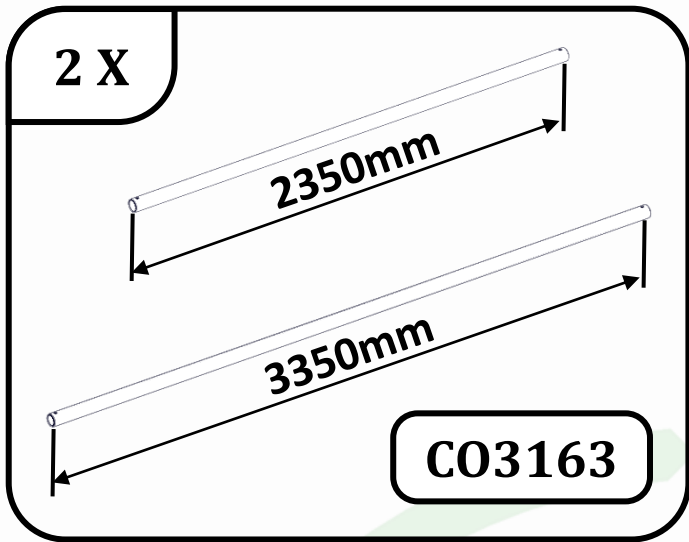


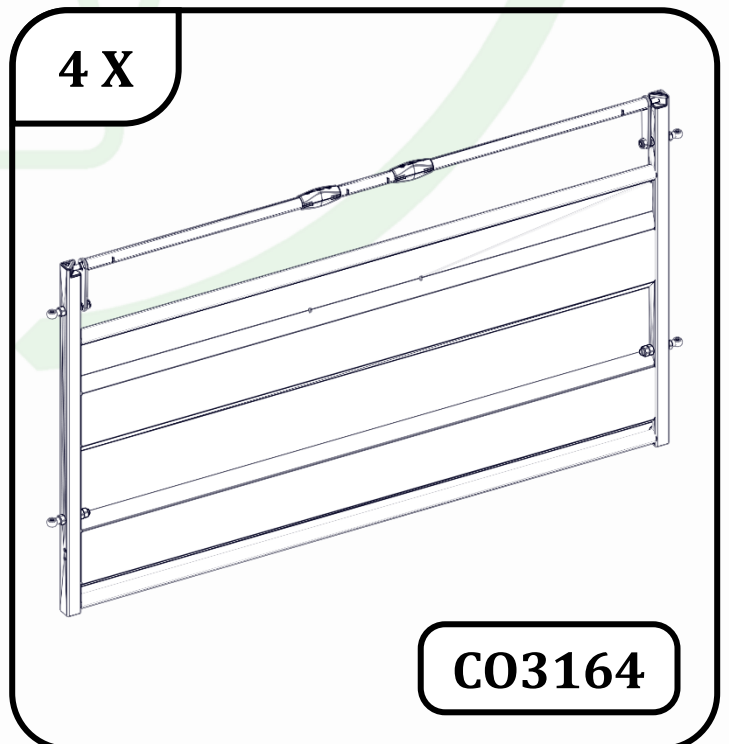
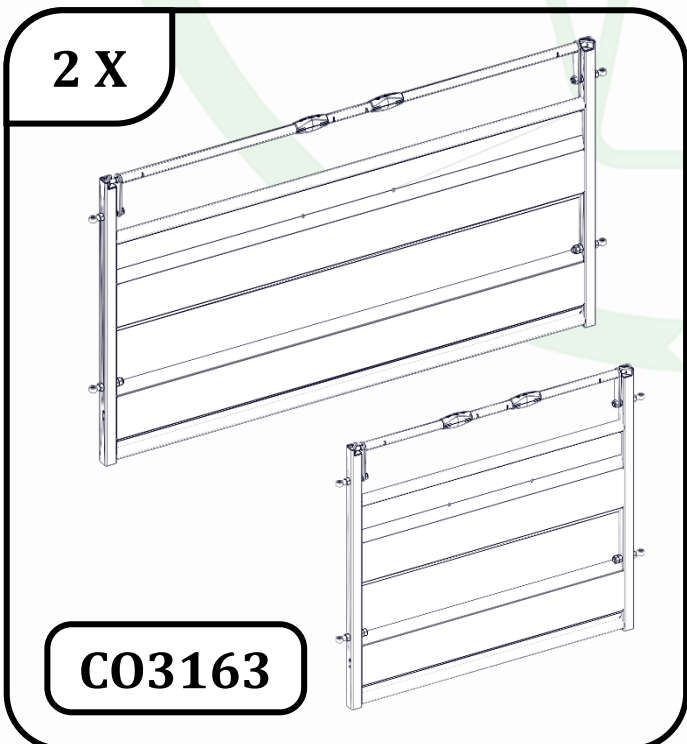
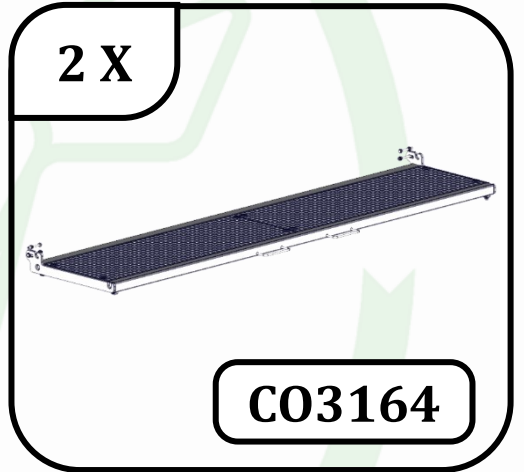
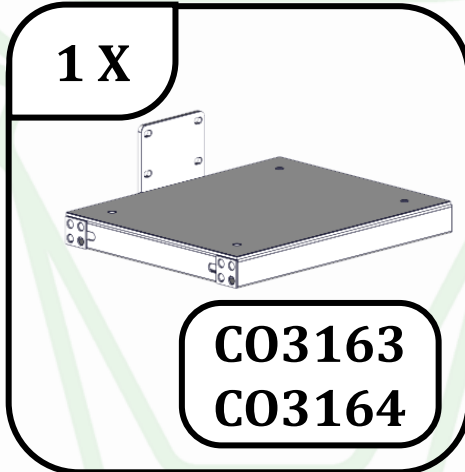
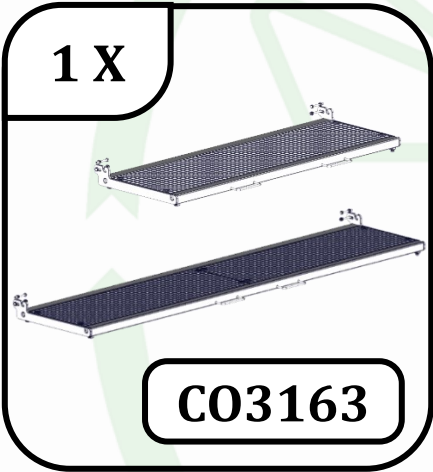
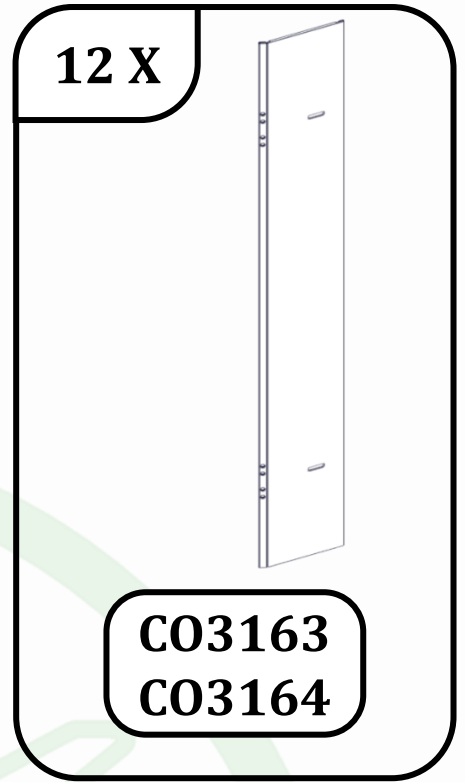
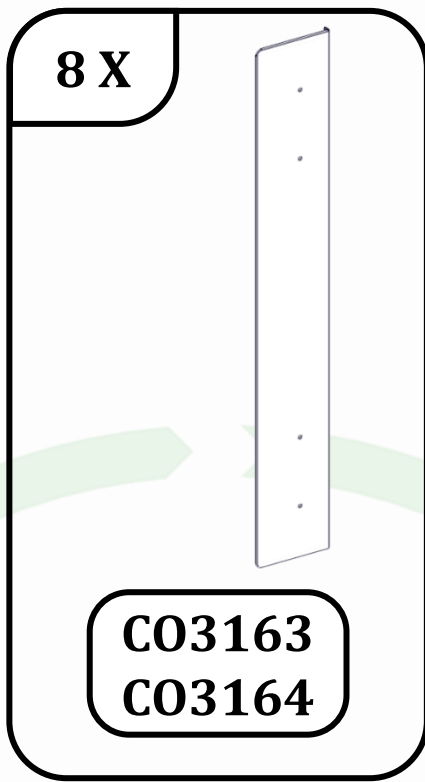
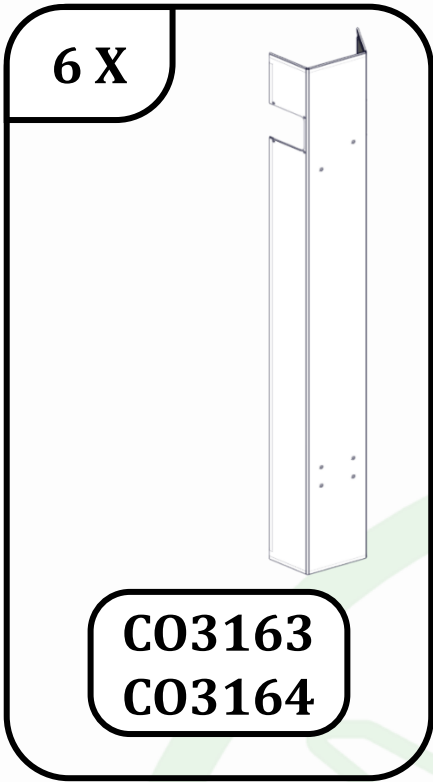
C03164



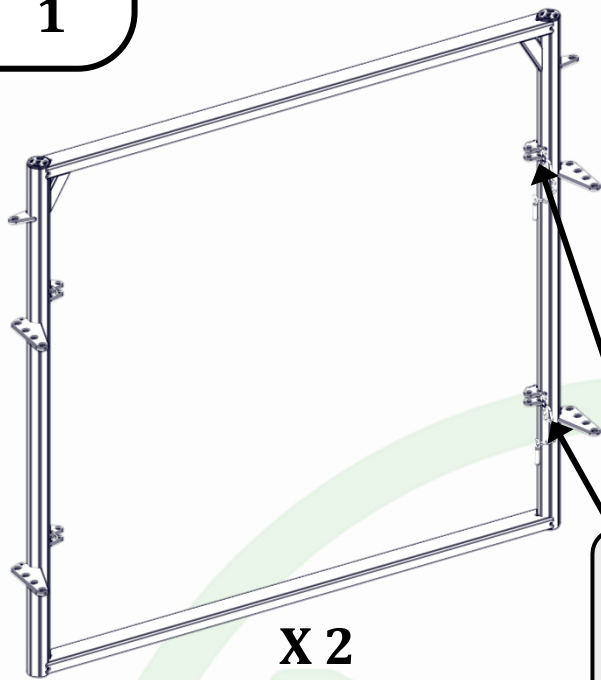
1x SAC 594



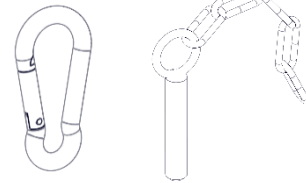
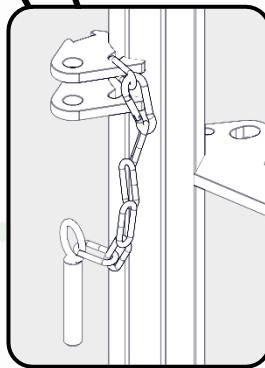




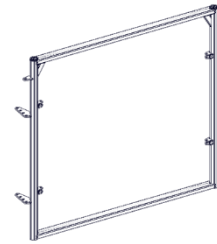
1



X 2



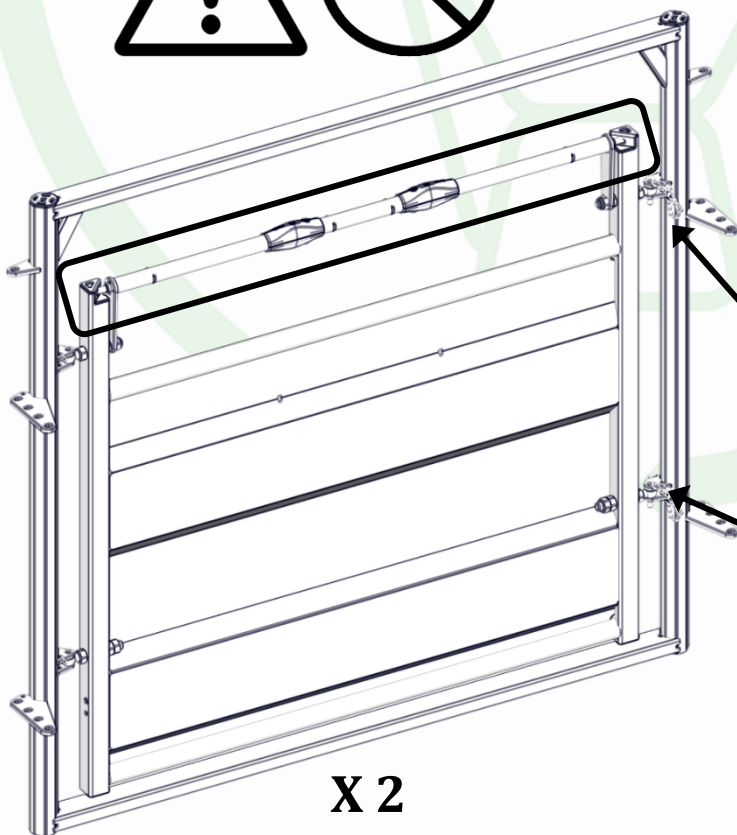
X 4



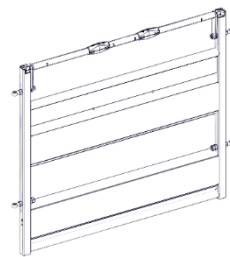
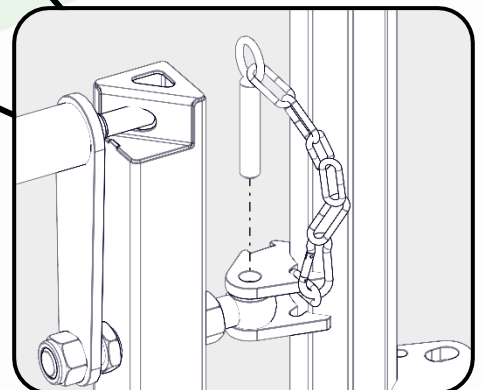
X 2

2 X SAC 590

2

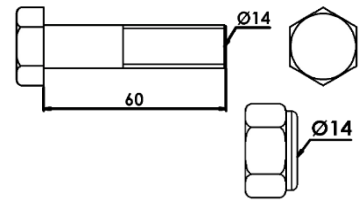


X 2



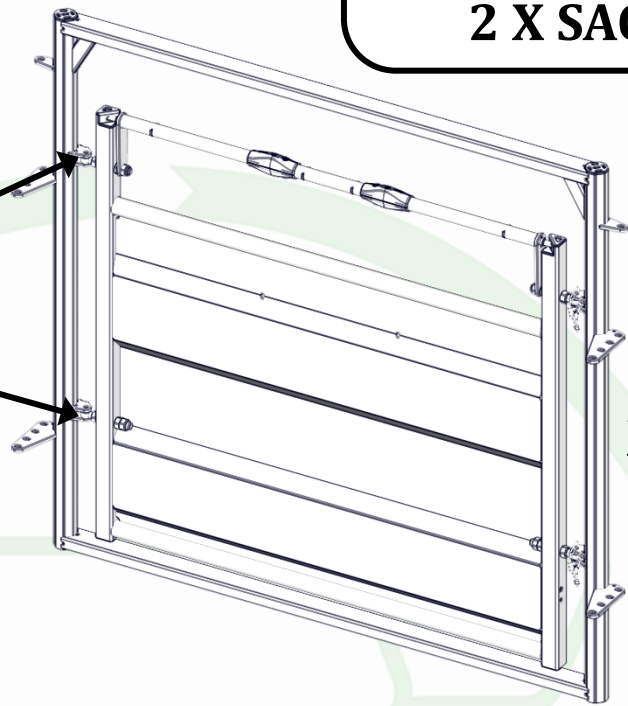
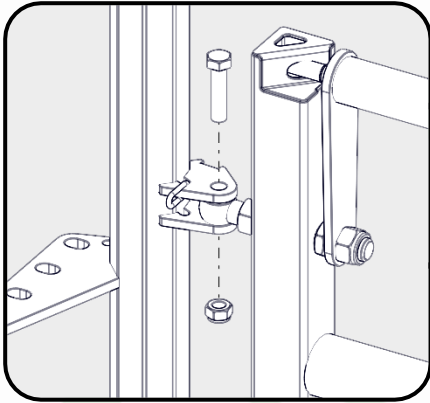
X 2

3



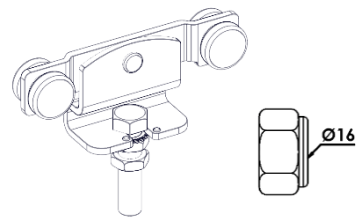
X 4

2 X SAC 590



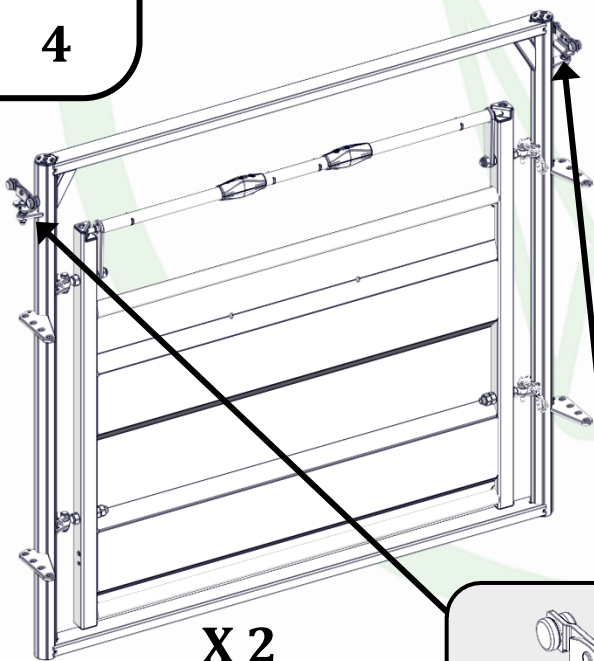
X 2

4

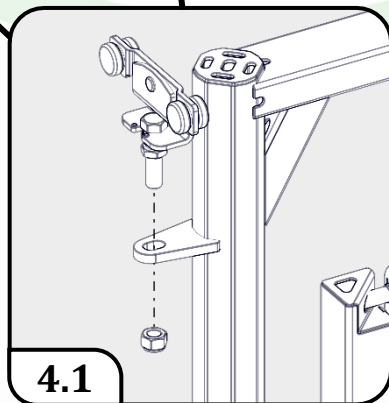


X 4

2 X SAC 590

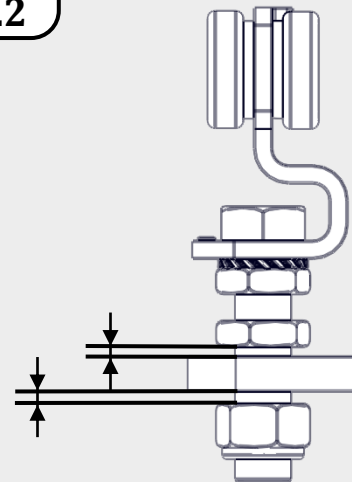


X 2

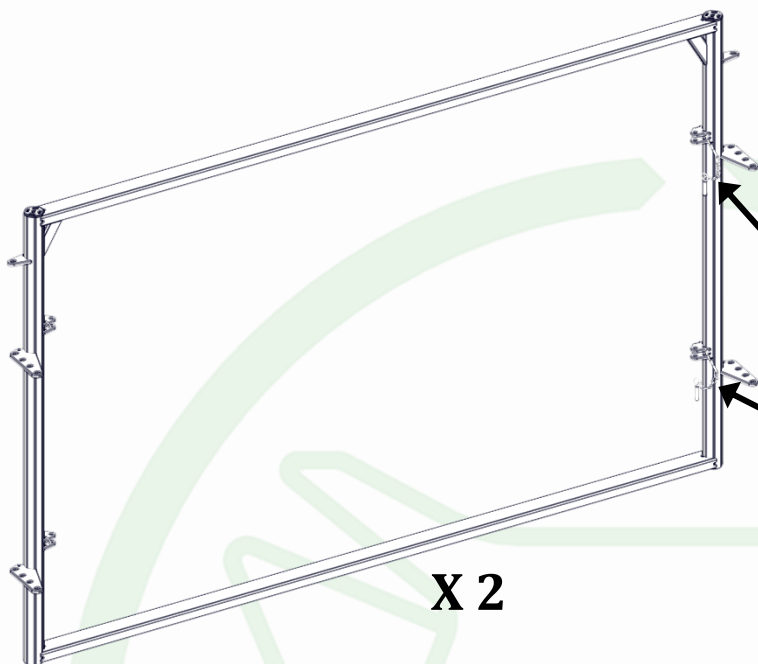


4.1

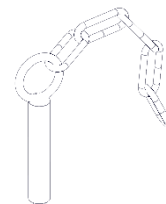
4.2



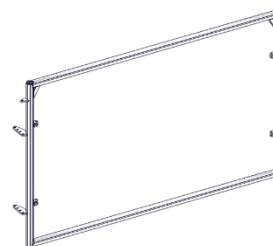
5



X 2

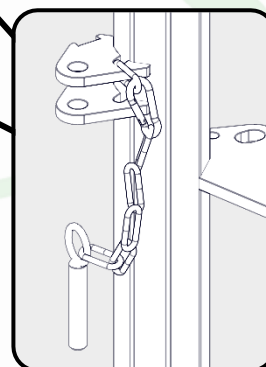


X 4

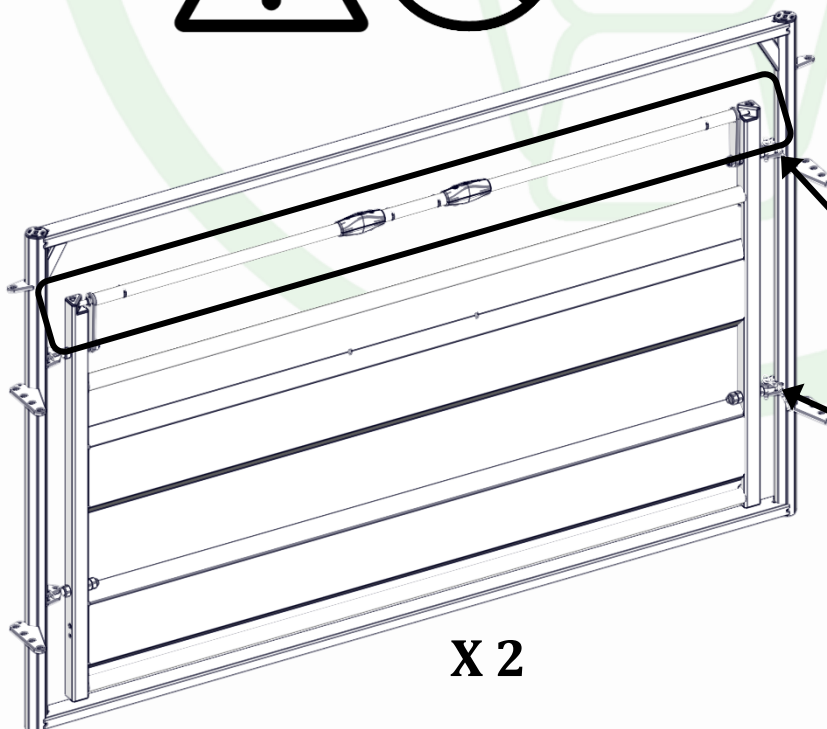


X 2

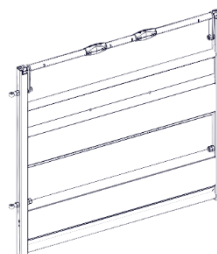
2 X SAC 590



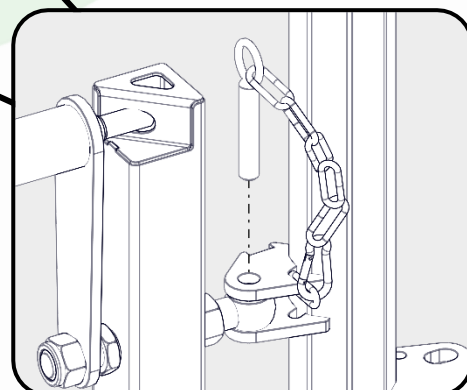
6



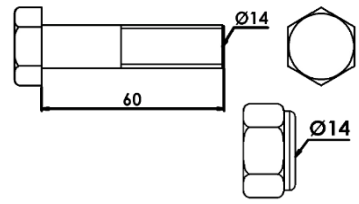
X 2



X 2

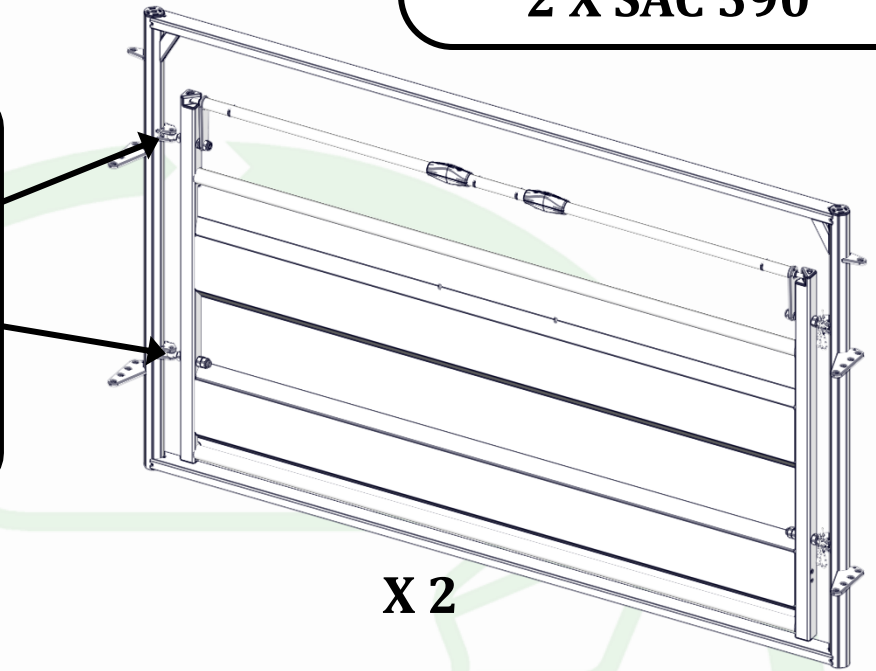
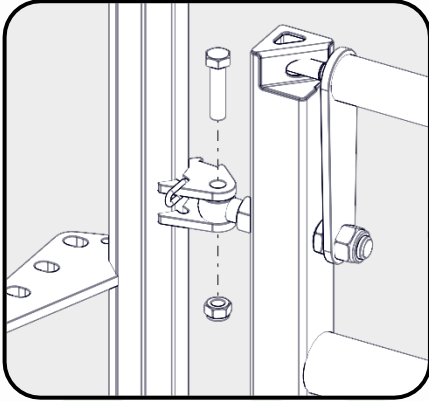


7



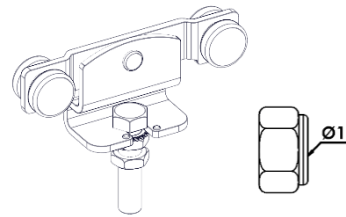
X 4

2 X SAC 590



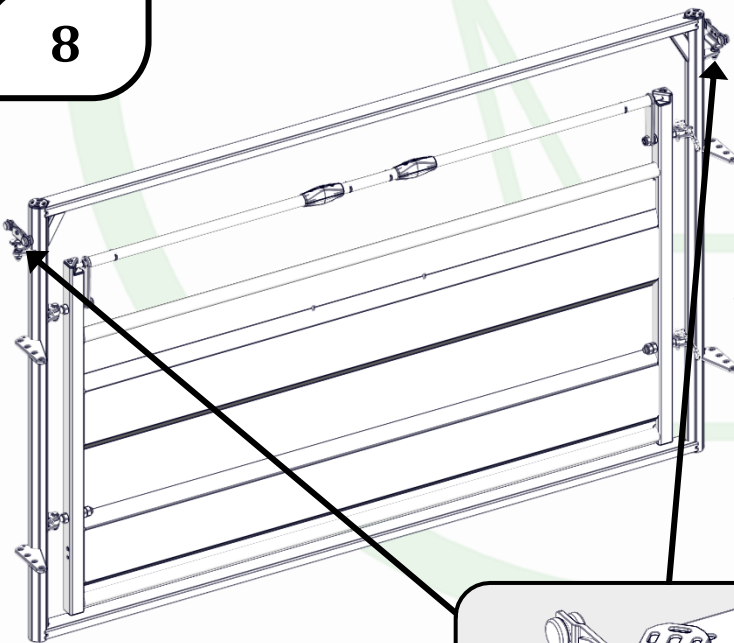
X 2

8

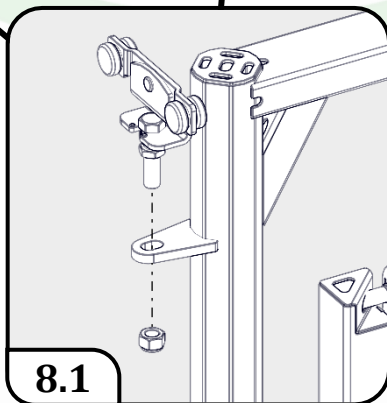


X 4

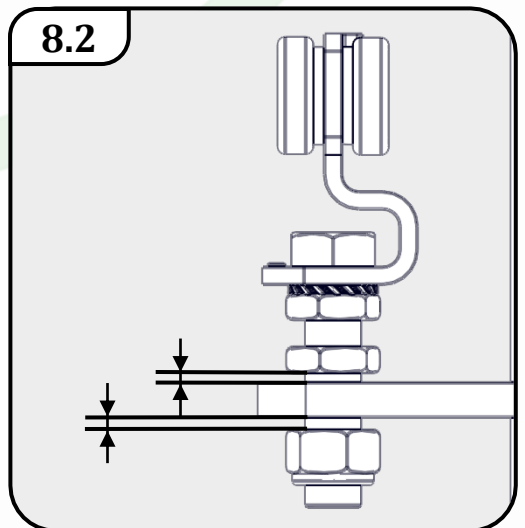
2 X SAC 590



X 2

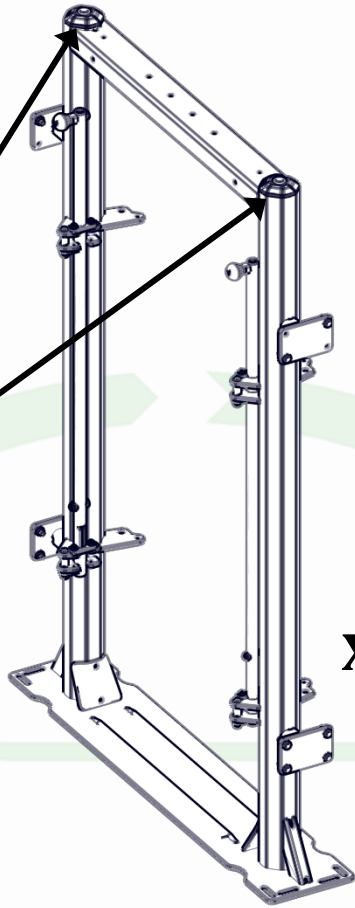
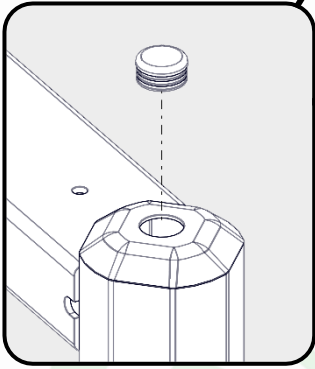


8.1

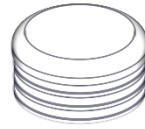


8.2

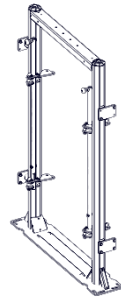
9



X 2



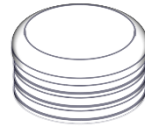
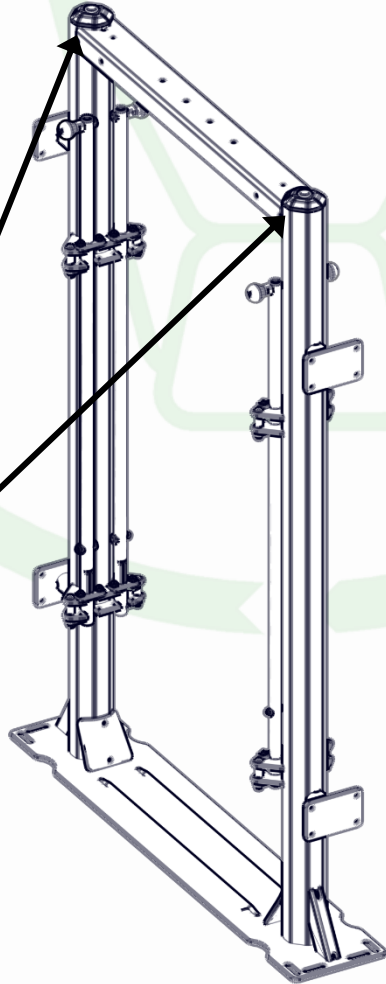
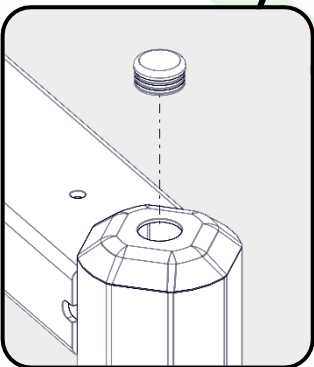
X 4



X 2

2 X SAC 592

10



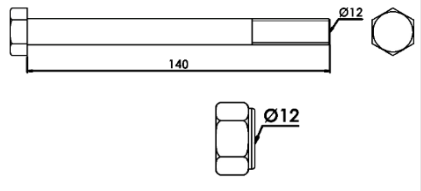
X 2



X 1

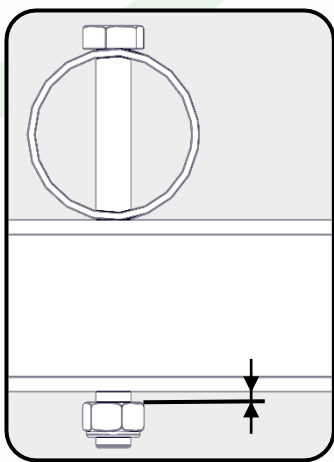
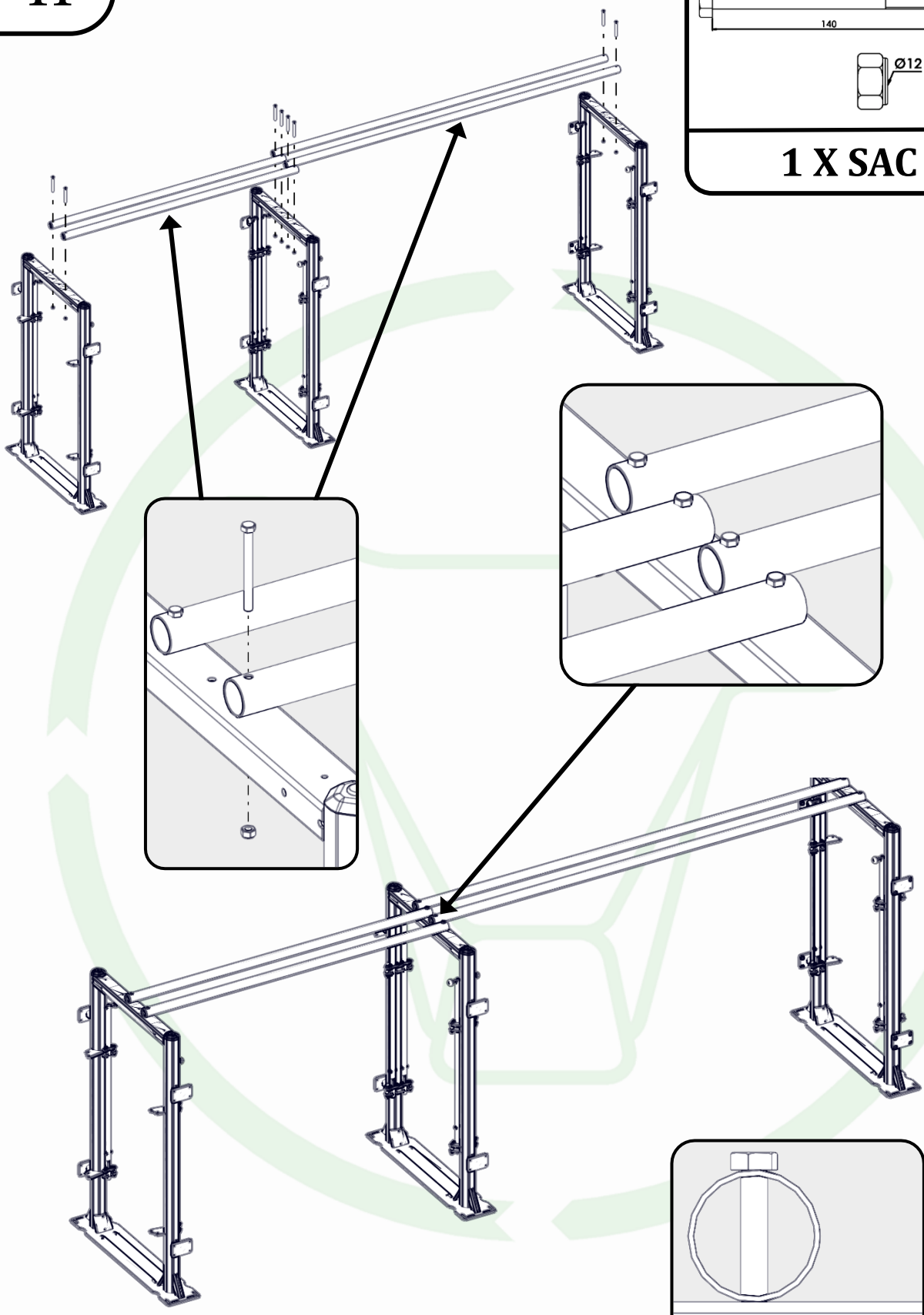
1 X SAC 594

11

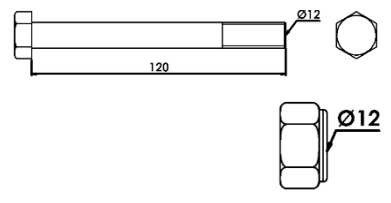
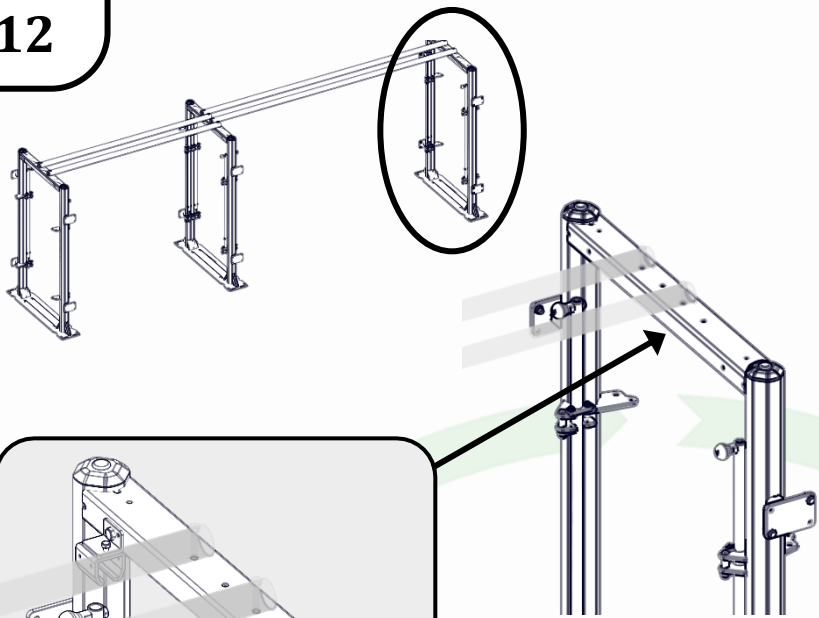


X 8

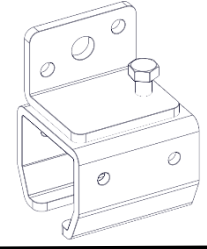
1 X SAC 588



12

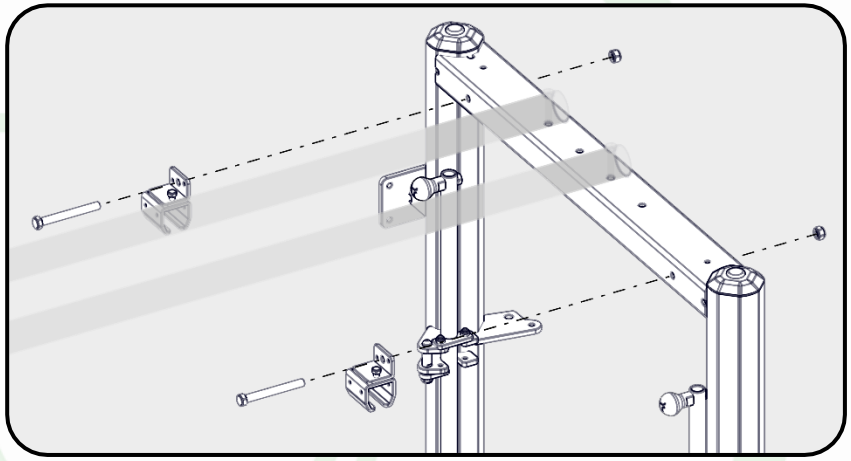
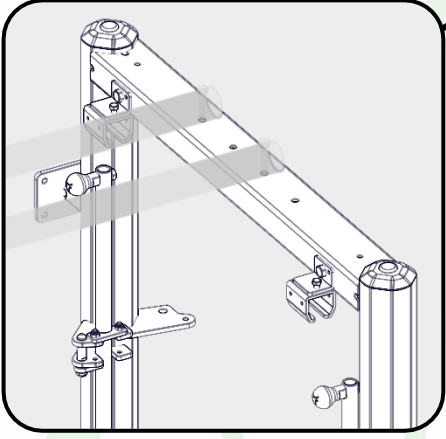


X 2

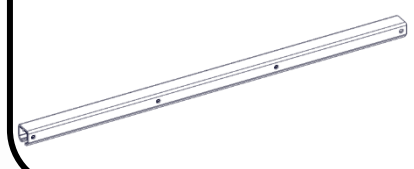
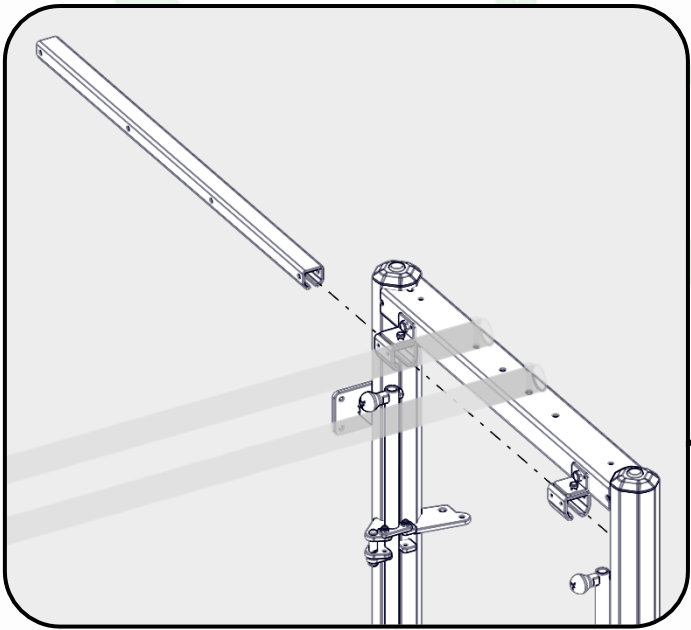


X 2

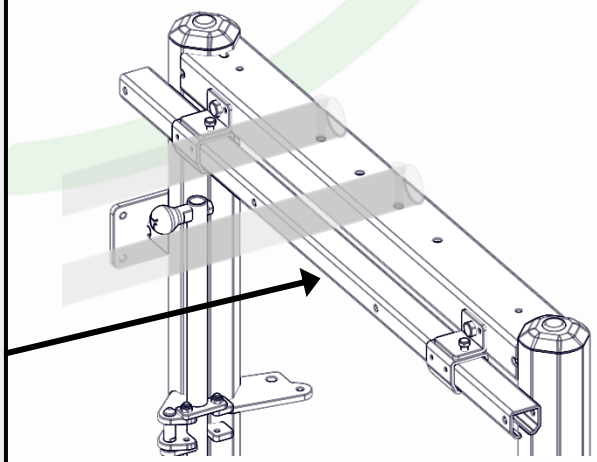
1 X SAC 592



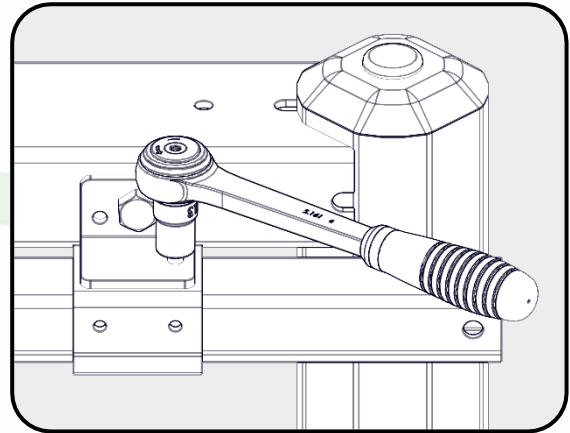
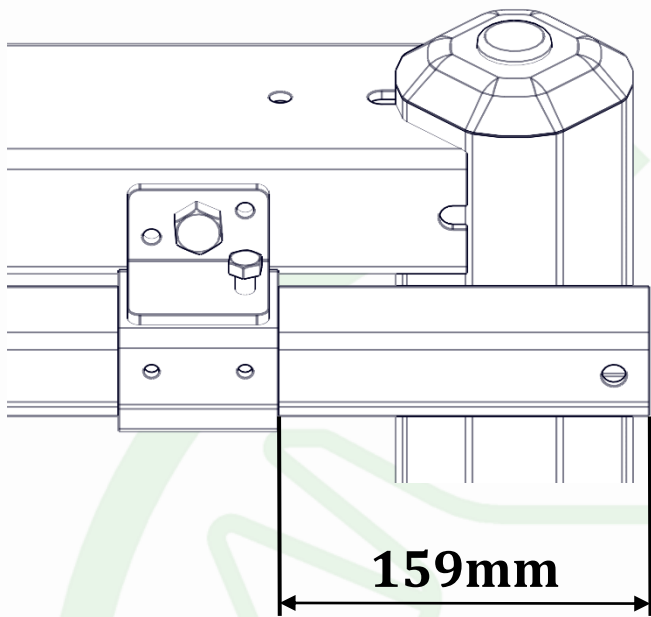
13



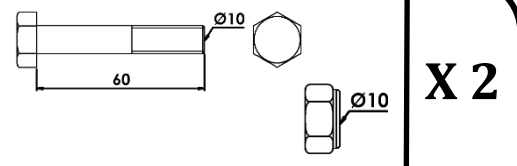
X 1



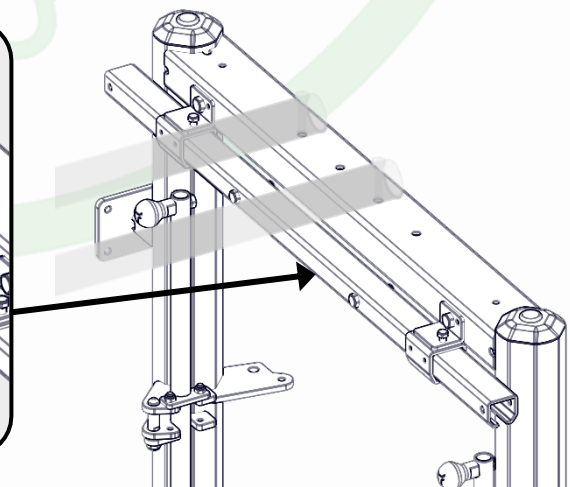
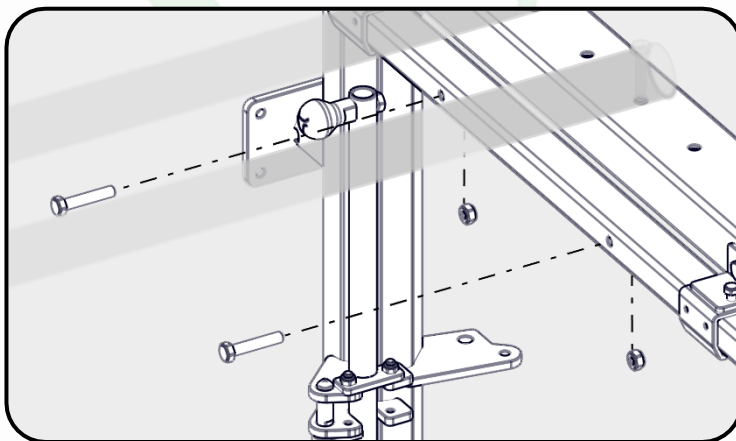
14



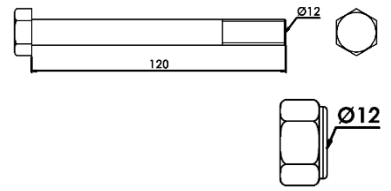
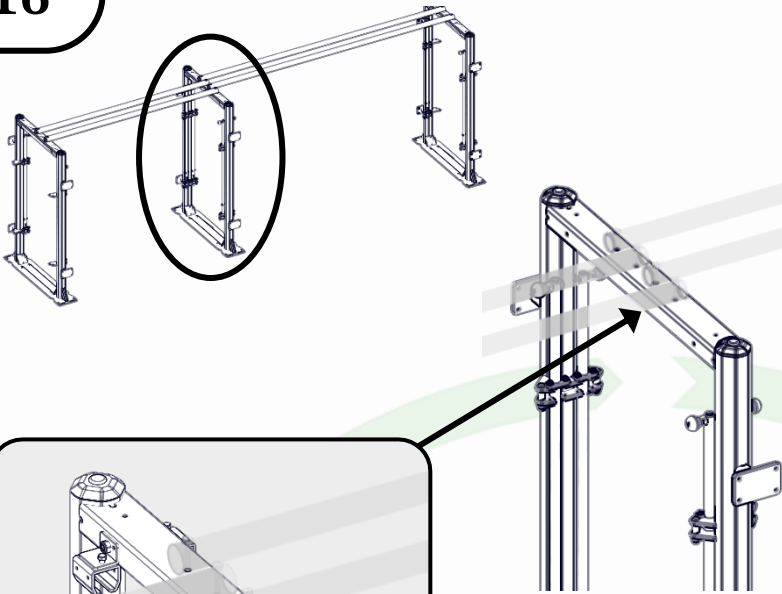
15



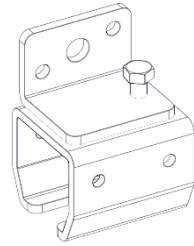
1 X SAC 592



16

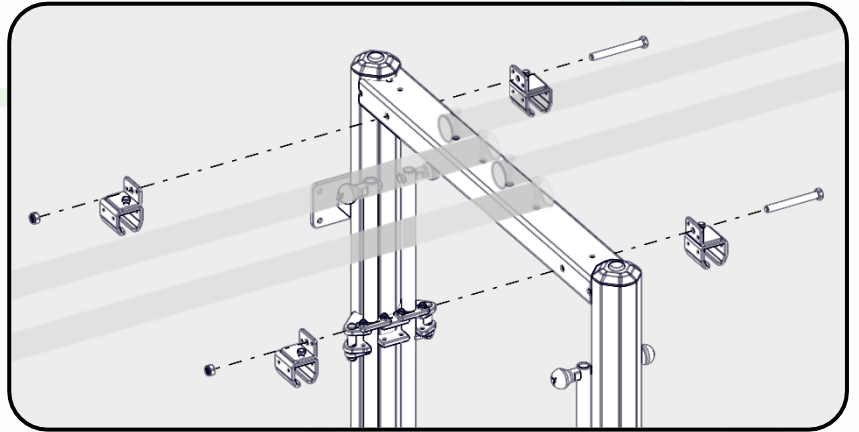
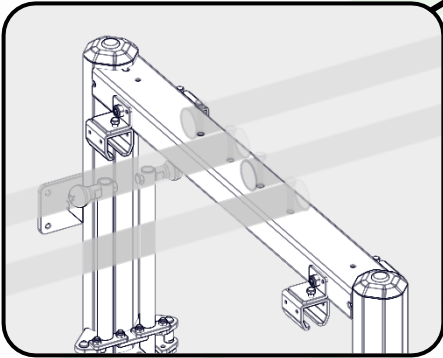


X 2

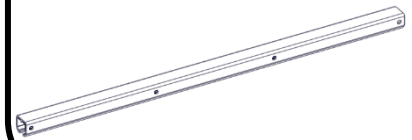
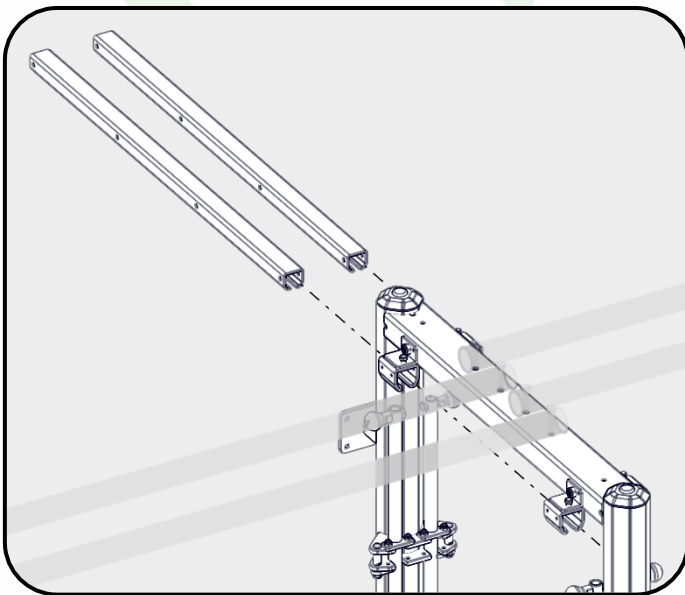


X 4

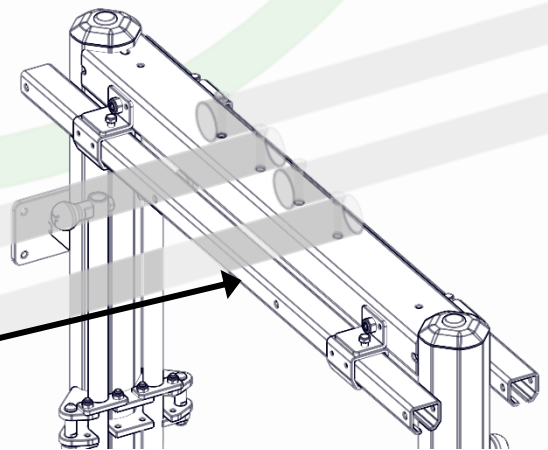
1 X SAC 594



17

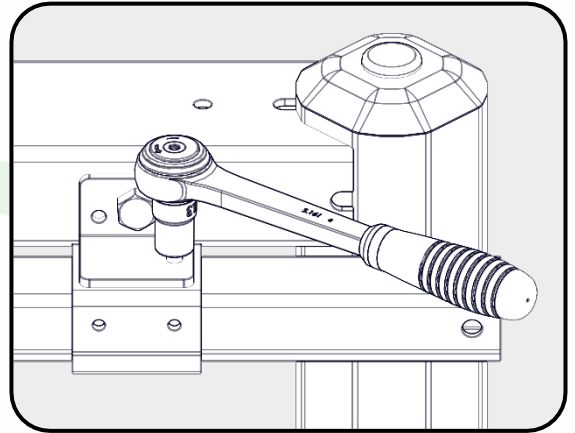
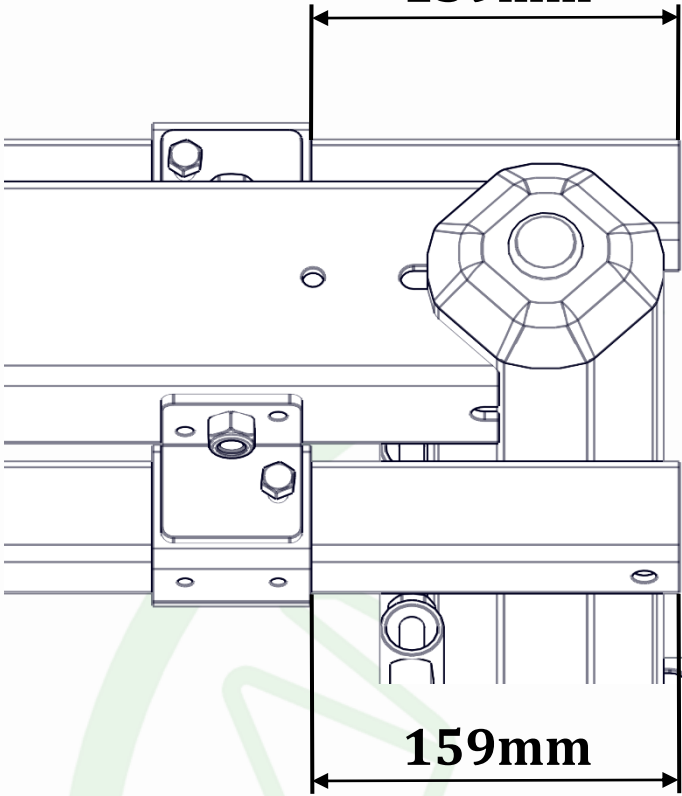


X 2

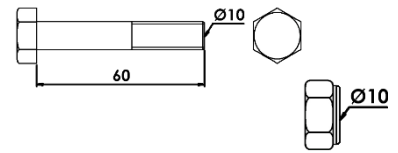


18

159mm

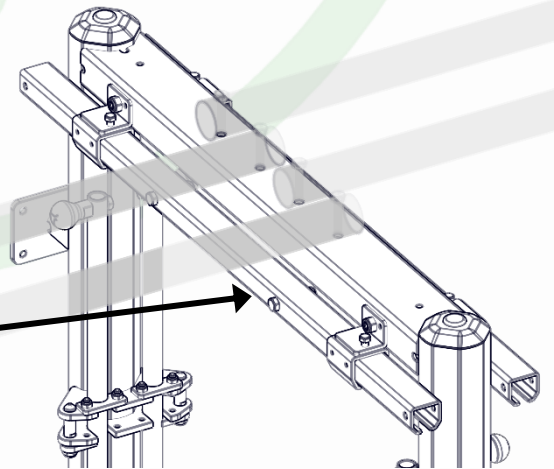
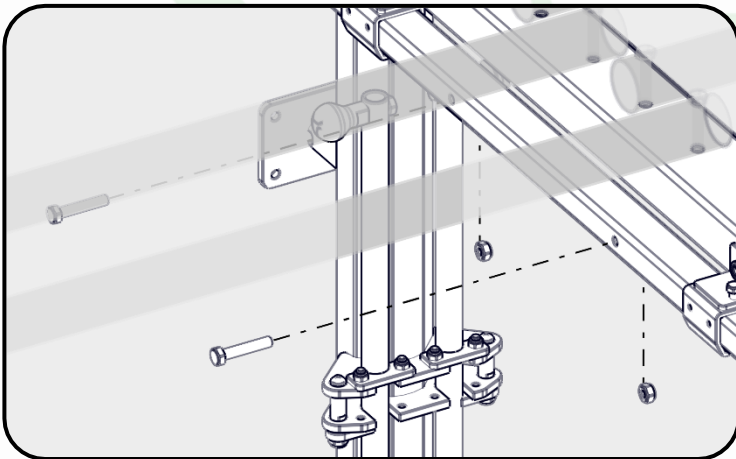


19

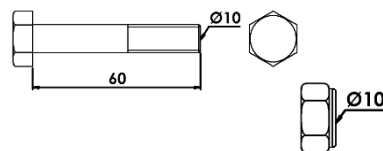


X 2

1 X SAC 594

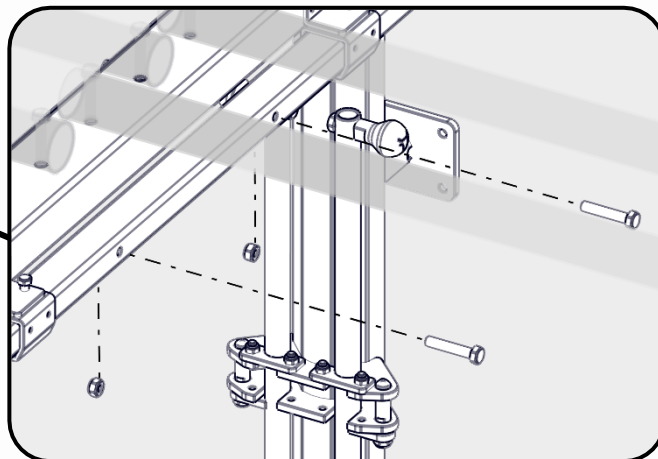
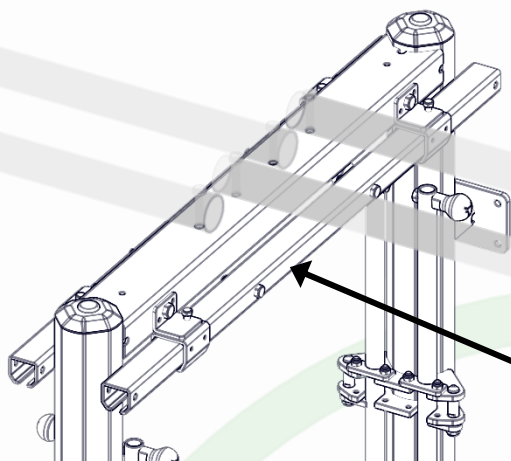


20

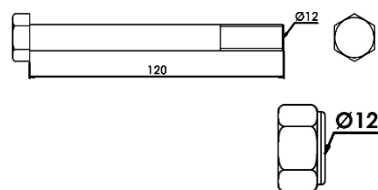


X 2

1 X SAC 594

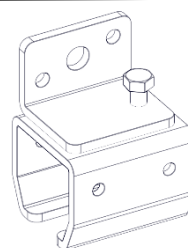


21

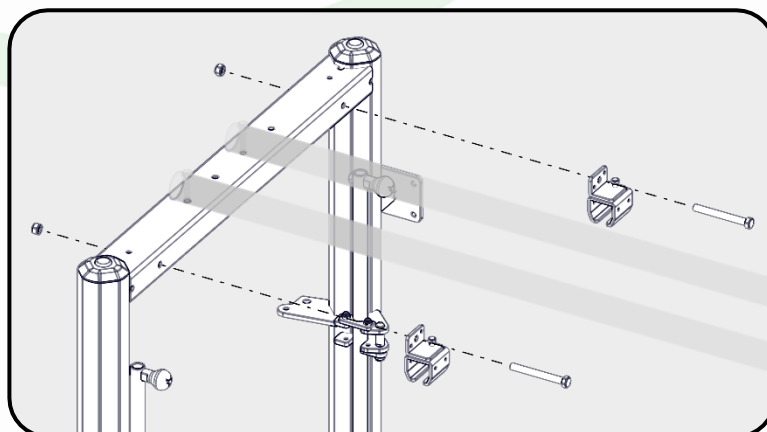
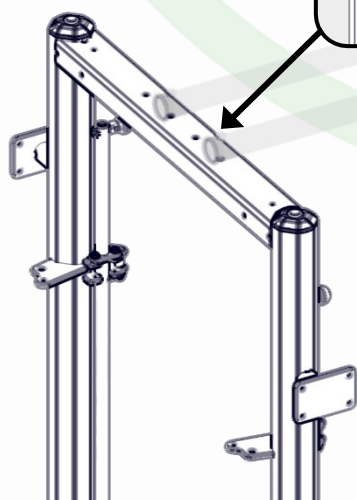
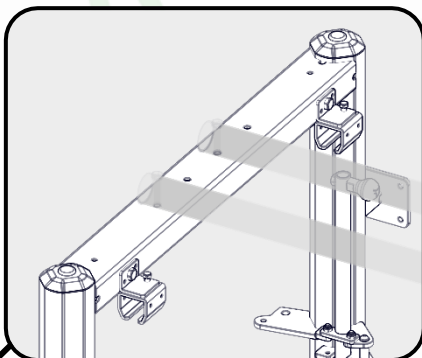
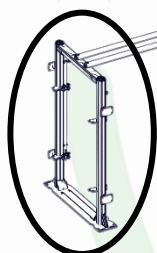


X 2

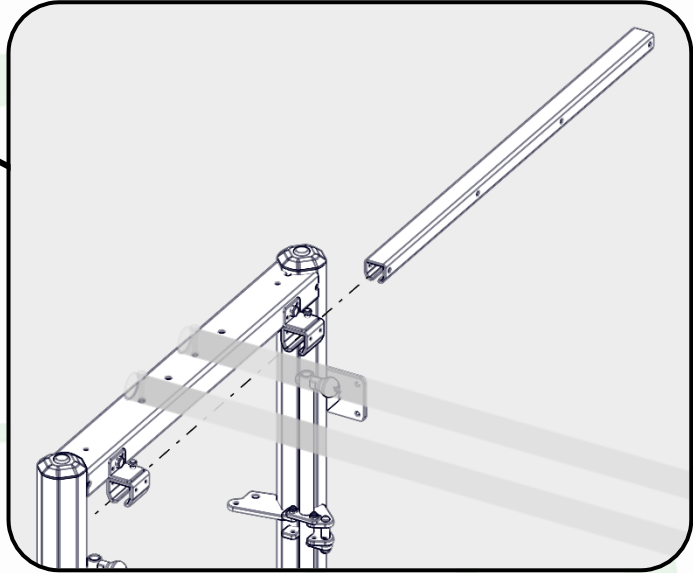
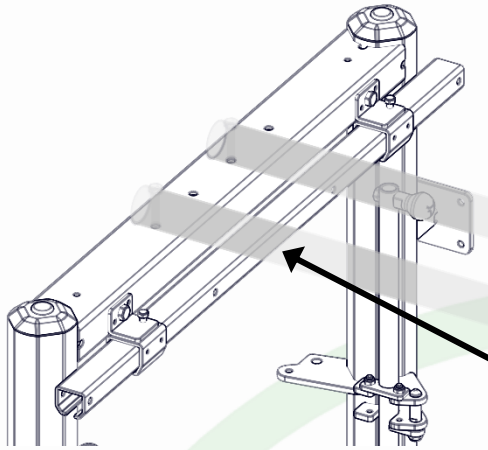
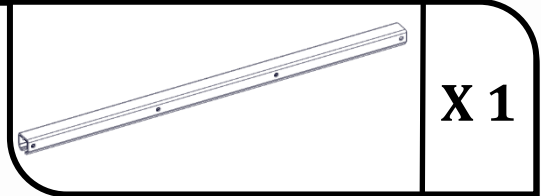
1 X SAC 594



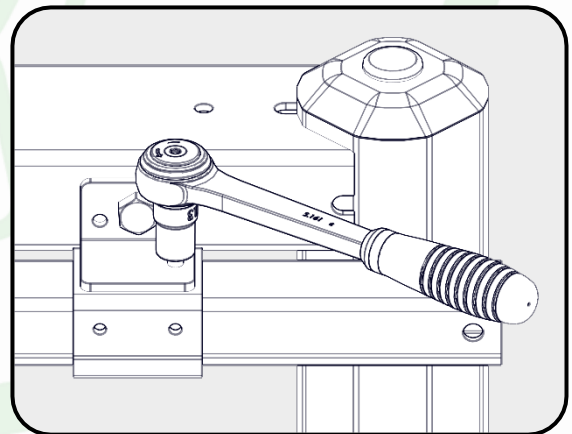
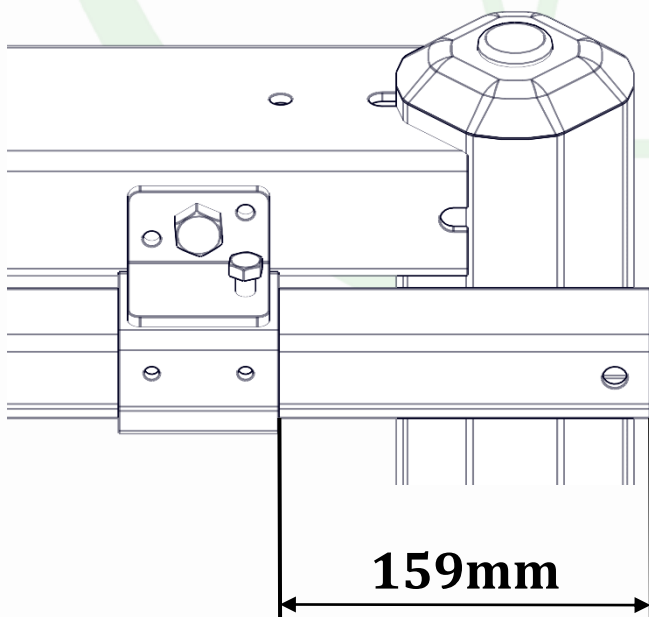
X 4



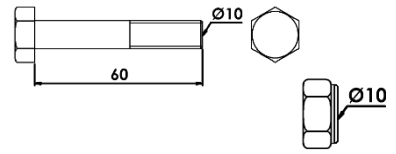
22



23

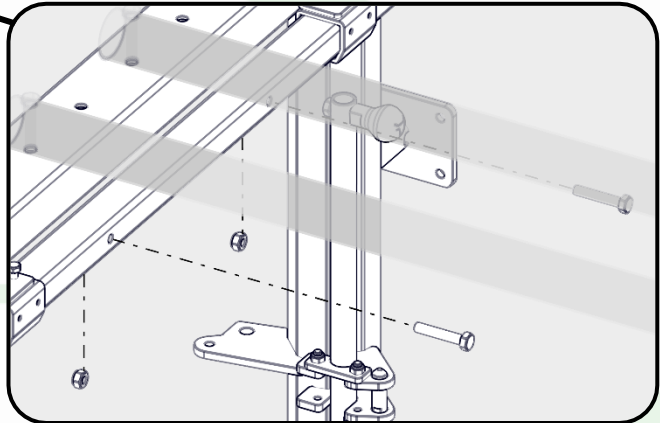
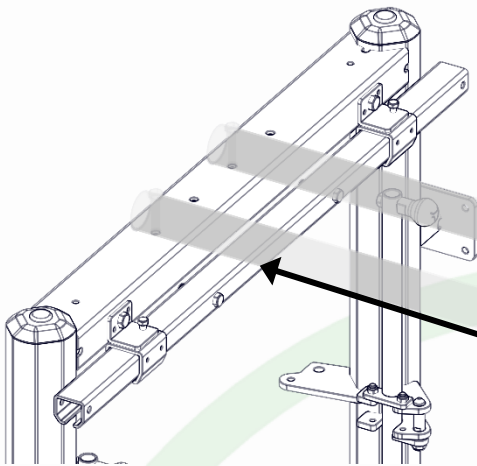


24

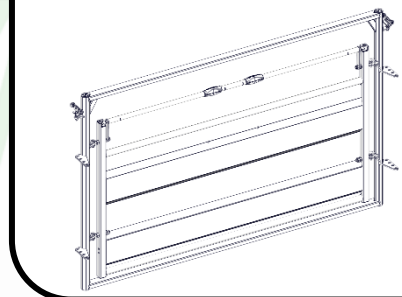
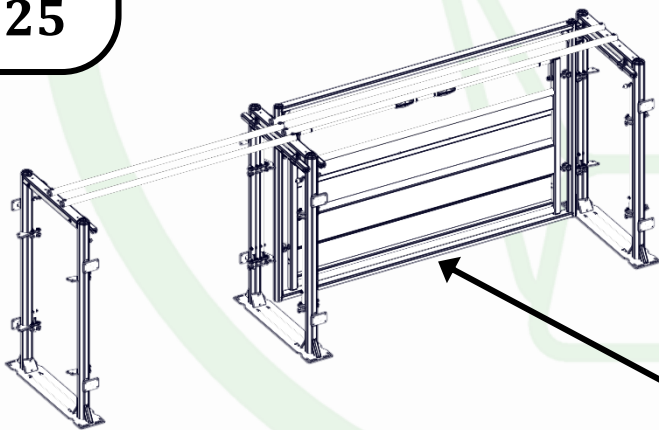


X 2

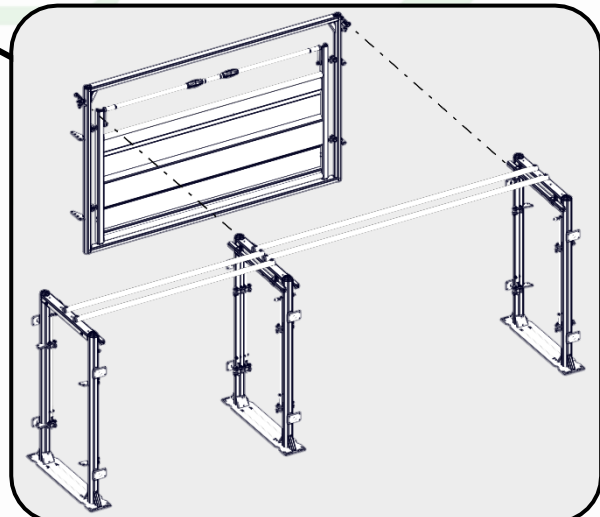
1 X SAC 592



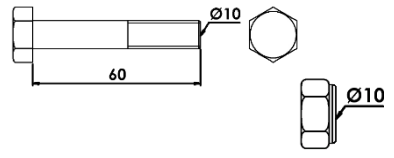
25



X 1

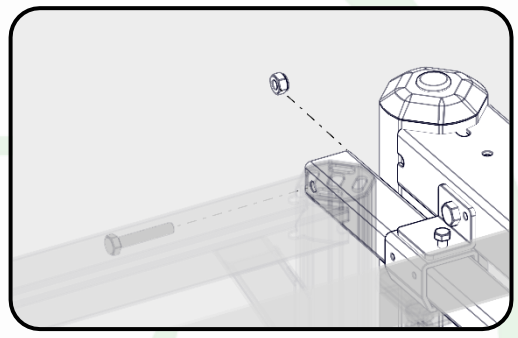
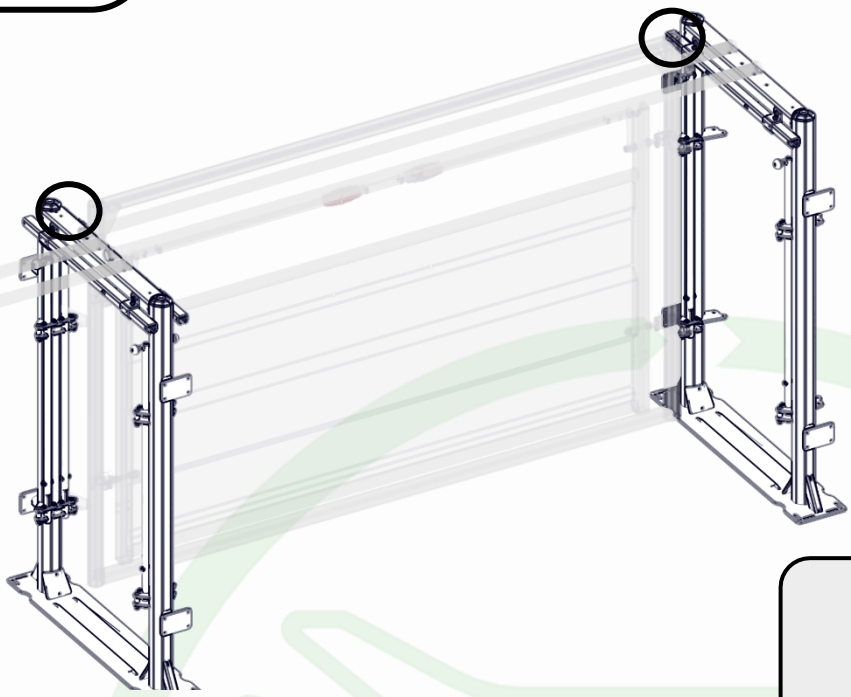


26

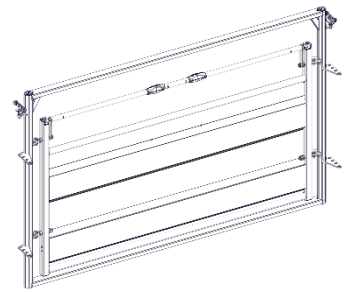


X 2

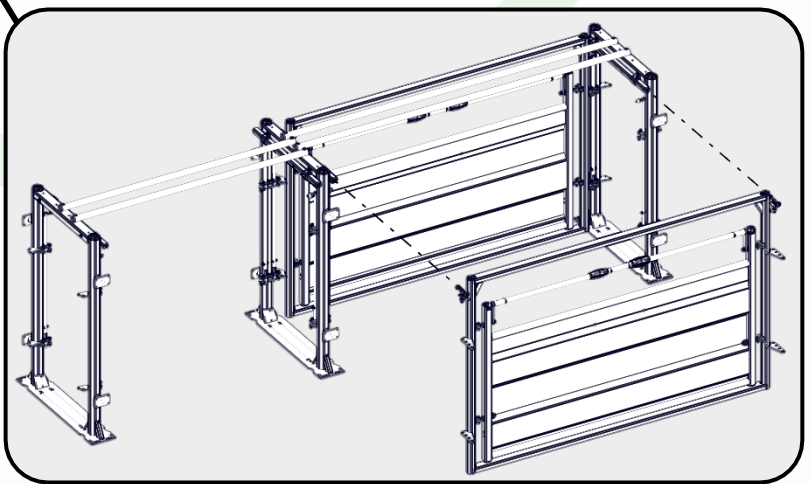
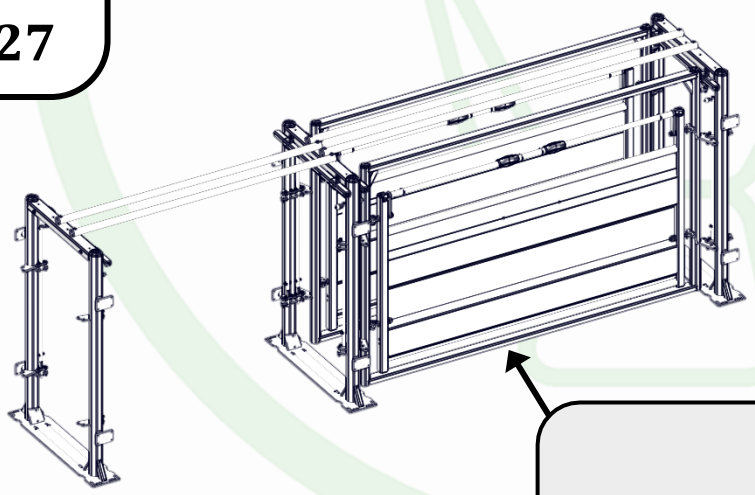
1 X SAC 592



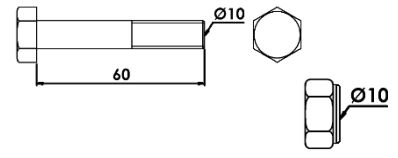
27



X 1

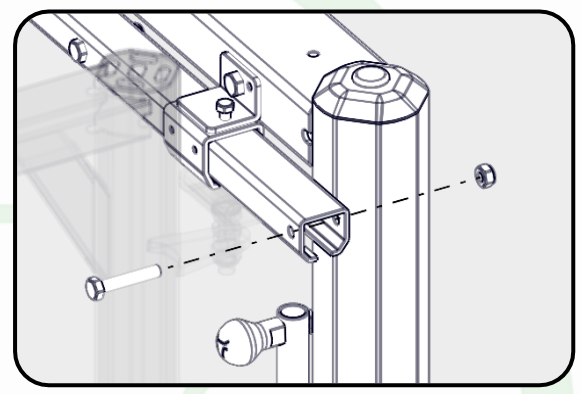
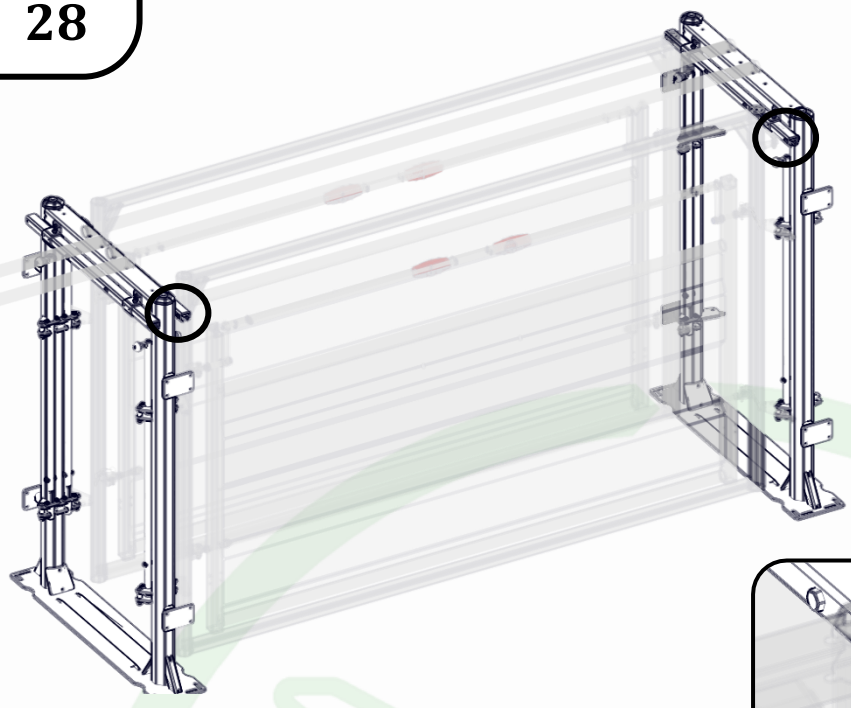


28

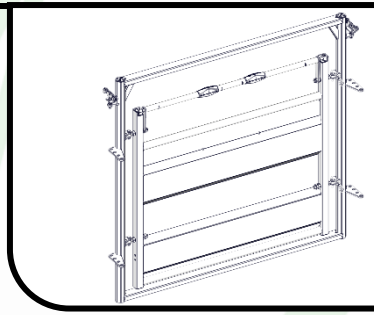


X 2

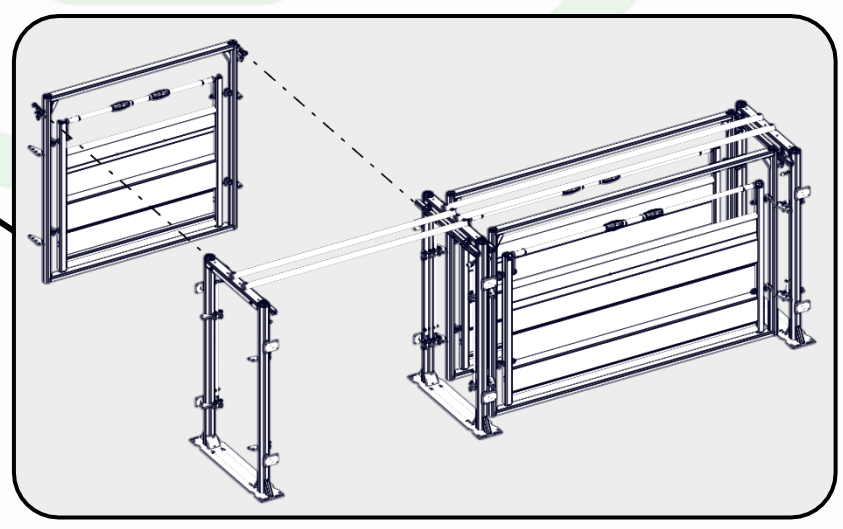
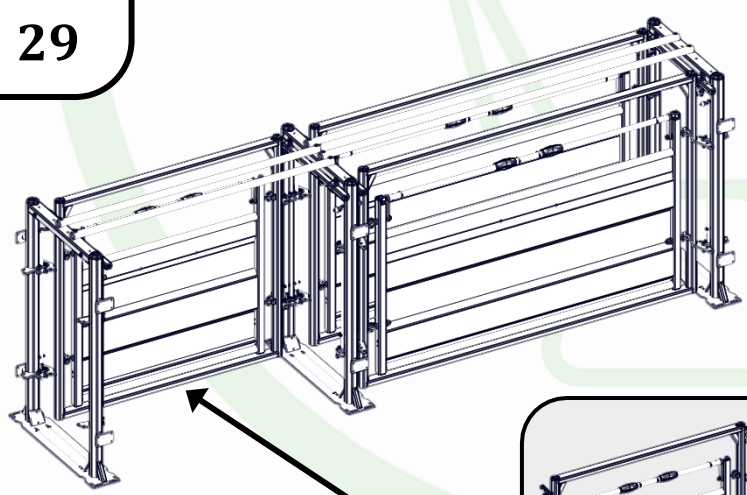
1 X SAC 592



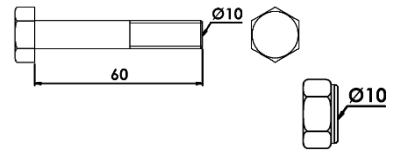
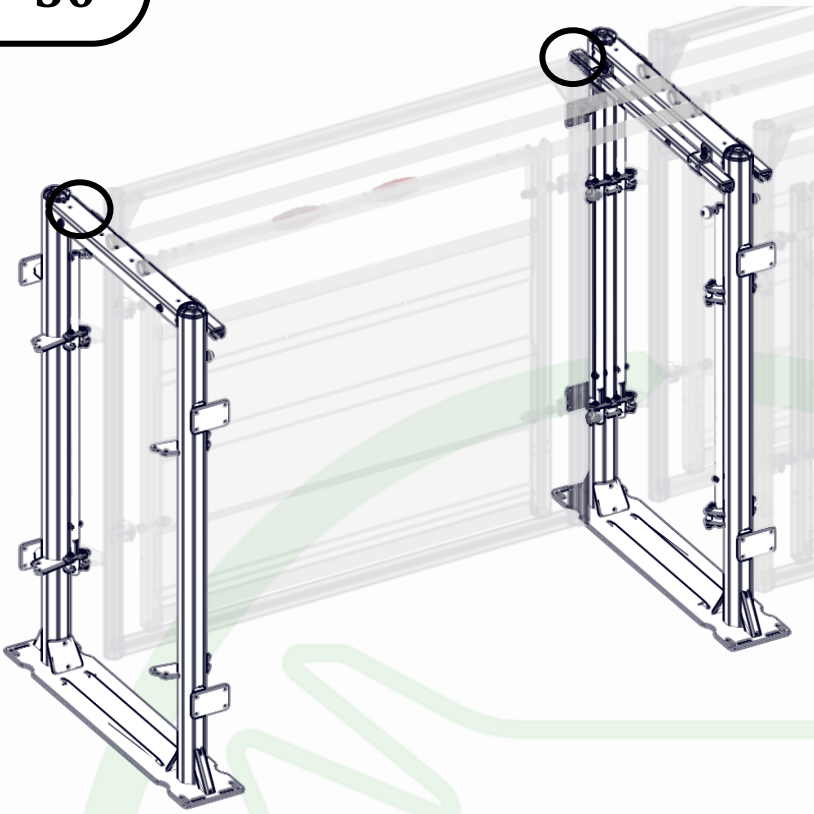
29



X 1

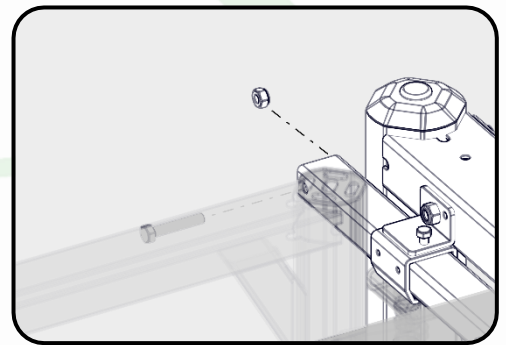


30

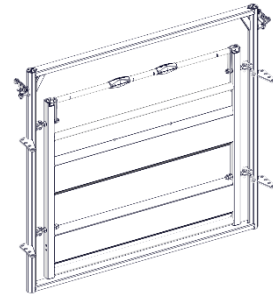
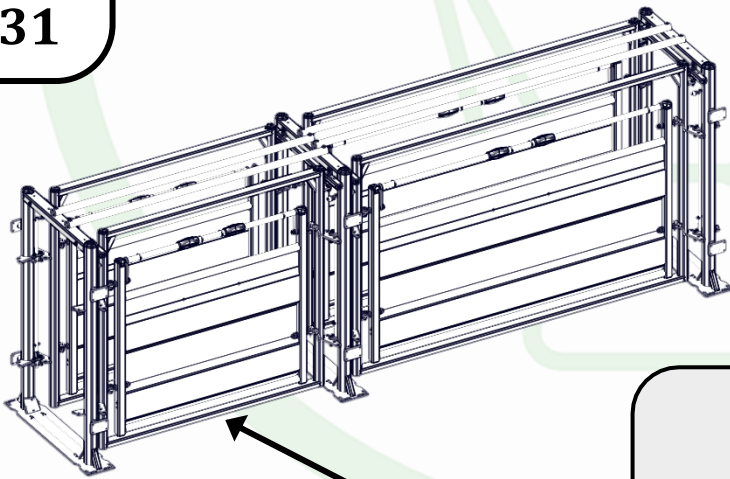


X 2

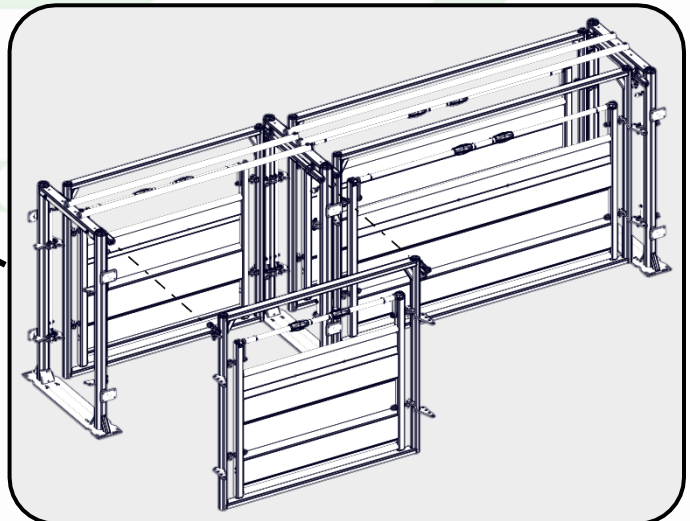
1 X SAC 594



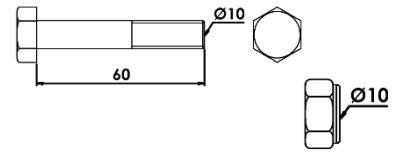
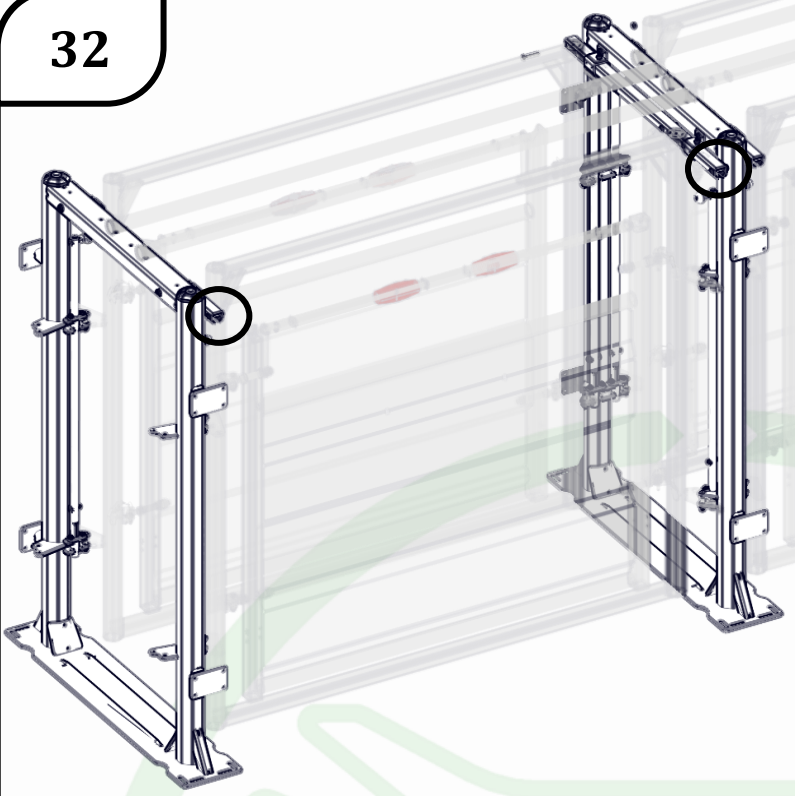
31



X 1

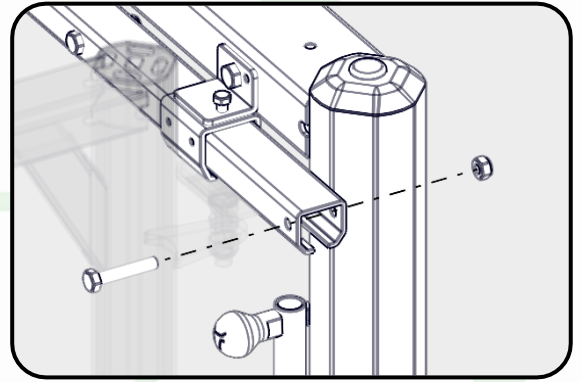


32

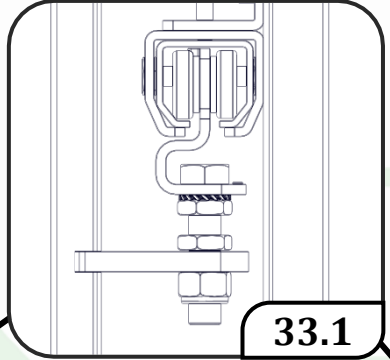


X 2

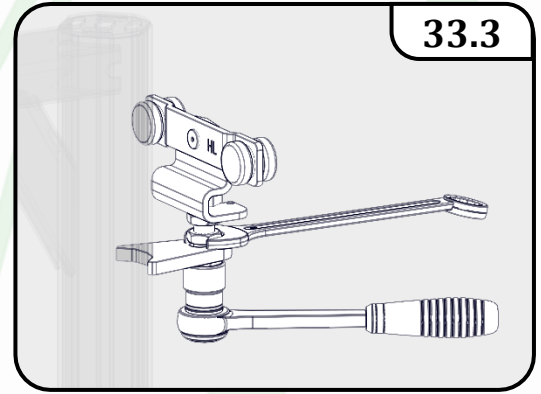
1 X SAC 594



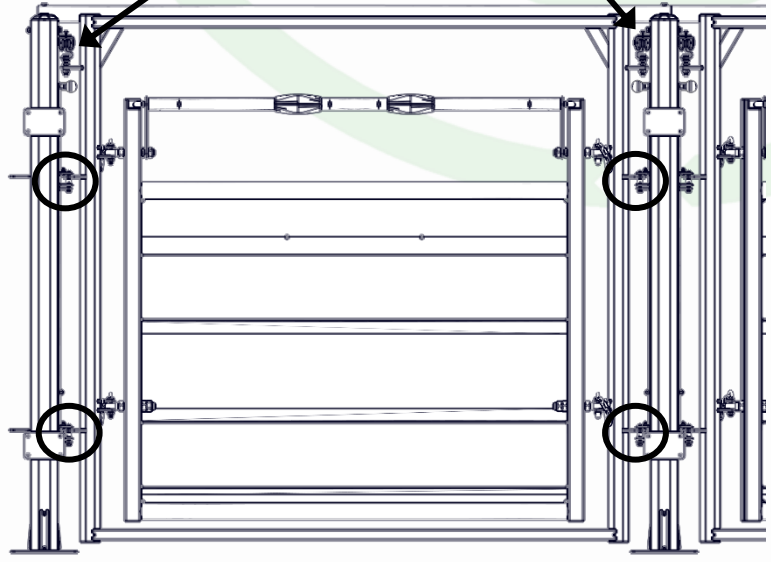
33



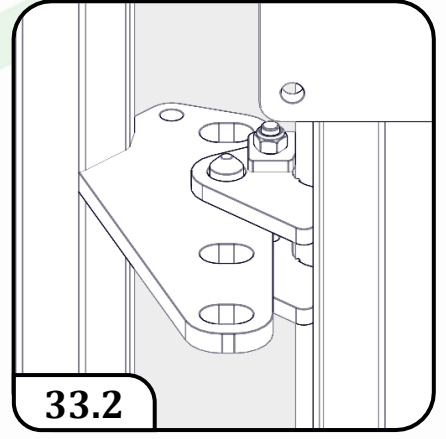
33.1



33.3

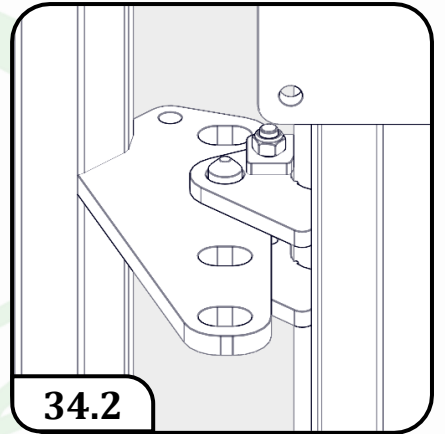
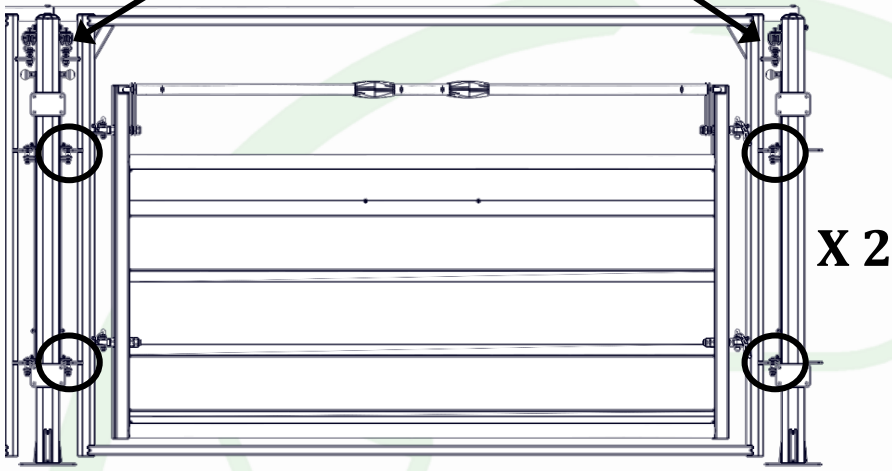
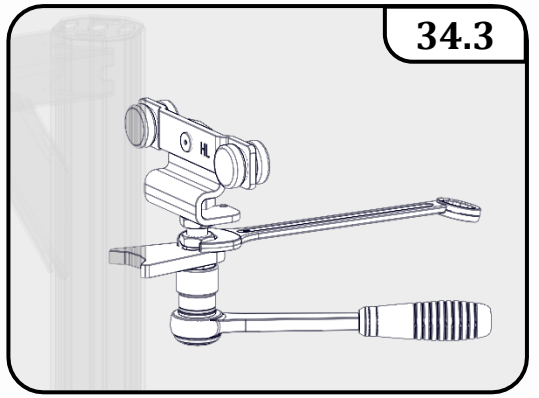
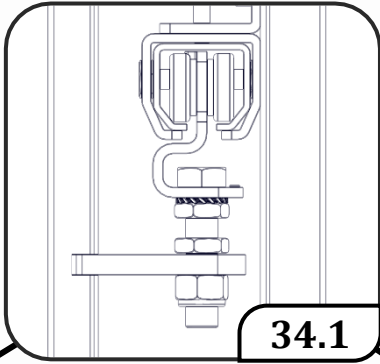


X 2

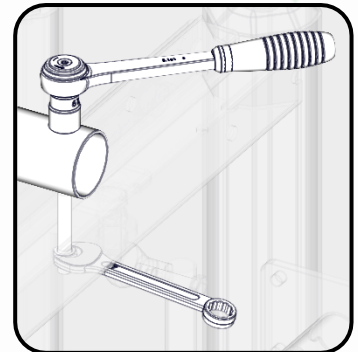
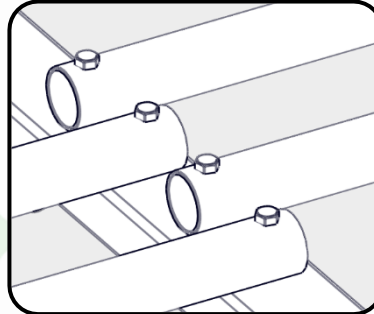
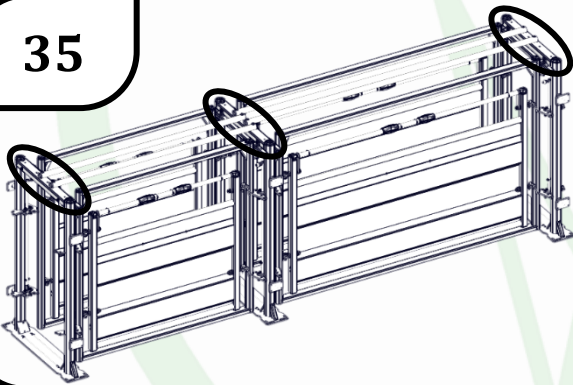


33.2

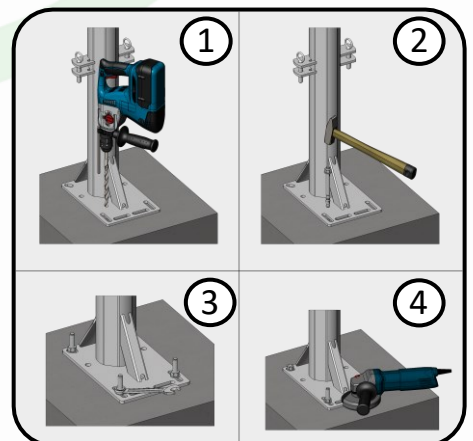
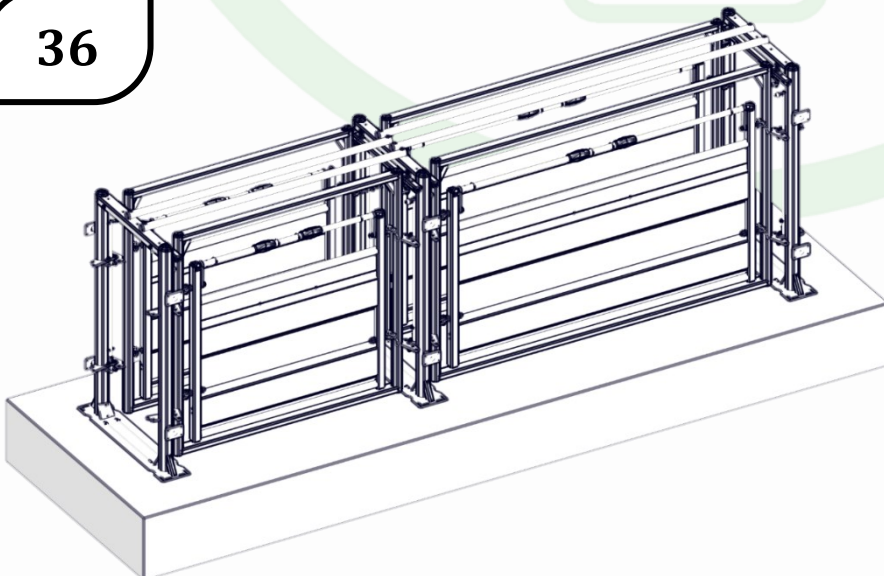
34



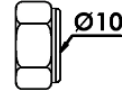
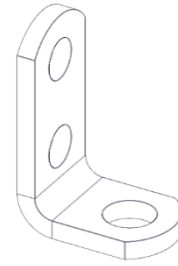
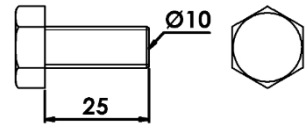
35



36

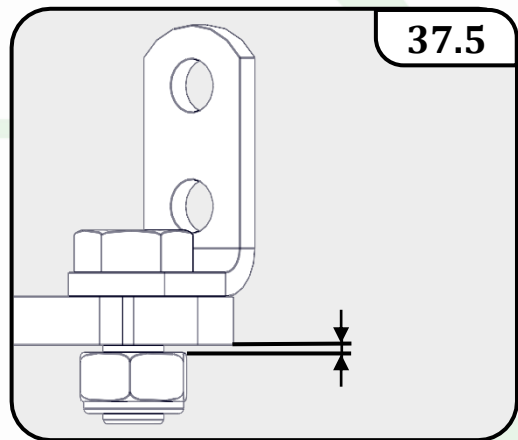
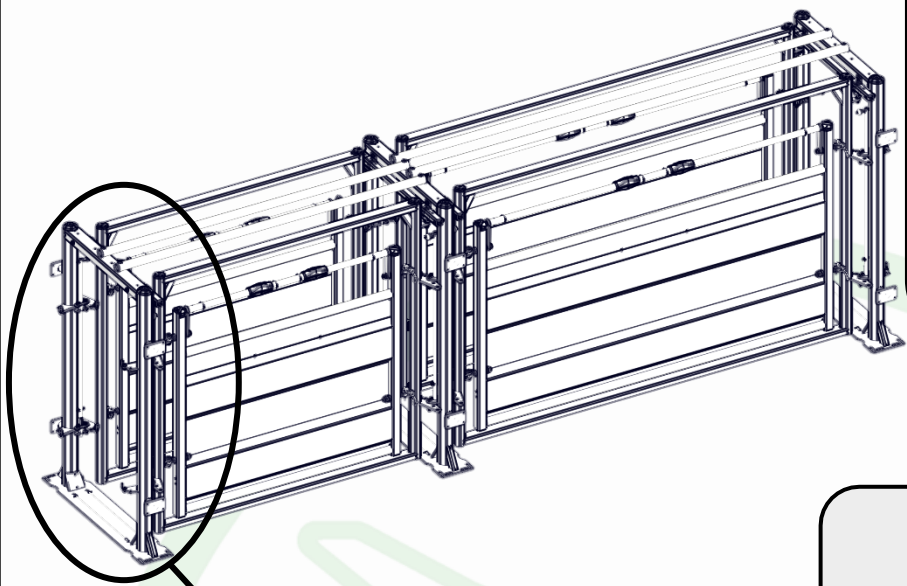


37

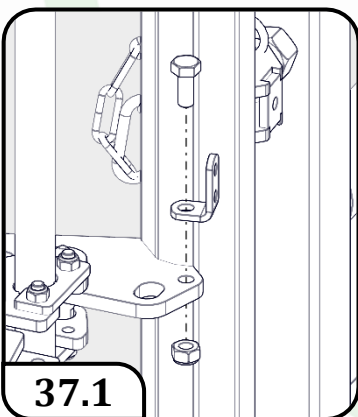


X 8

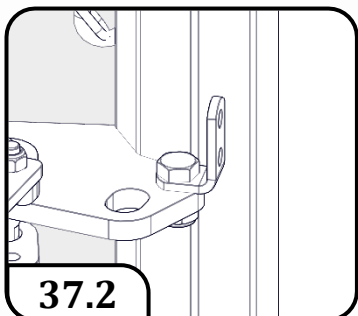
1 X SAC 592



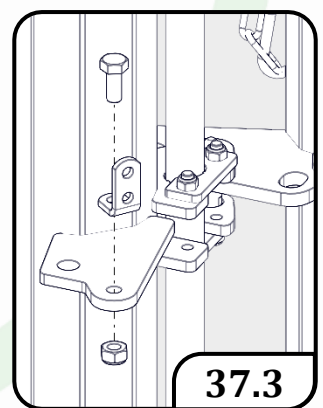
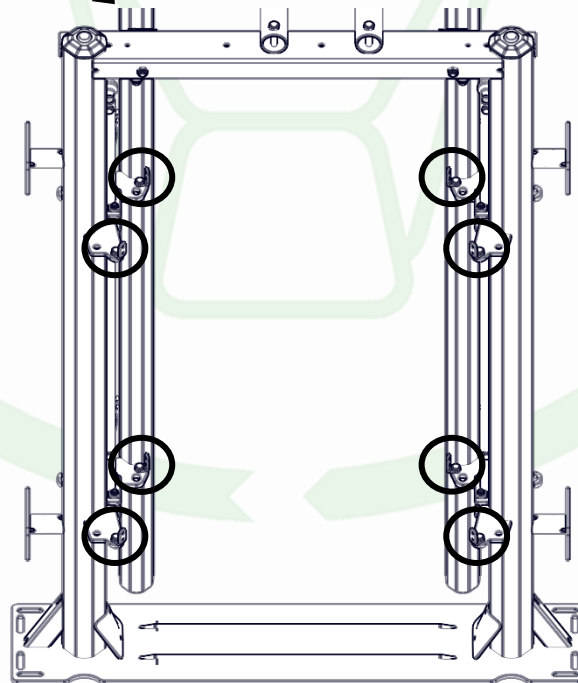
37.5



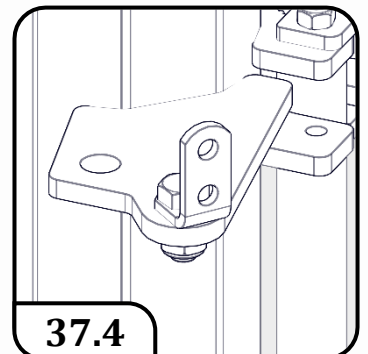
37.1



37.2

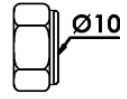
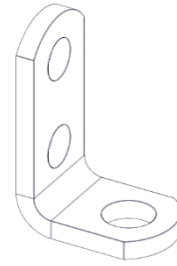
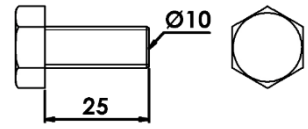
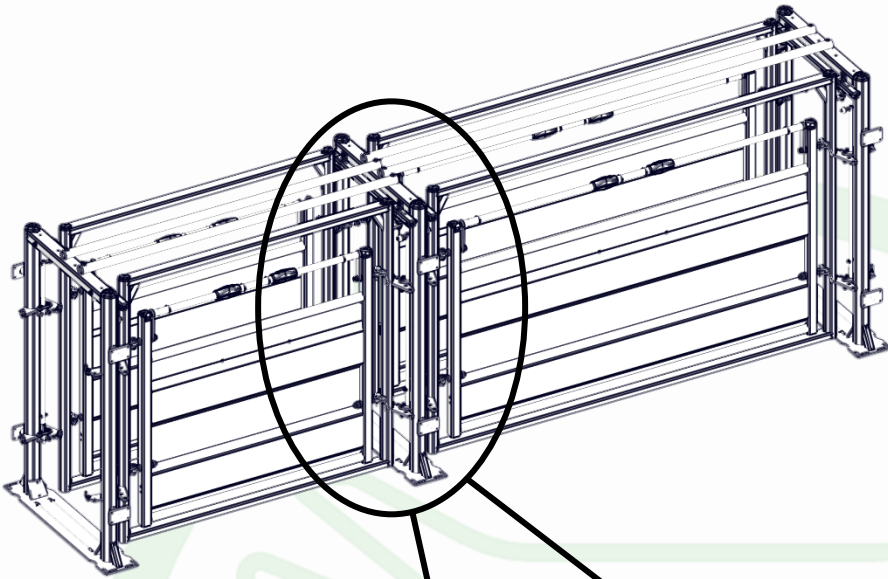


37.3



37.4

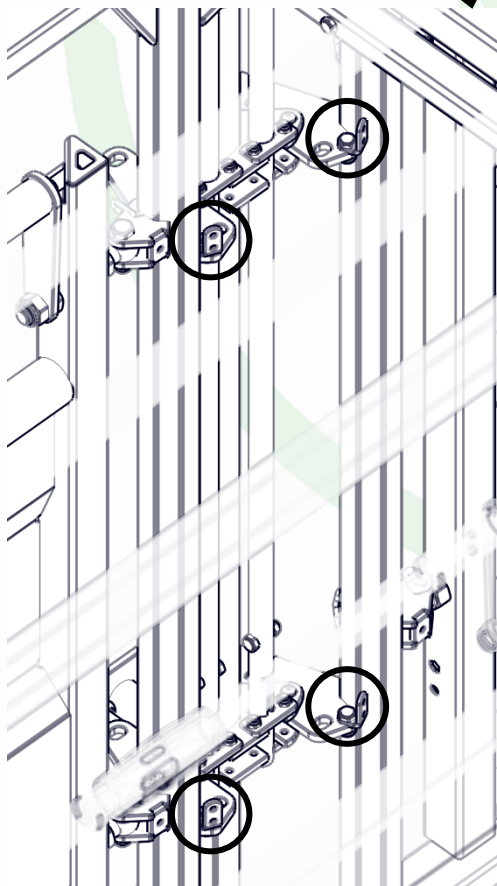
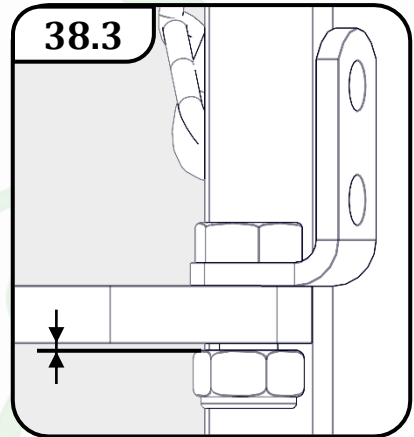
38



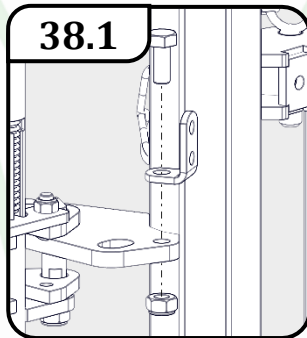
X 8

1 X SAC 594

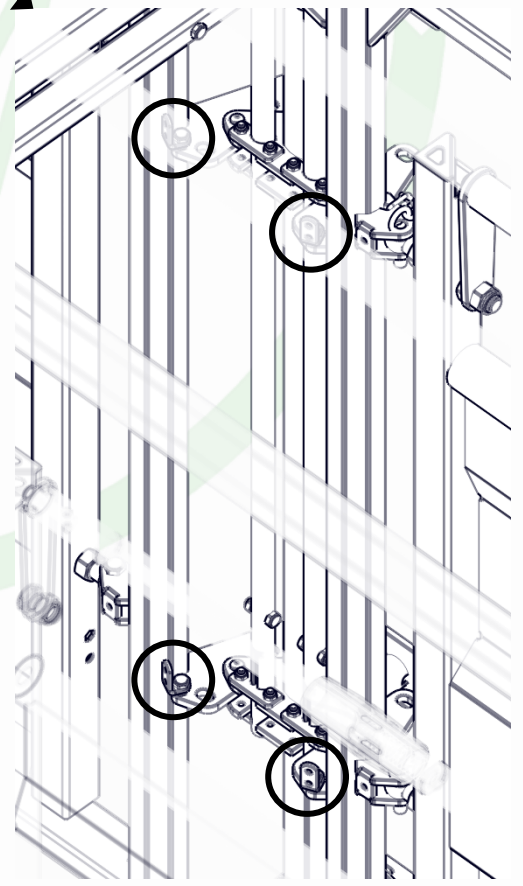
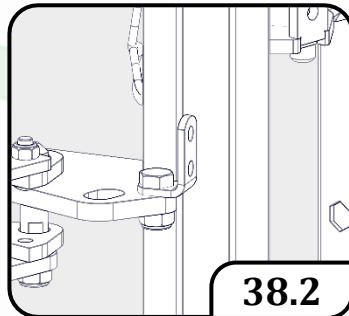
38.3



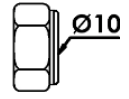
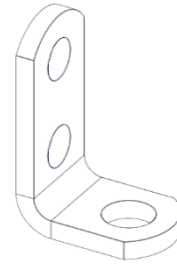
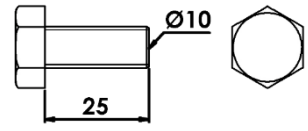
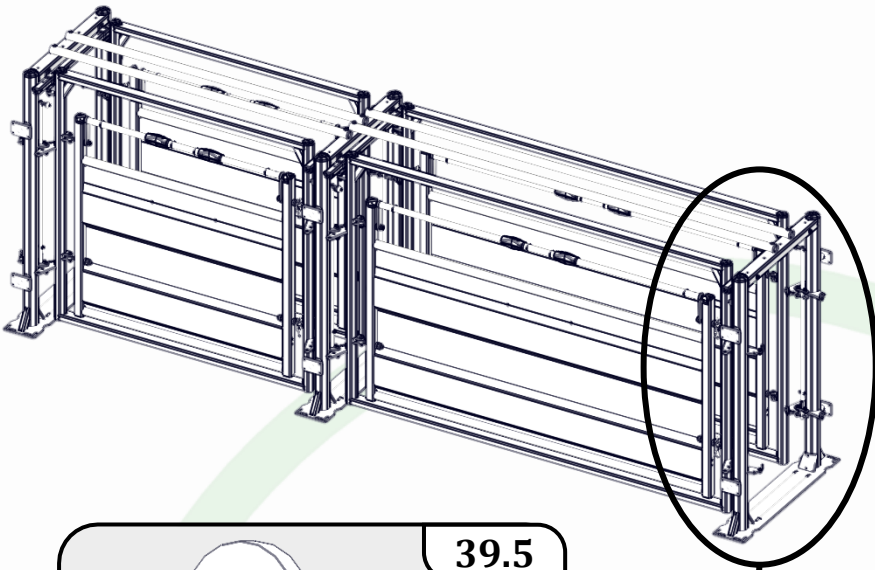
38.1



38.2

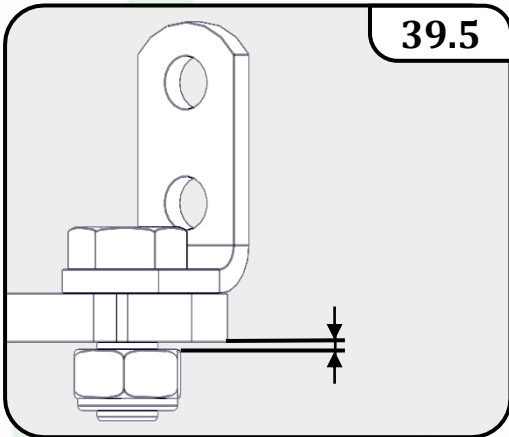


39

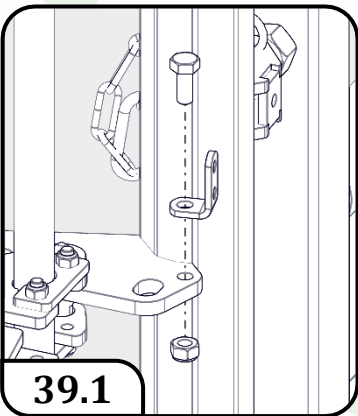


X 8

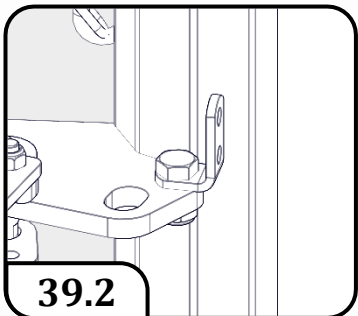
1 X SAC 592



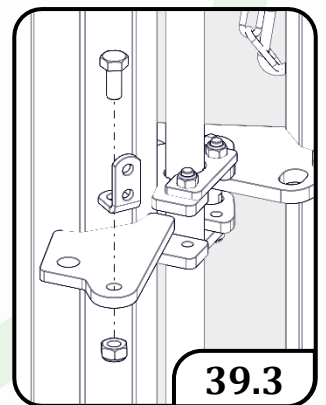
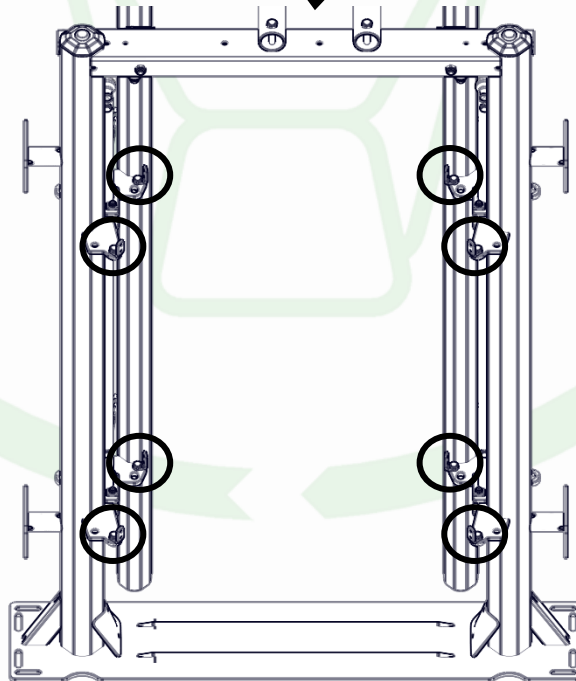
39.5



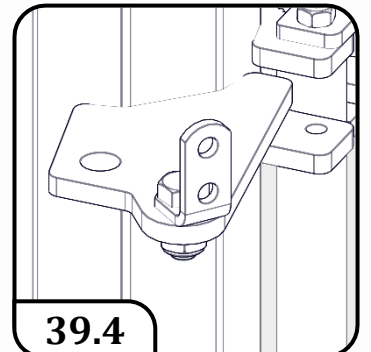
39.1



39.2

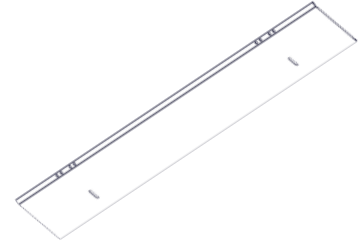
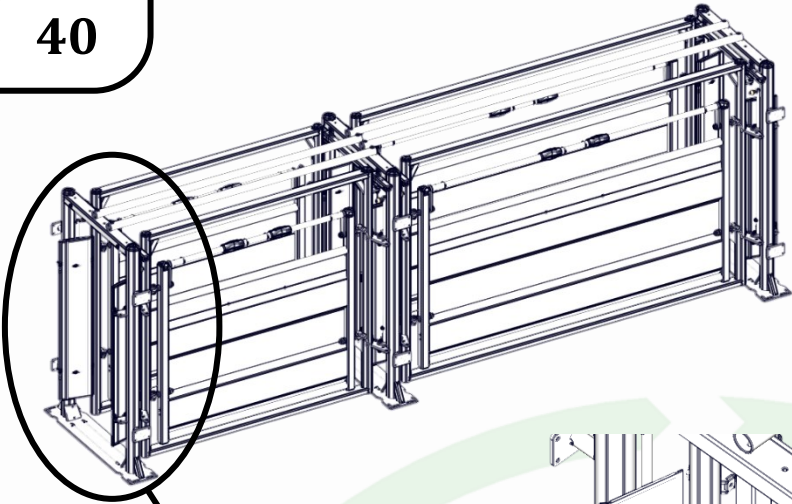


39.3

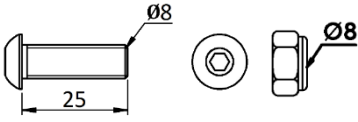


39.4

40

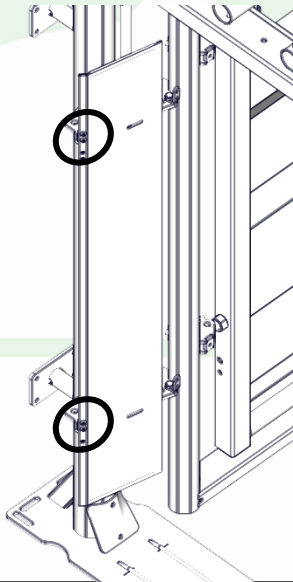
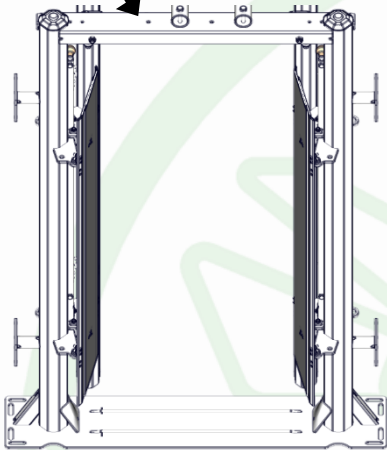


X 2

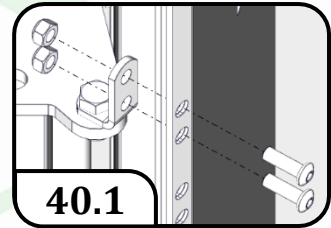


X 8

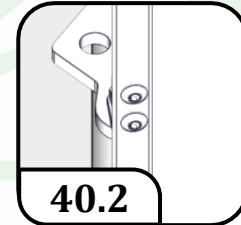
1 X SAC 592



X 2

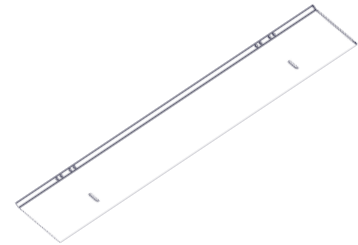
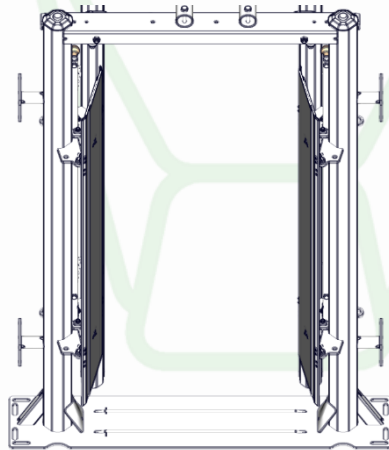


40.1

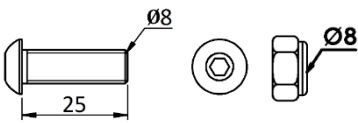


40.2

41

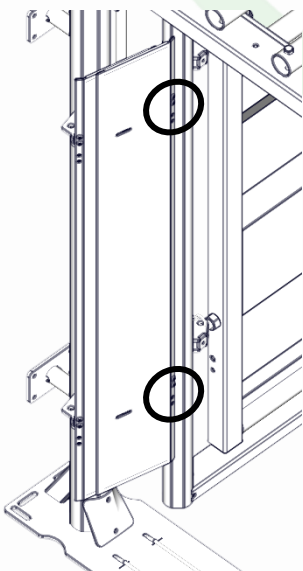


X 2

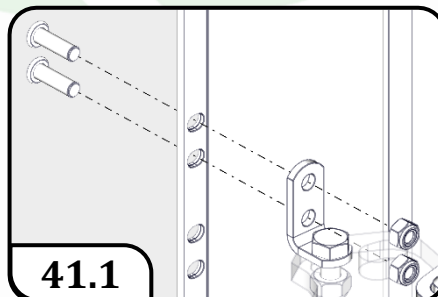


X 8

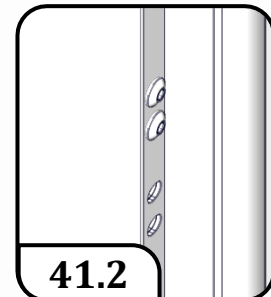
1 X SAC 592



X 2

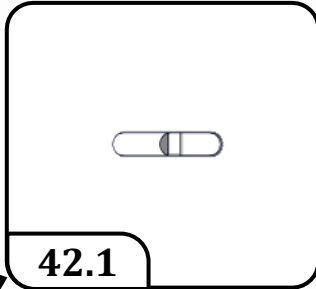
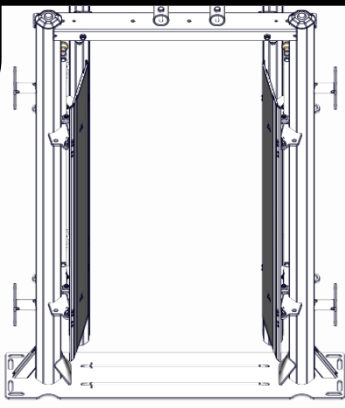


41.1

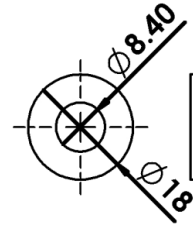


41.2

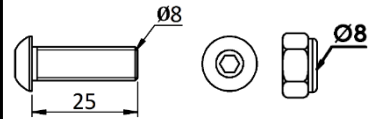
42



42.1

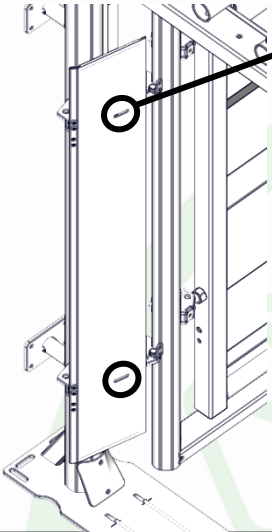


X 8

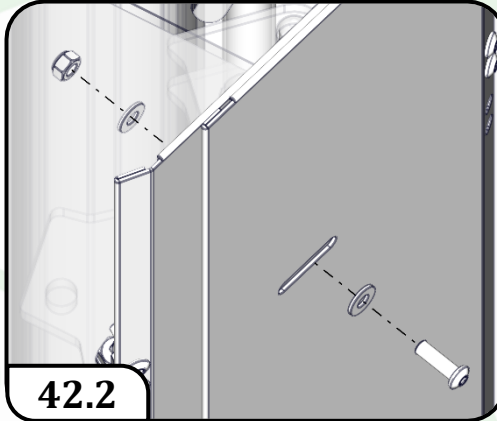


X 4

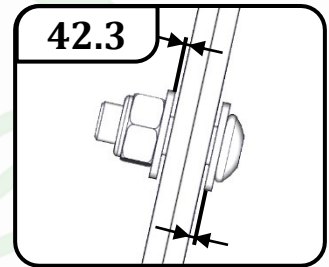
1 X SAC 592



X 2

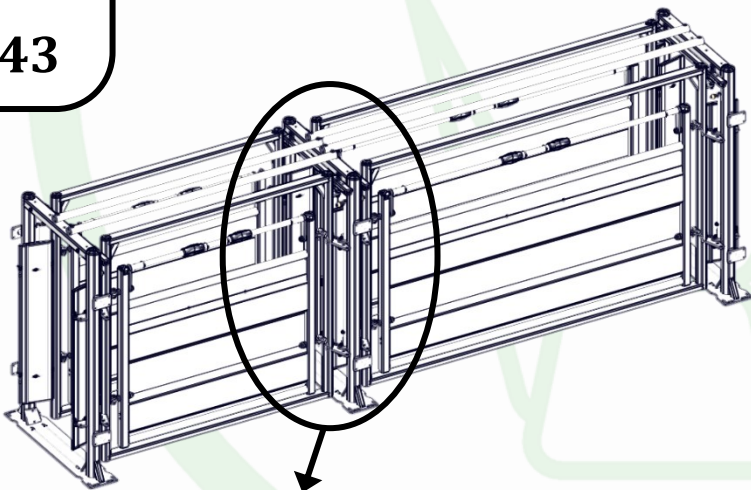


42.2

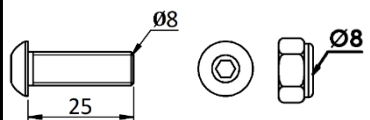
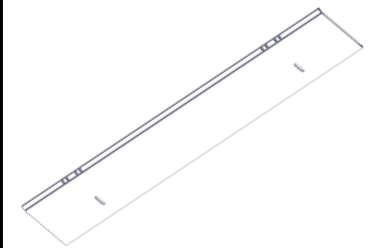


42.3

43



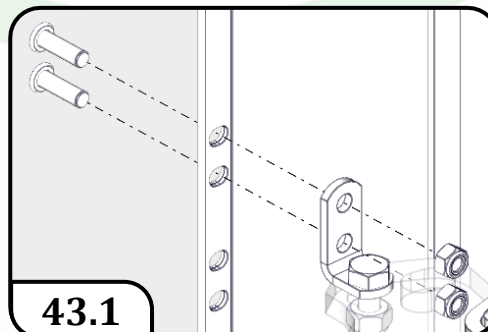
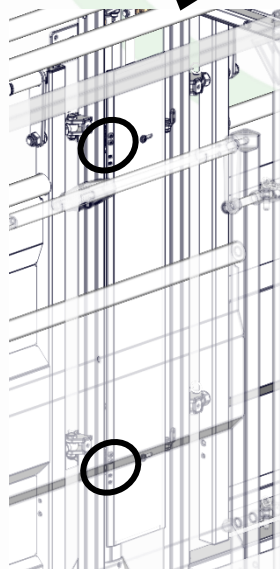
X 2



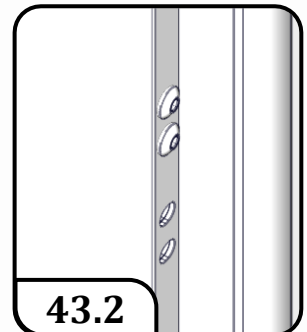
X 8

1 X SAC 594

X 2

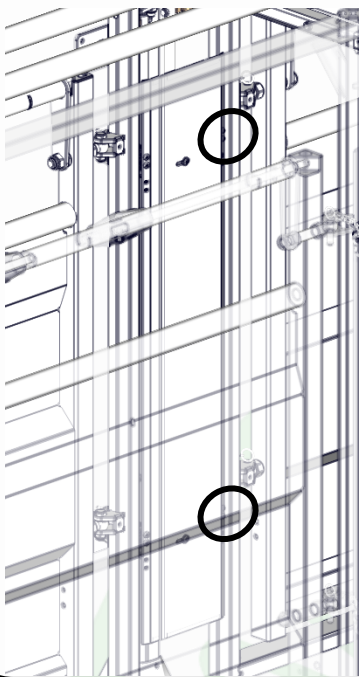


43.1

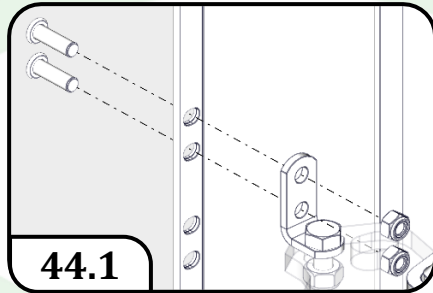


43.2

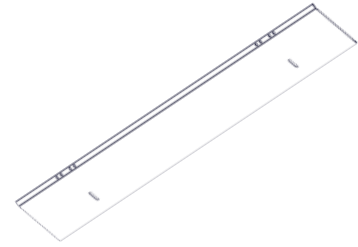
44



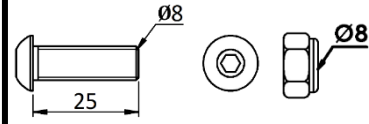
X 2



44.1

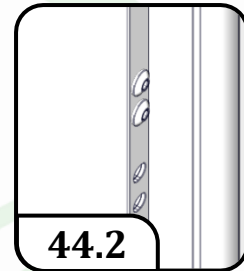


X 2



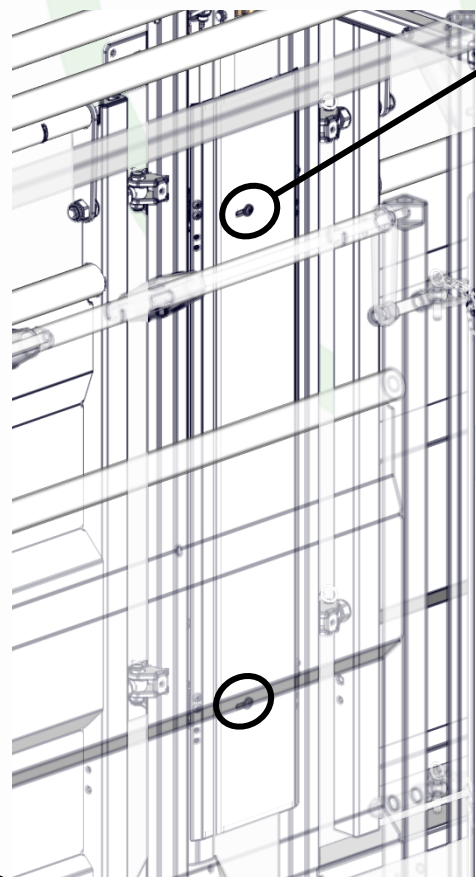
X 8

1 X SAC 594

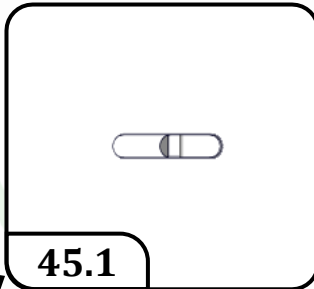


44.2

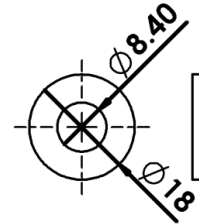
45



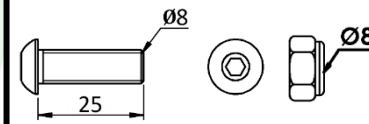
X 2



45.1

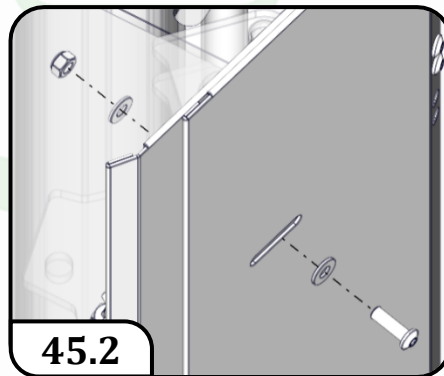


X 8

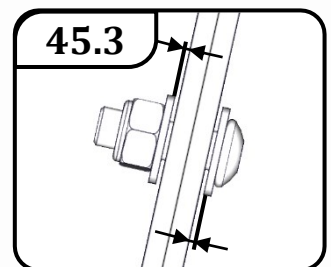


X 4

1 X SAC 592

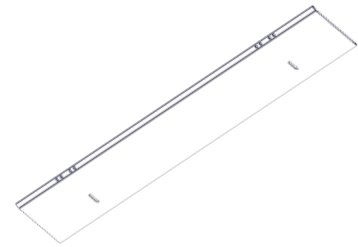
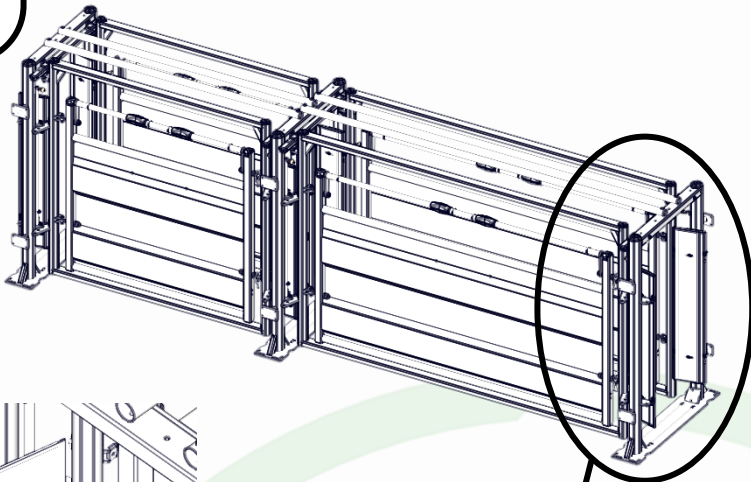


45.2

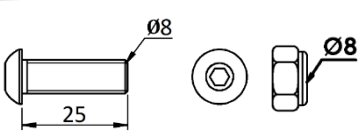


45.3

46

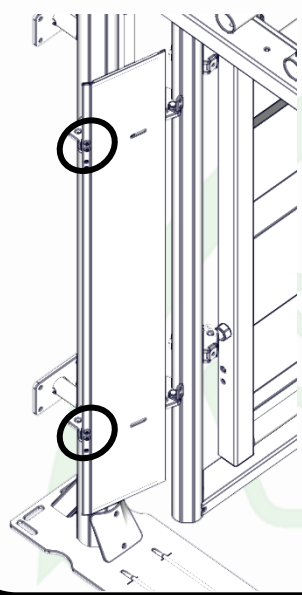


X 2

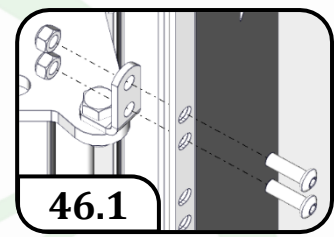
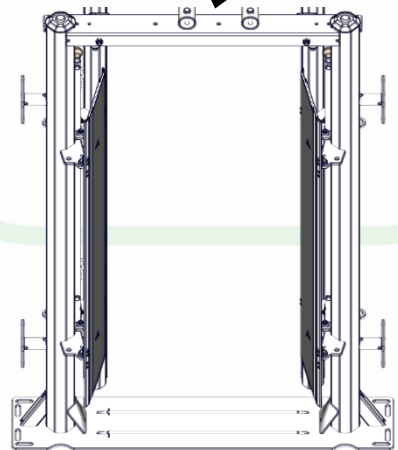


X 8

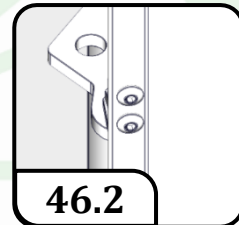
1 X SAC 592



X 2

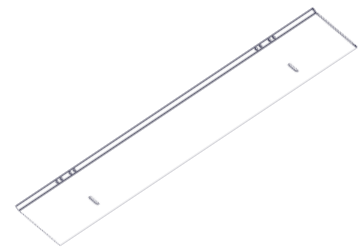
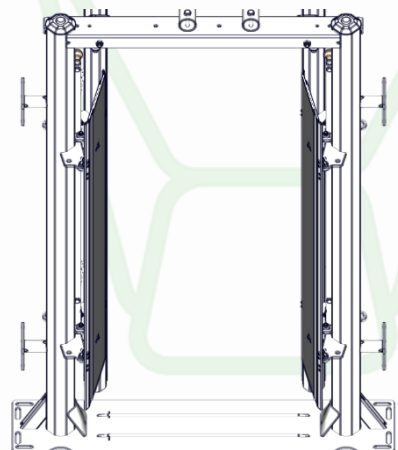


46.1

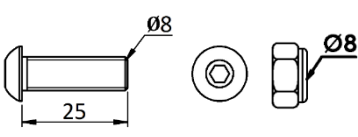


46.2

47

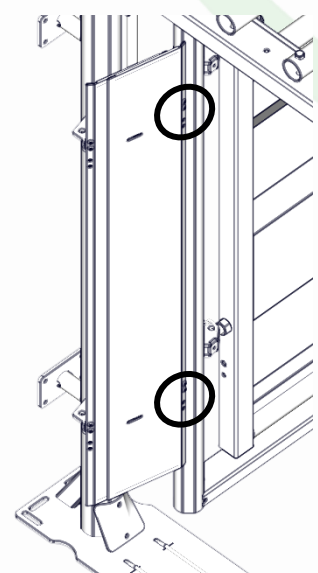


X 2

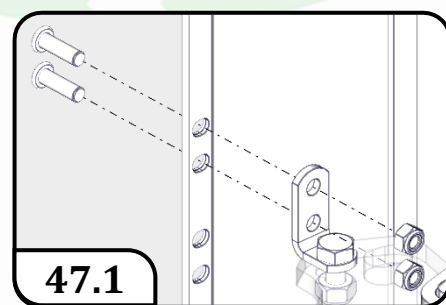


X 8

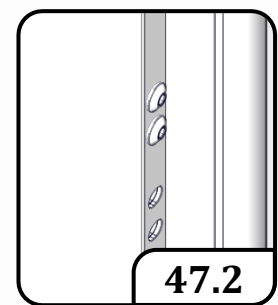
1 X SAC 592



X 2

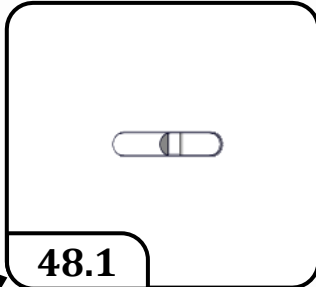
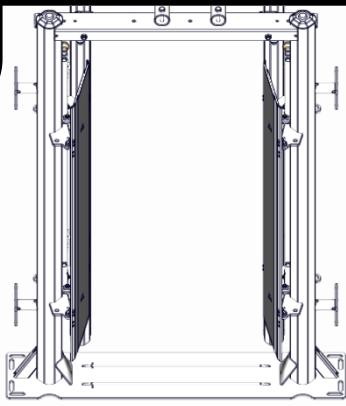


47.1

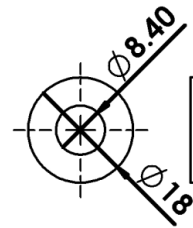


47.2

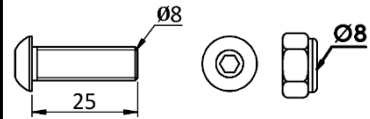
48



48.1

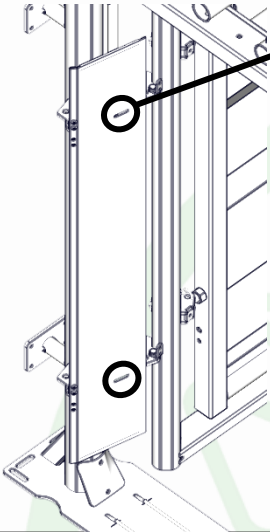


X 8

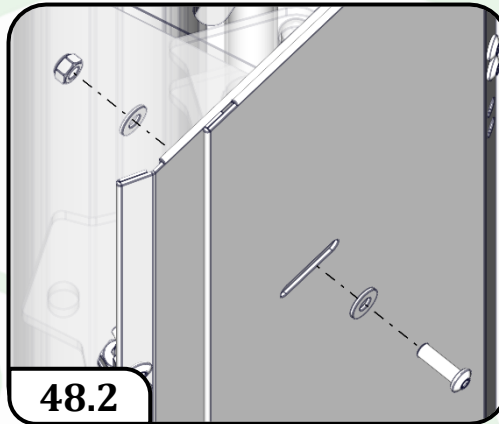


X 4

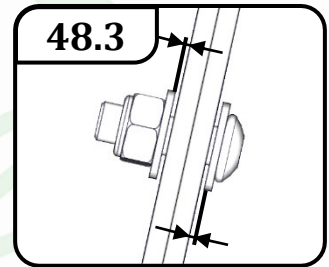
1 X SAC 592



X 2

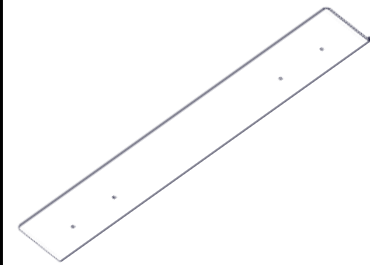
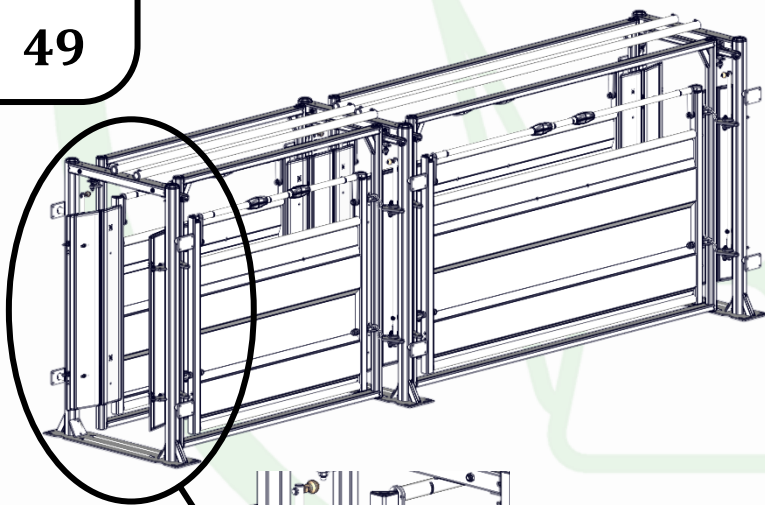


48.2

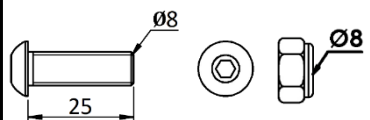


48.3

49

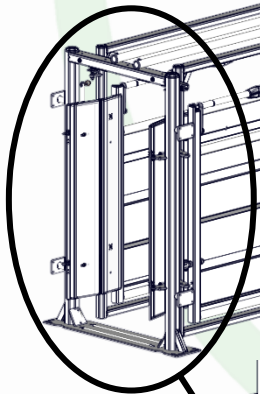


X 2

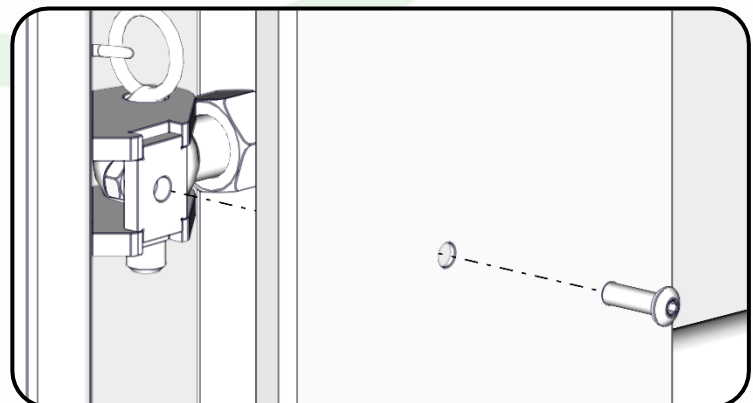
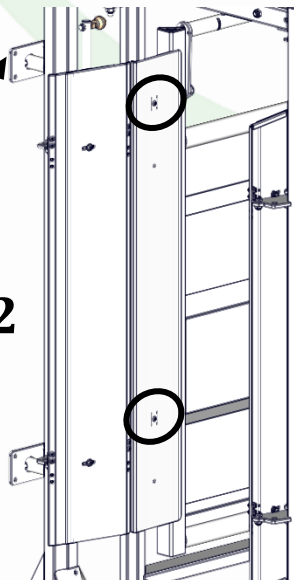


X 4

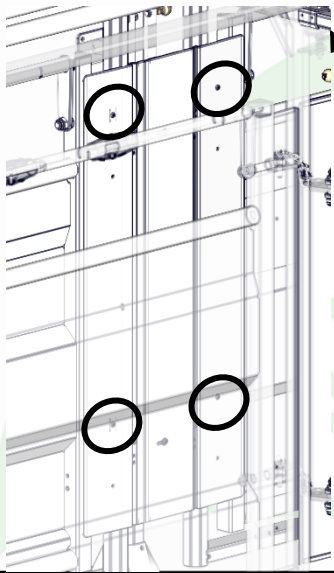
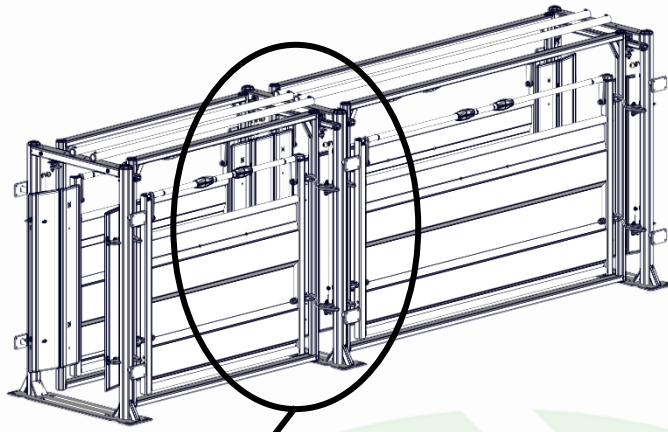
1 X SAC 590



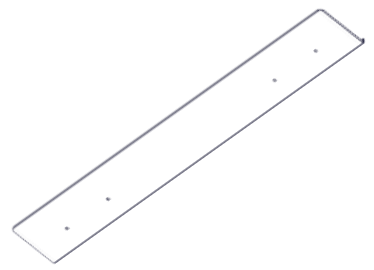
X 2



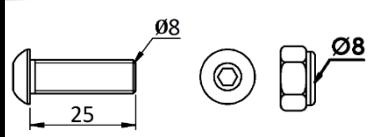
50



X 2

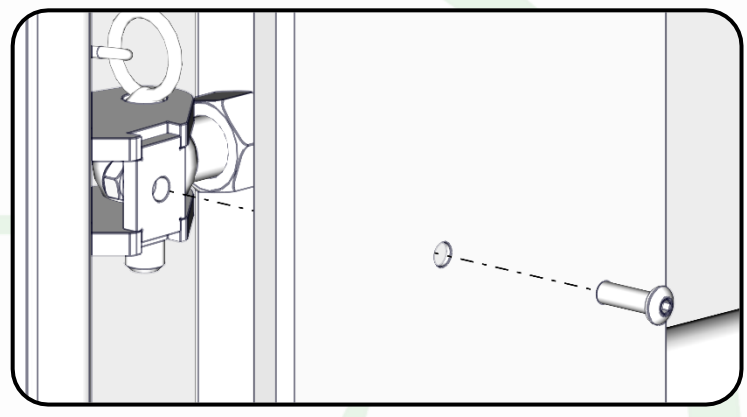


X 4

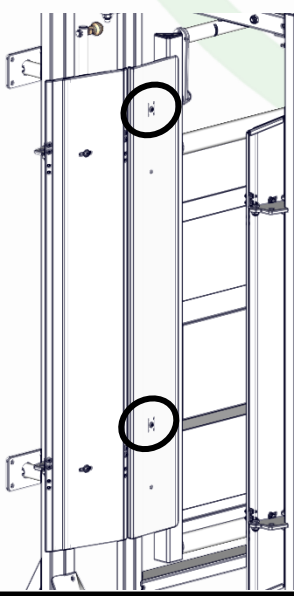
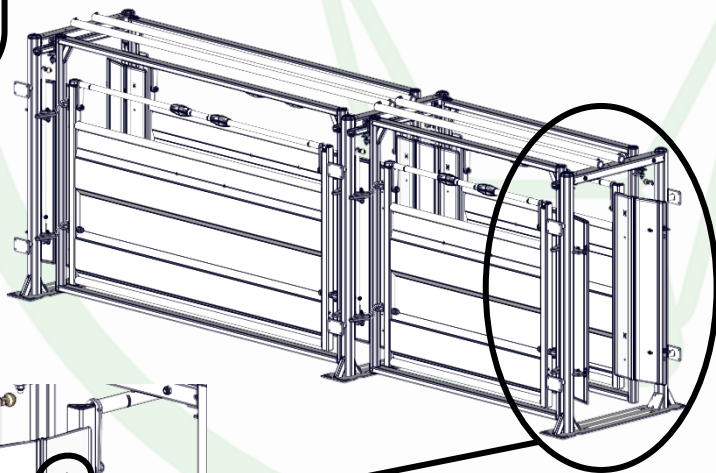


X 8

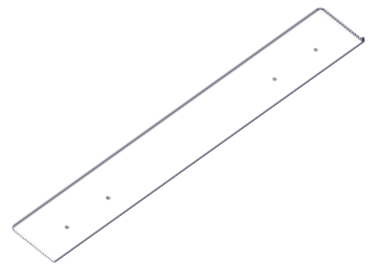
2 X SAC 590



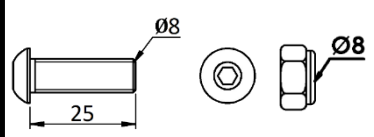
51



X 2

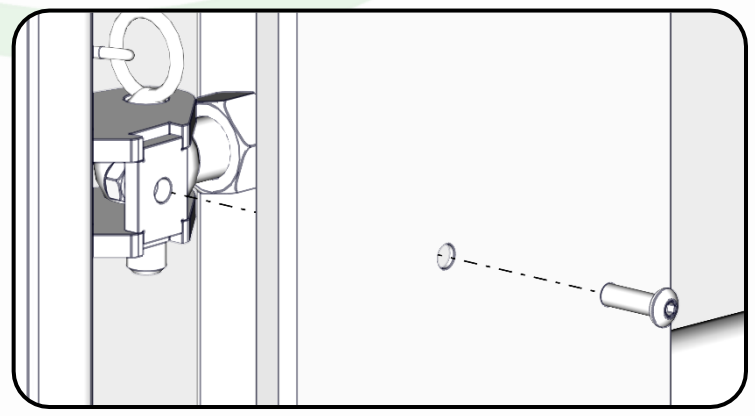


X 2

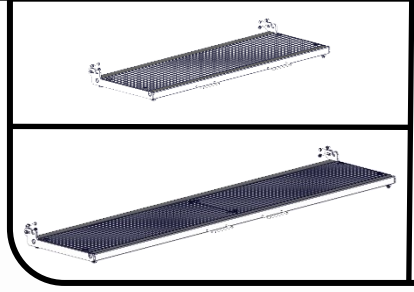
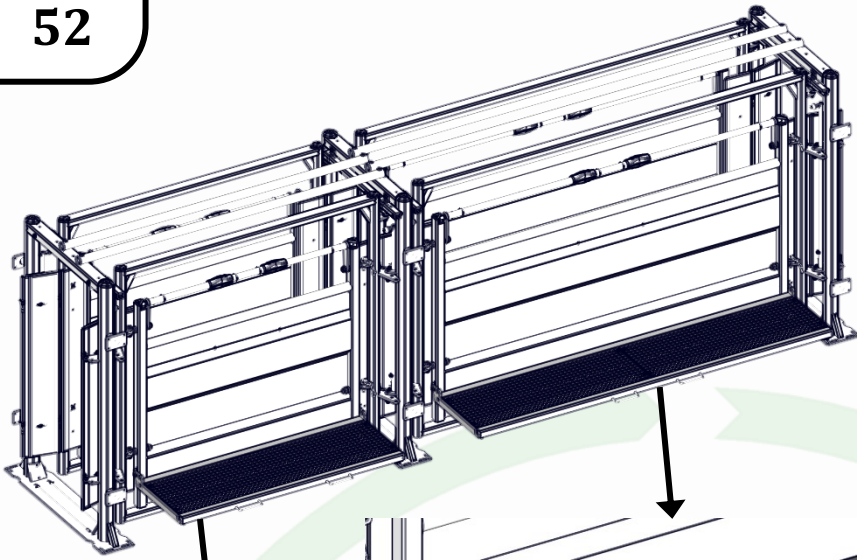


X 4

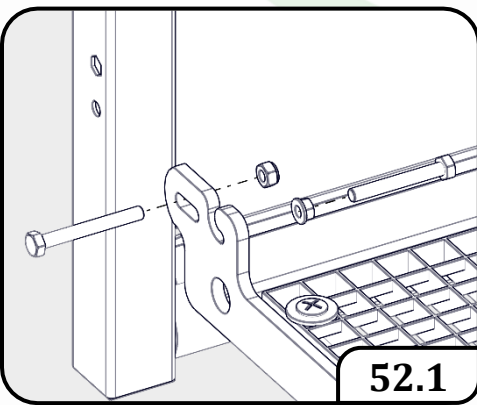
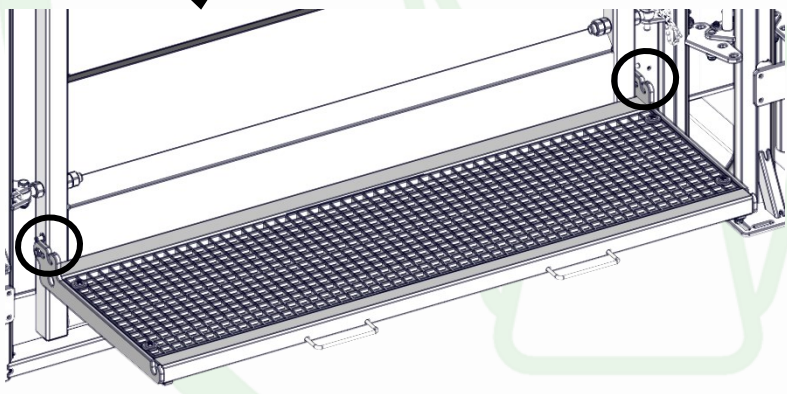
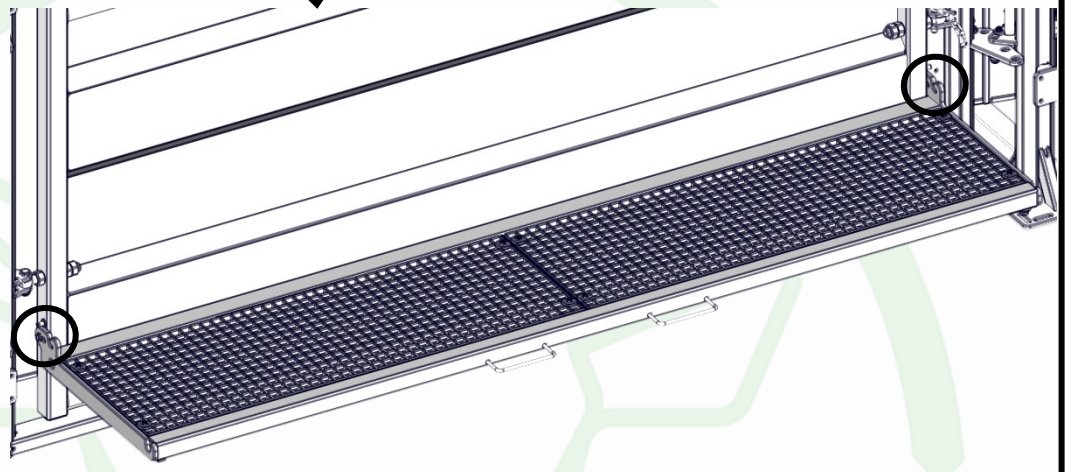
1 X SAC 590



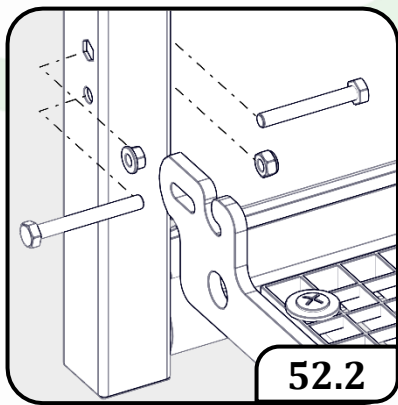
52



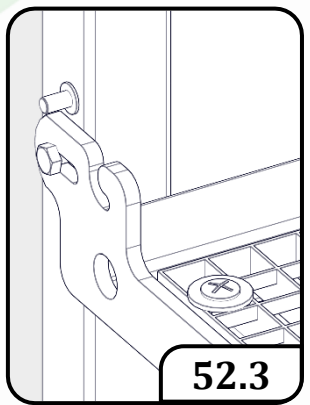
X 1



52.1



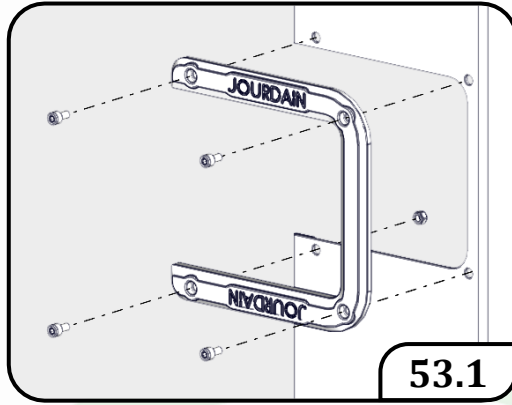
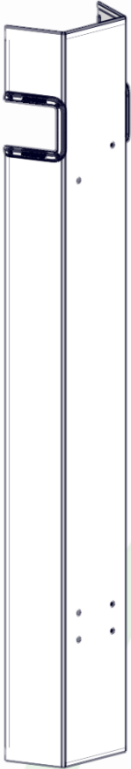
52.2



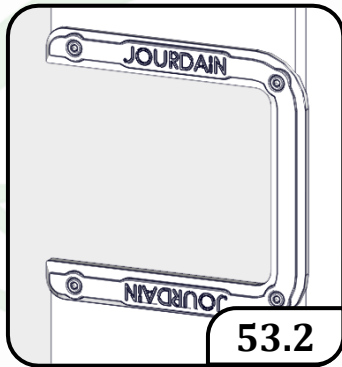
52.3

53

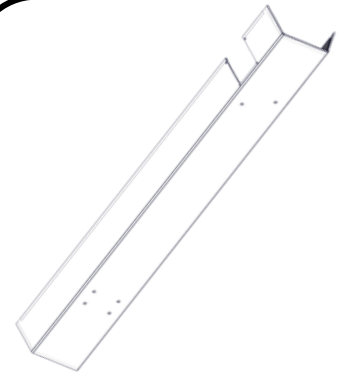
X 6



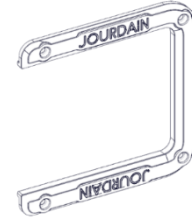
53.1



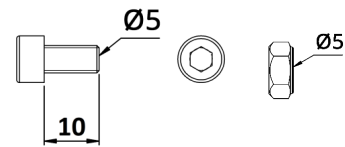
53.2



X 6



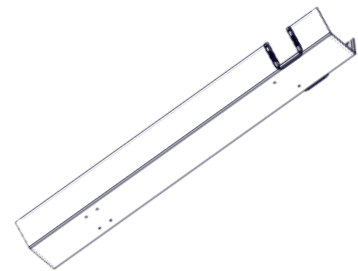
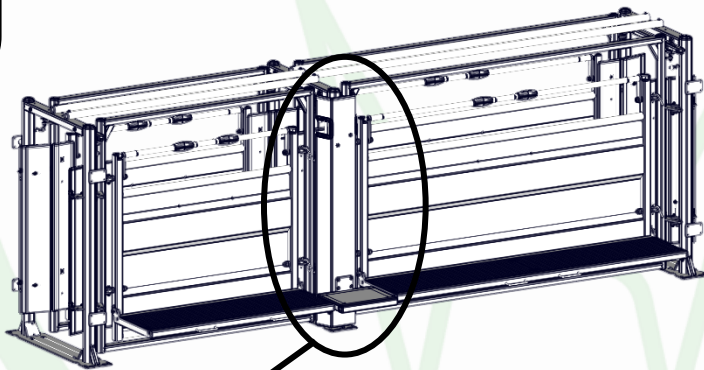
X 12



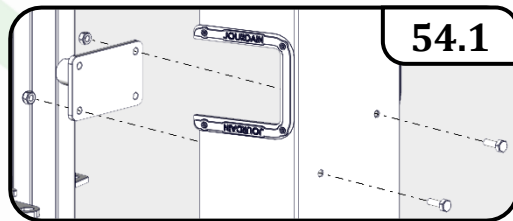
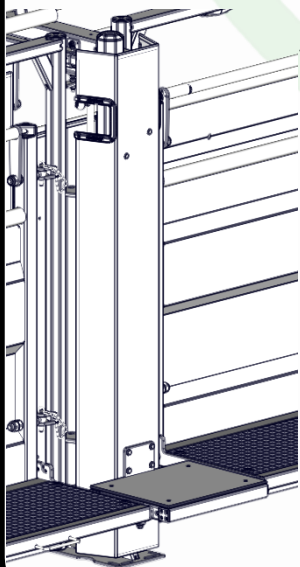
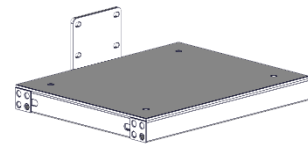
X 48

2 X SAC 592 +
1 X SAC 594

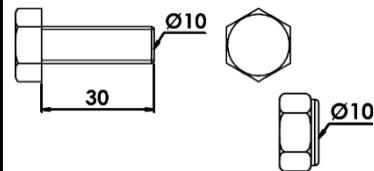
54



X 1

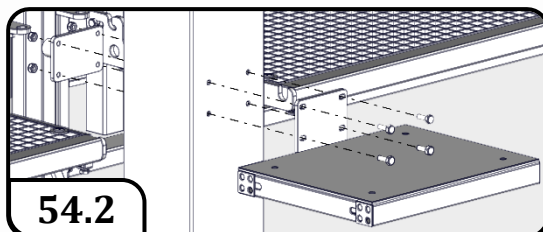


54.1

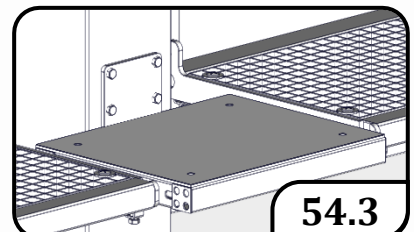


X 6

1 X SAC 594

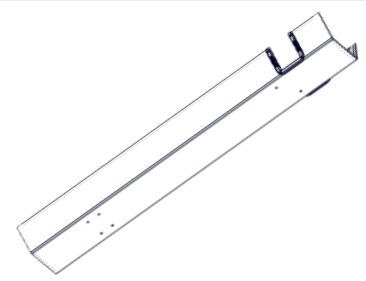
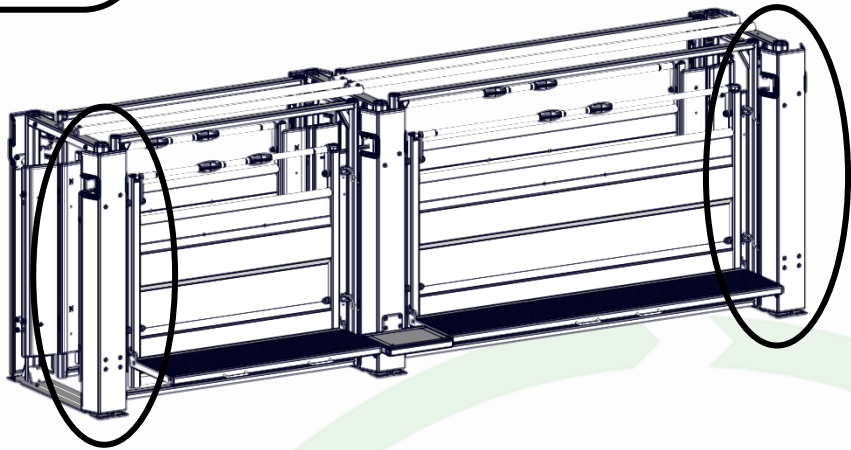


54.2

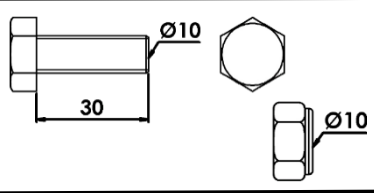


54.3

55

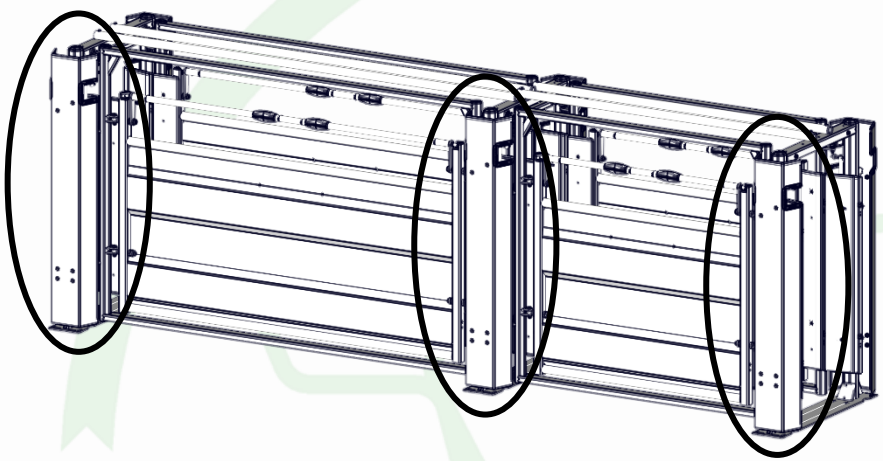


X 5

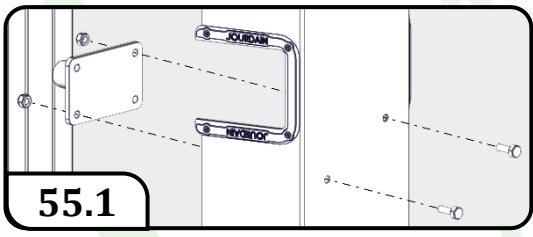


X 6

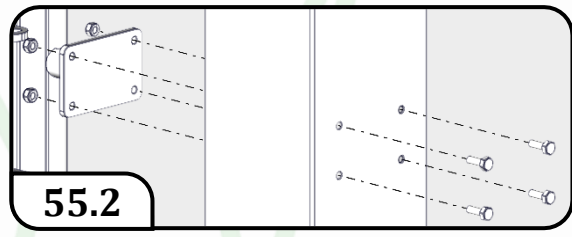
2 X SAC 592 +
1 X SAC 594



X 5



55.1



55.2

