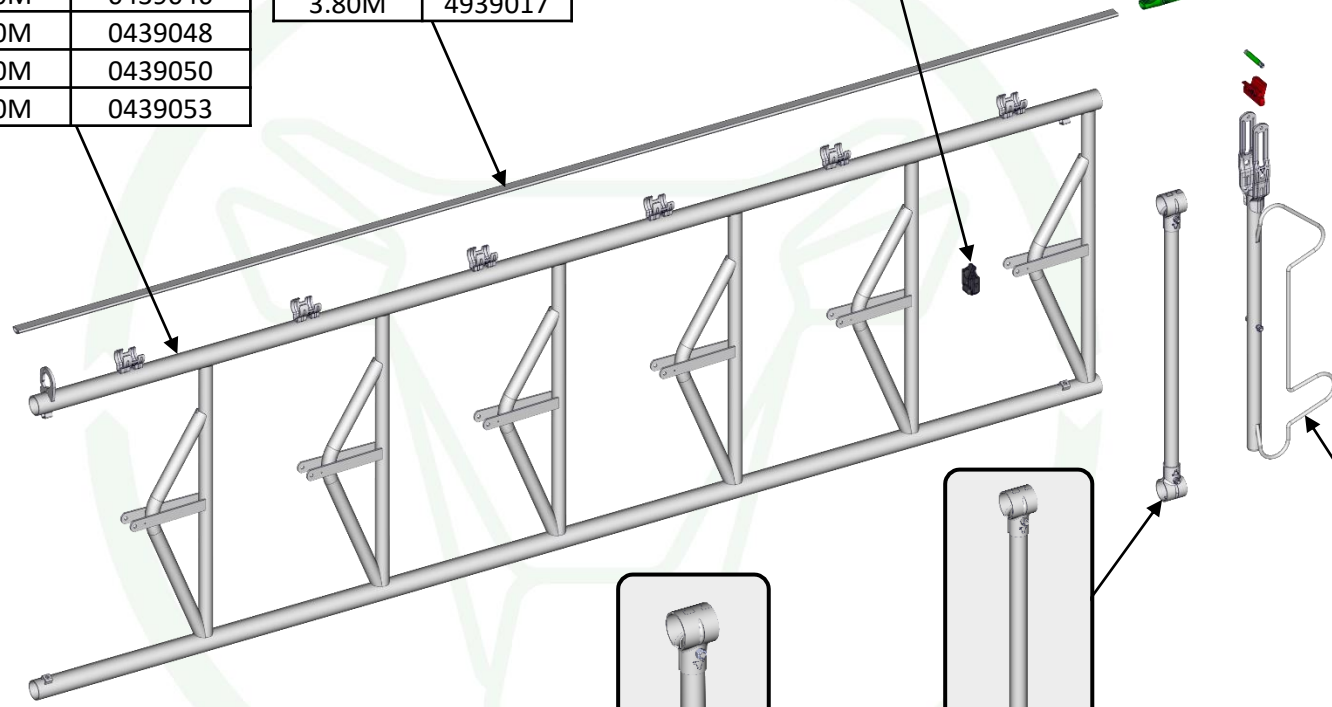
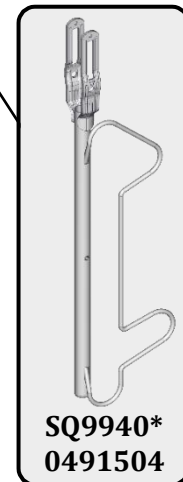
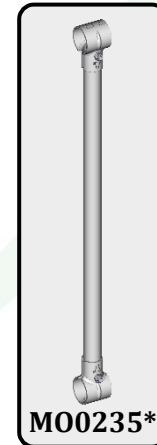
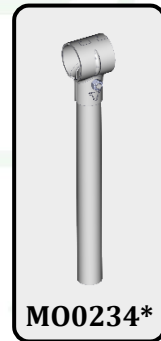
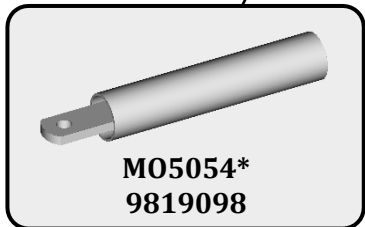
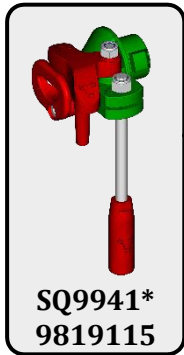
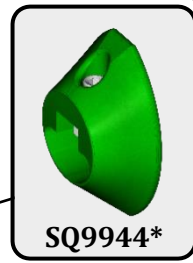
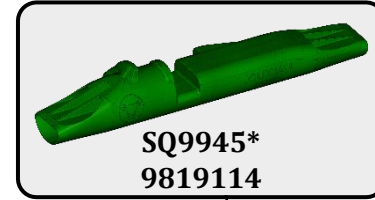


4/2.60M	0439046
5/3.20M	0439048
5/3.80M	0439050
6/3.80M	0439053

2.60M	4939015
3.20M	4939016
3.80M	4939017

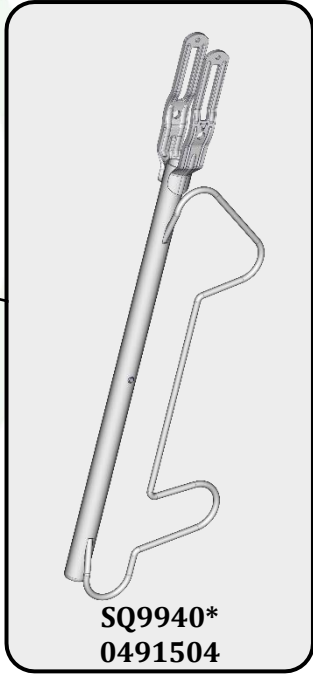
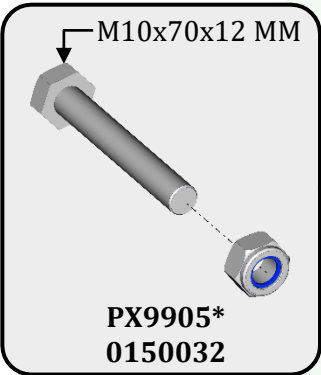
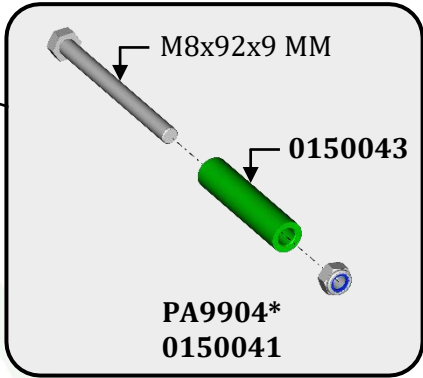


HEADLOCK SAFETY IV EXPORT ADJUSTABLE 1

THIS DOCUMENT IS THE EXCLUSIVE PROPERTY OF JOURDAIN SAS, IT IS PROVIDED ON A CONFIDENTIAL BASIS. IT MUST NEITHER BE COPIED, NOR DISCLOSED TO A THIRD PARTY WITHOUT OUR WRITTEN AUTHORISATION

FTB

27/07/2021



SAFETY IV SWING ARM

THIS DOCUMENT IS THE EXCLUSIVE PROPERTY OF JOURDAIN SAS, IT IS PROVIDED ON A CONFIDENTIAL BASIS.
IT MUST NEITHER BE COPIED, NOR DISCLOSED TO A THIRD PARTY WITHOUT OUR WRITTEN AUTHORISATION

FTB

01/07/2021