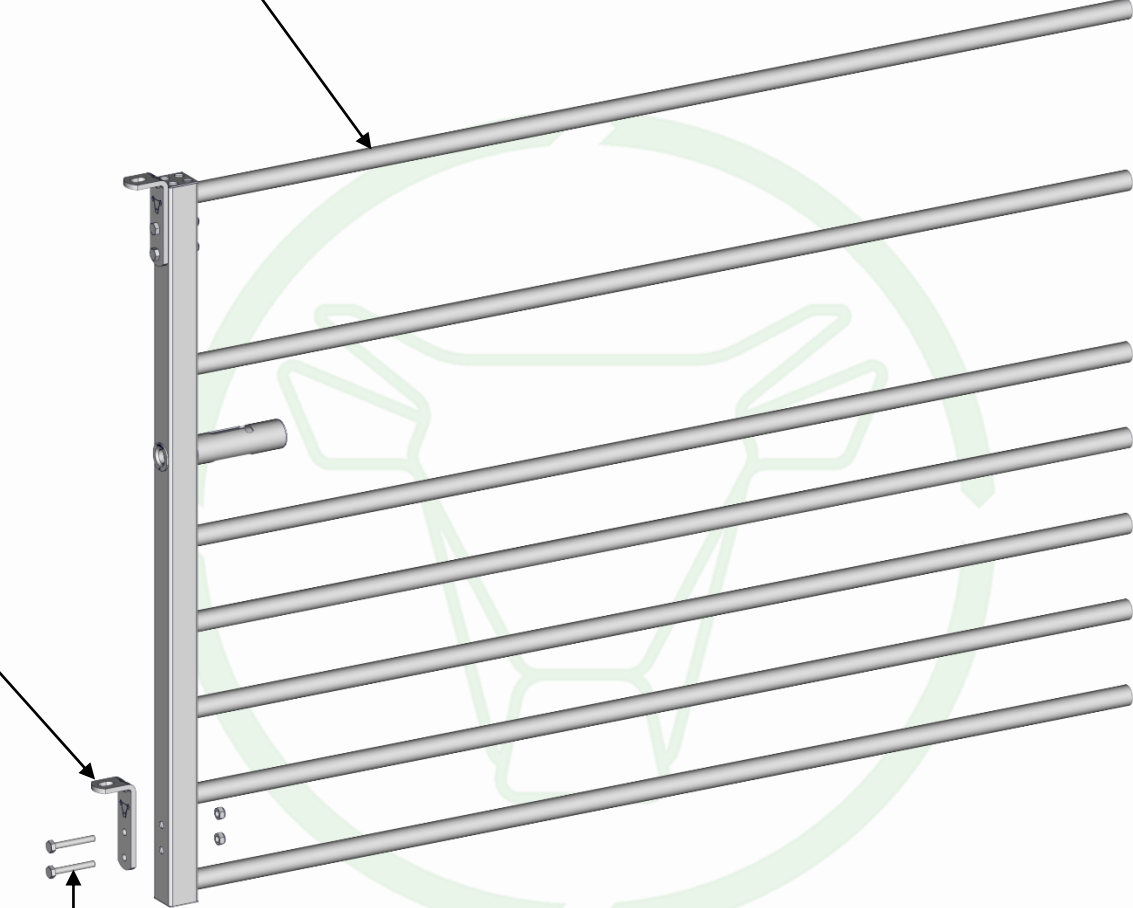
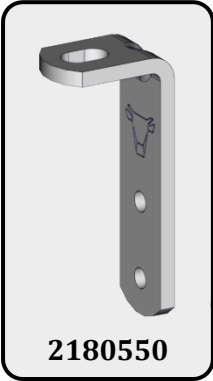


L.1.65M      4710161



M10x70 MM

**SAC 552\***



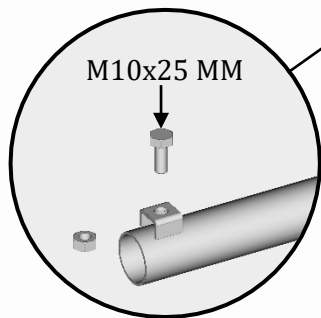
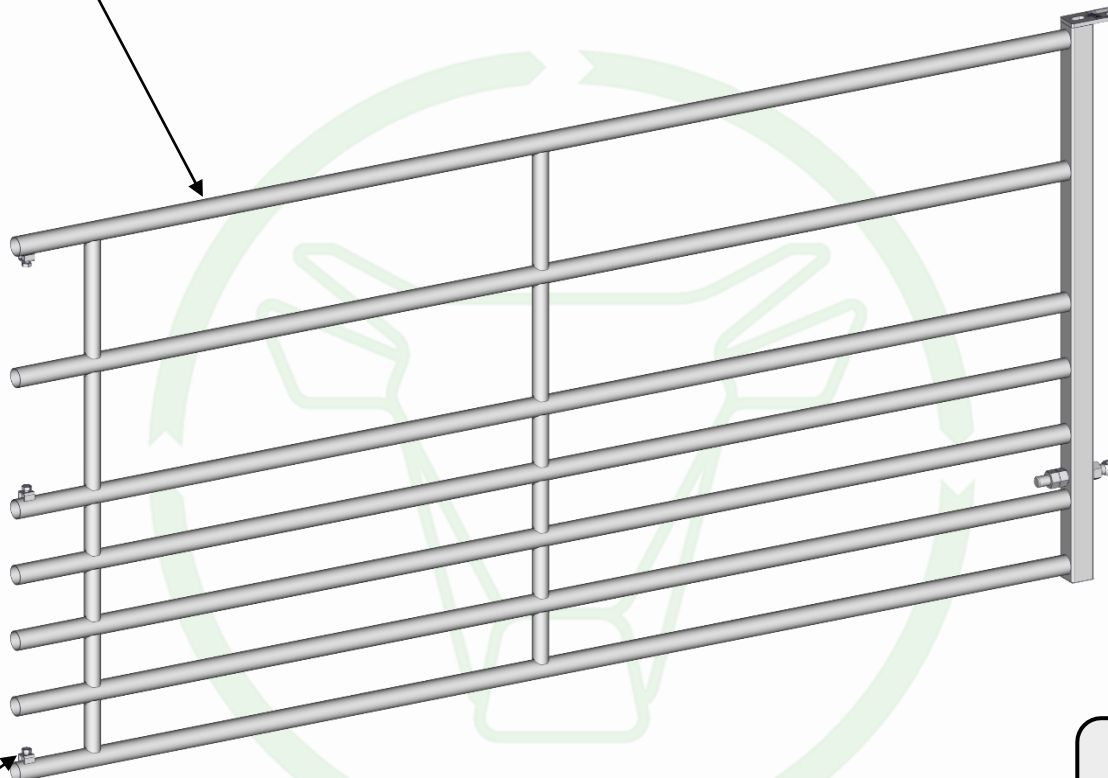
**FRONT PANEL EX5**

THIS DOCUMENT IS THE EXCLUSIVE PROPERTY OF JOURDAIN SAS, IT IS PROVIDED ON A CONFIDENTIAL BASIS.  
IT MUST NEITHER BE COPIED, NOR DISCLOSED TO A THIRD PARTY WITHOUT OUR WRITTEN AUTHORISATION

**FTB**

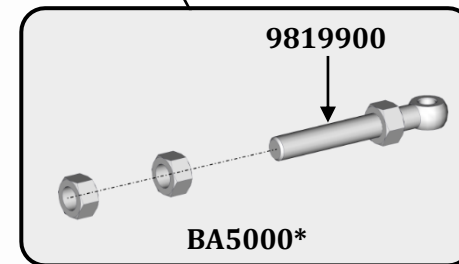
**10/05/2023**

L.1.50M	4710164
L.2.50M	4710165
L.3.50M	4710166
L.4.50M	4710167



M10x25 MM

**SAC 119\***



981990

BA5000\*



**BACK GATE 7 BARS SMALL ANIMALS EX5**

THIS DOCUMENT IS THE EXCLUSIVE PROPERTY OF JOURDAIN SAS, IT IS PROVIDED ON A CONFIDENTIAL BASIS. IT MUST NEITHER BE COPIED, NOR DISCLOSED TO A THIRD PARTY WITHOUT OUR WRITTEN AUTHORISATION

FTB

10/05/2023