

SAC 509*

0941542

N09910*
0941546

0941543

N09903*
7040003

0941499

0942214

N07511*
0942213

0941545

N09960*

N09951*
0942219

0941551

N09905*
0941511

N09904*
0941512

N09906*
0941513

N09956*
0942216

0941557

N07015*
0942202

FE2041*
0260038

N09953*
0942199

N07040*
7040001



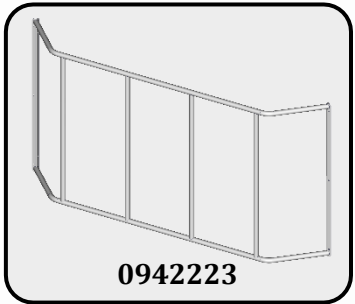
N07510 - FEEDER ADULT ANIMAL L.2.50M

THIS DOCUMENT IS THE EXCLUSIVE PROPERTY OF JOURDAIN SAS, IT IS PROVIDED ON A CONFIDENTIAL BASIS. IT MUST NEITHER BE COPIED, NOR DISCLOSED TO A THIRD PARTY WITHOUT OUR WRITTEN AUTORISATION

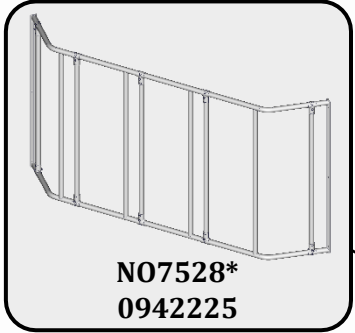
FTB

08/02/2024

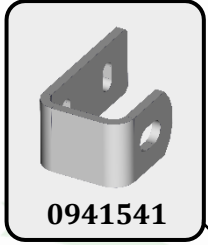
SAC 557*



0942223



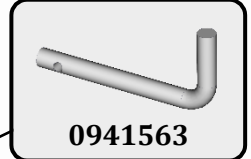
N07528*
0942225



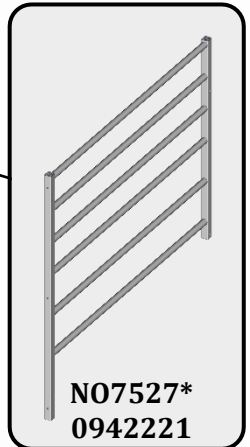
0941541



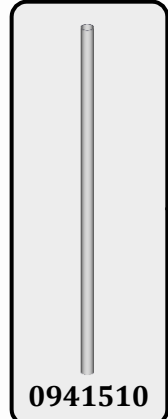
0941564



0941563



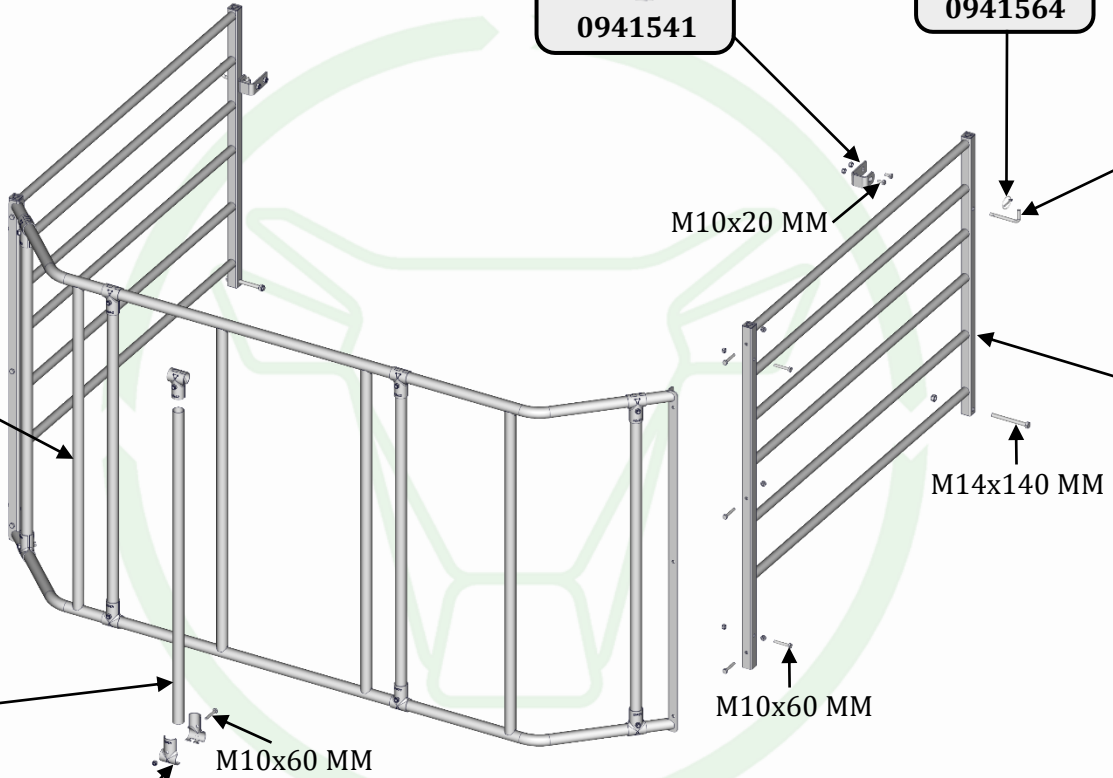
N07527*
0942221



0941510



AT0201*



N07525 - CREEP FEEDER PEN L.2.70M
THIS DOCUMENT IS THE EXCLUSIVE PROPERTY OF JOURDAIN SAS, IT IS PROVIDED ON A CONFIDENTIAL BASIS.
IT MUST NEITHER BE COPIED, NOR DISCLOSED TO A THIRD PARTY WITHOUT OUR WRITTEN AUTHORISATION

FTB
04/09/2023