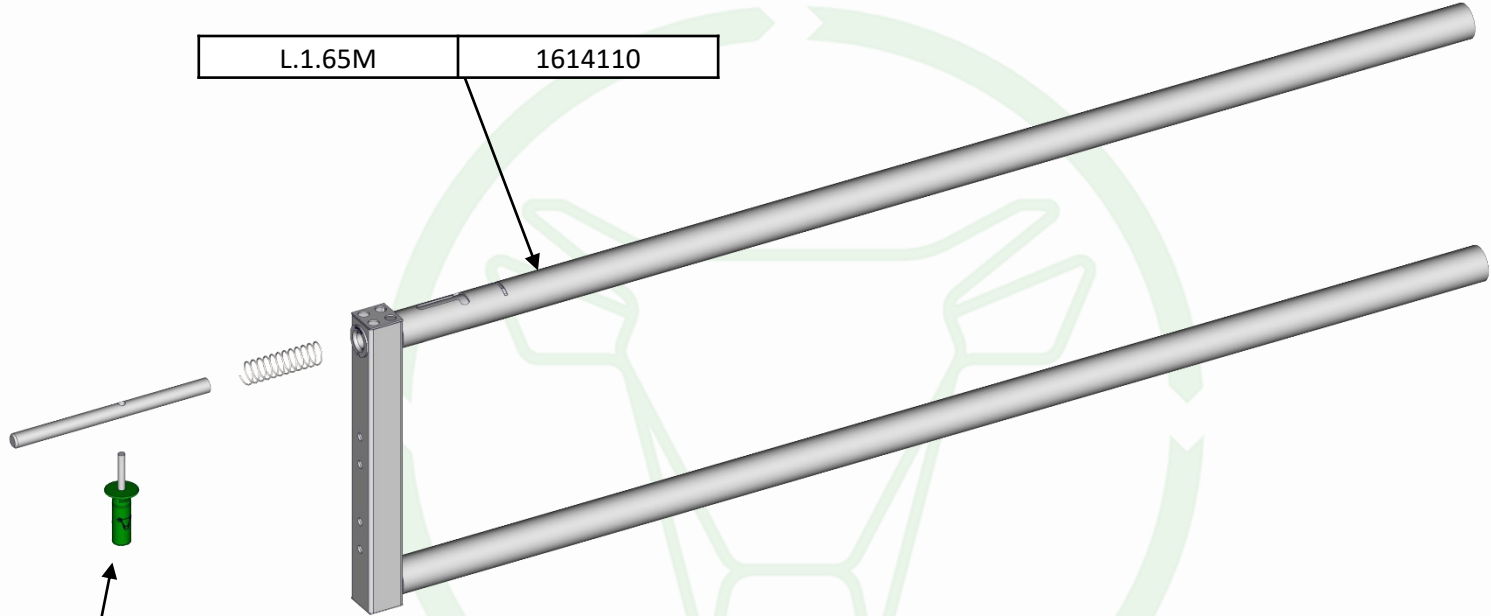
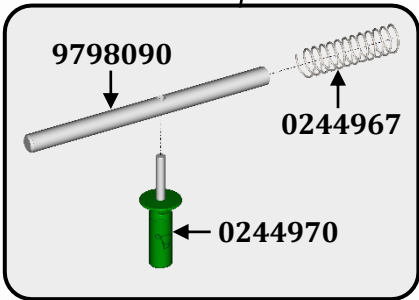


L.1.65M 1614110



SAC 180*



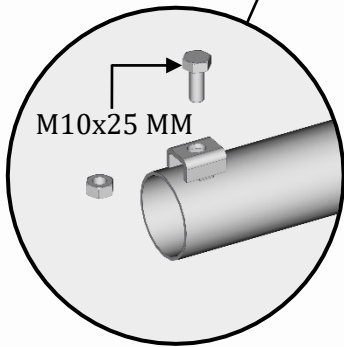
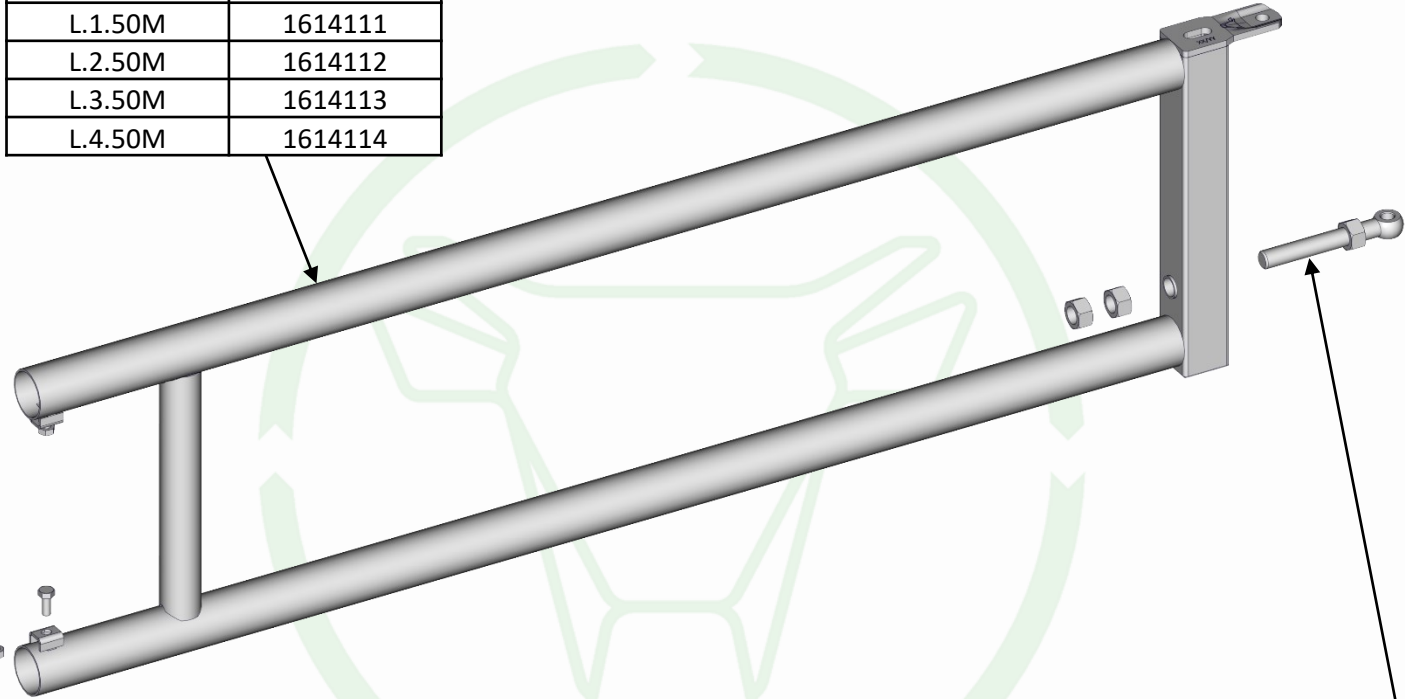
FRONT GATE AUTOLOCK EX2

THIS DOCUMENT IS THE EXCLUSIVE PROPERTY OF JOURDAIN SAS, IT IS PROVIDED ON A CONFIDENTIAL BASIS.
IT MUST NEITHER BE COPIED, NOR DISCLOSED TO A THIRD PARTY WITHOUT OUR WRITTEN AUTHORISATION

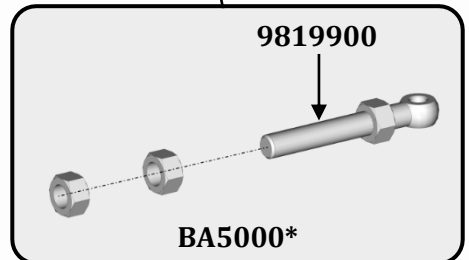
FTB

23/02/2024

L.70CM	1614109
L.1.50M	1614111
L.2.50M	1614112
L.3.50M	1614113
L.4.50M	1614114



SAC 171*



BACK GATE EX2

THIS DOCUMENT IS THE EXCLUSIVE PROPERTY OF JOURDAIN SAS, IT IS PROVIDED ON A CONFIDENTIAL BASIS.
IT MUST NEITHER BE COPIED, NOR DISCLOSED TO A THIRD PARTY WITHOUT OUR WRITTEN AUTORISATION

FTB

15/04/2024