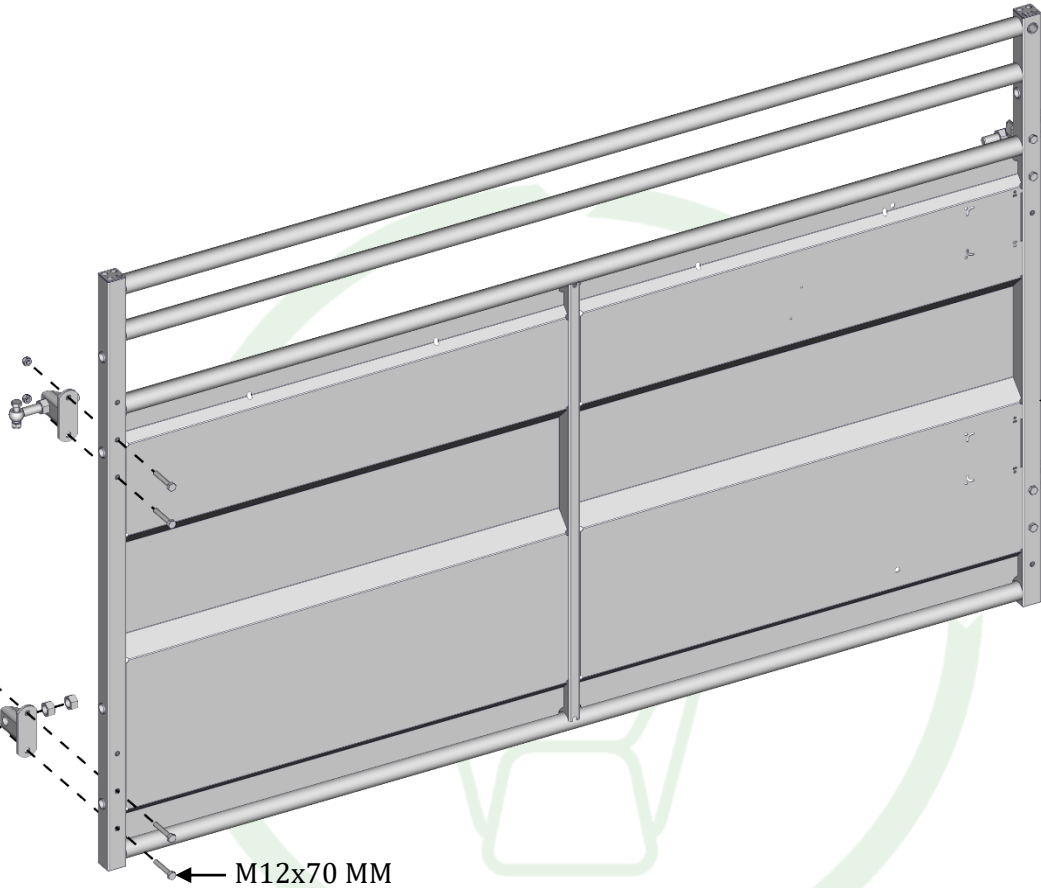
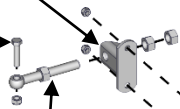
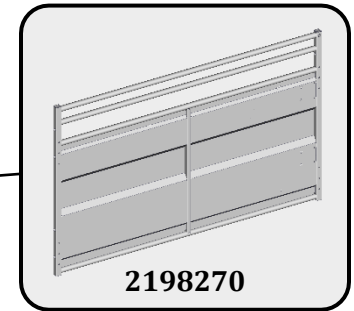


2199518

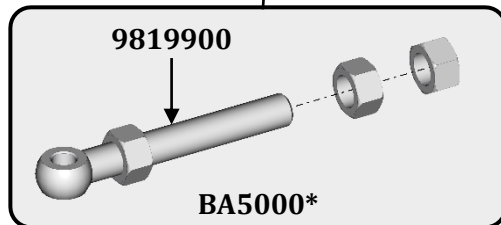
M14x60 MM



M12x70 MM



2198270



981990

BA5000*

SAC 600*



CO3025 - FIXED SHEETED BARRIER L.2.78M CONTENTION PREMIUM

FTB

THIS DOCUMENT IS THE EXCLUSIVE PROPERTY OF JOURDAIN SAS, IT IS PROVIDED ON A CONFIDENTIAL BASIS. IT MUST NEITHER BE COPIED, NOR DISCLOSED TO A THIRD PARTY WITHOUT OUR WRITTEN AUTHORISATION

20/02/2025